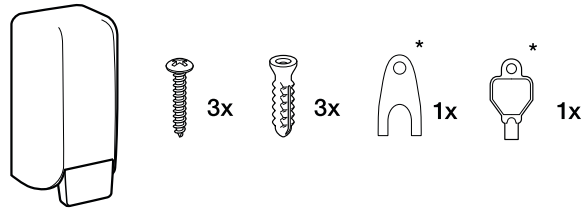


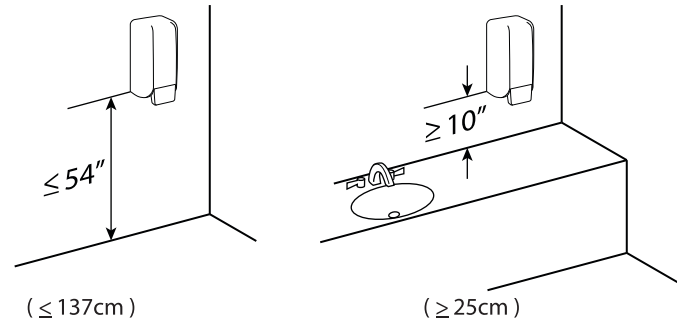
# MANUAL FOAM SOAP DISPENSER

## Installation Instructions

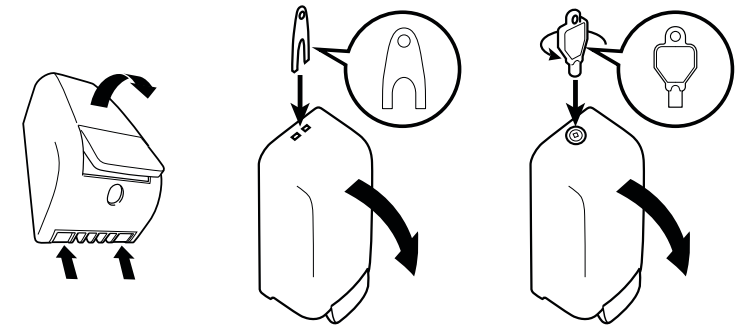


\*may not be included in certain models

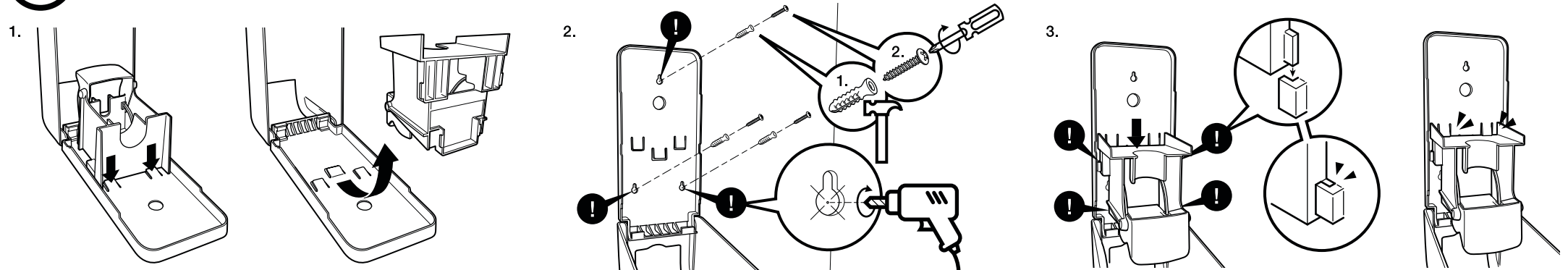
### Recommended Installation Height



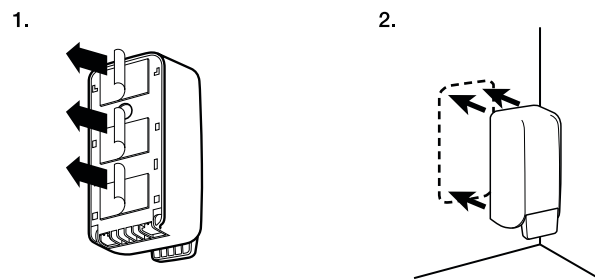
### Open Dispenser



### Installation with Screws



### Installation with Adhesive Backing (no screws)



### Install Cartridge

