



ASSEMBLY INSTRUCTIONS

STRAIGHT GRAB BAR WITH

G57 SERIE



STANDARD ADA



RECYCLABLE AND RECYCLED PRODUCT

CODE		W	lbs
G57JAS01		12"	450 lbs
G57JAS02		16"	450 lbs
G57JAS03		18"	450 lbs
G57JAS04		24"	450 lbs
G57JAS05		30"	450 lbs
G57JAS06		32"	450 lbs
G57JAS07		36"	450 lbs
G57JAS08		42"	450 lbs
G57JAS09		48"	450 lbs
G57UAS03		18"	450 lbs
G57UAS04		24"	450 lbs
G57UAS07		36"	450 lbs
G57UAS08		42"	450 lbs

lbs = Rated load

= Read this manual carefully and store this manual

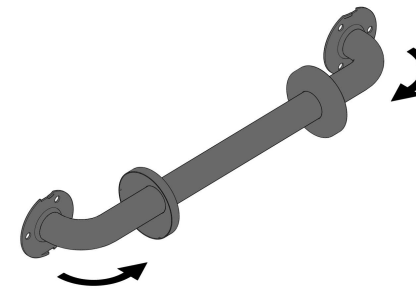
= No percussion

**WARNING!**  
 THE FOLLOWING STEPS REQUIRE DRILLING INTO THE WALL.  
 When drilling into the wall, exercise care to avoid any electrical wiring or plumbing that may be located behind the wall. Damaged electrical wiring can cause electrical shock and/or fire. Since older homes do not always fall in line with current housing codes and requirements, know where internal wall wiring is located so that no wires will interfere with your installation. PROPER INSTALLATION IS EXTREMELY IMPORTANT. IF IN DOUBT, INSTALLATION SHOULD BE DONE BY A QUALIFIED PROFESSIONAL.

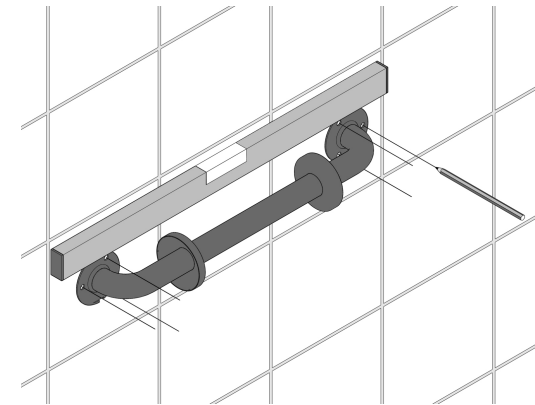
Thank you for purchasing this Ponte Giulio item. This product has been manufactured in respect of the environment and safety requirements.

Ponte Giulio USA, Inc  
 W241 S4021 Rockwood Circle Waukesha  
 WI 53189 – USA  
 Phone +1.877.766.8301 \* fax +1.877.766.8306  
 Web Site: [www.pontegiuliousa.com](http://www.pontegiuliousa.com)  
 Email: [usa@pontegiuliousa.com](mailto:usa@pontegiuliousa.com)

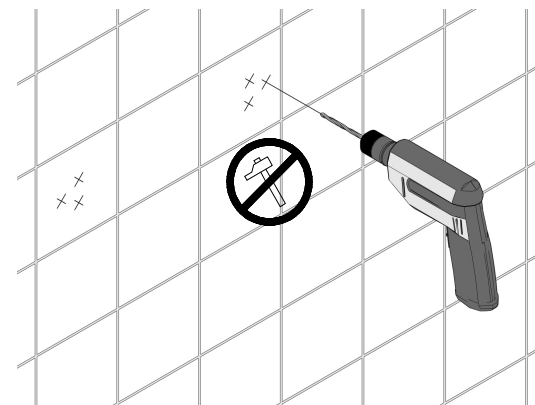
1



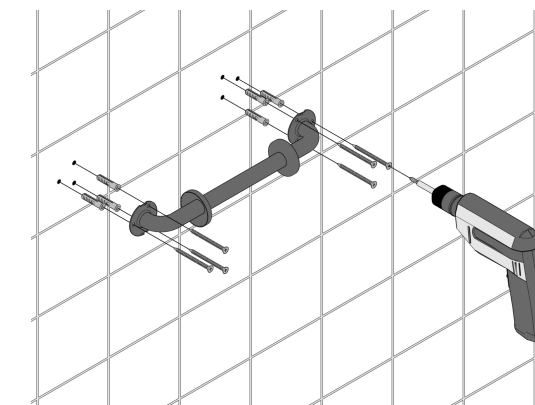
2



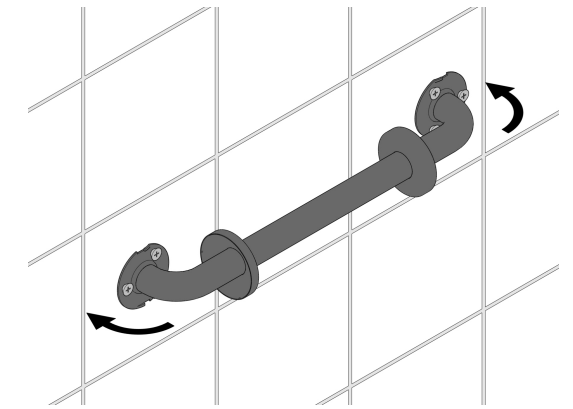
3



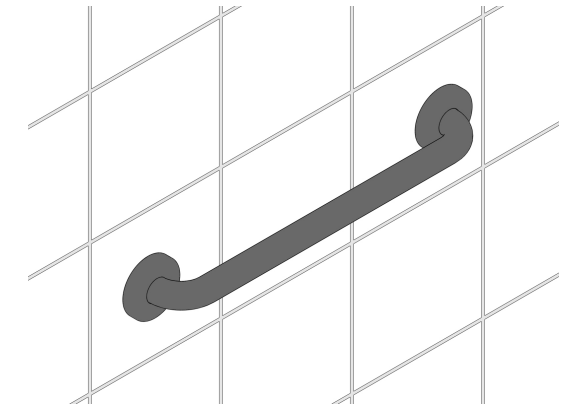
4



5



6



#### LIMITED WARRANTY

If this product fails due to a defect in material or workmanship during the time of periods listed below for each product, Ponte Giulio USA Corp. will replace or repair it free of charge. Simply contact Ponte Giulio at +1 877 766 8301 for replacement information.

#### EXCEPTIONS AND RESTRICTIONS

This warranty does not cover products which have not been installed or used in accordance with the instructions concerning installation and use set forth in the owner's manual or installation instruction, and when the recommendations and warning included are not observed.

This warranty does not cover products that have been modified or dismantled partially or totally, or have been used in a negligent fashion and as consequence has suffered damages attributable to the consumer, individual, or hardware not authorized by Ponte Giulio.

This warranty does not cover products which have been abused, damaged, altered, misused, cut or worn, making substitutions or modifying this product in any way will void your warranty.

This warranty does not cover the damages as a result of disaster such as fire or acts of God, including flooding, earthquake, or electric storms, etc.

#### LIMITATION OF LIABILITY

Other than the limited warranty stated above, to the extent permitted by law, Ponte Giulio disclaims all other implied or express warranties, including all warranties of merchantability and/or fitness for a particular purpose. This warranty is your sole remedy and Ponte Giulio shall not be liable for any damages (whether direct, incidental, special, consequential, exemplary or otherwise, including lost revenues and lost profits) arising out of any theory of recovery, including statutory, contract or tort. Notwithstanding the term of any limited or implied warranty, or in the event that any limited or implied warranty, or in the event that any limited warranty fails of its essential purpose, in no event will Ponte Giulio's entire liability exceed the purchase price of this product, some states and provinces do not allow the exclusion or limitation of incidental or consequential damages so the above limitations or exclusions may not apply to you this limited warranty gives you specific legal rights, and you may also have other rights which vary from state to state and province to province. Ponte Giulio assumes no liability for any personal injury or property damage caused by improper assembly, installation or use of this product.

#### INSTALLATION

To use the most suitable fixing screws according to the various types of walls. Sure that the wall by the fixing plate is perfectly flat, without any protruding joints or tiles, that the wall's structure is suitable for fixing the safety support and that there are no weak points. Only use 3 screws for each fixing plate. The omission or non efficiency of one screw will dangerously reduce the safety support's load resistance. The omission or non efficiency of 2 or more screws does not guaranty the safety support's resistance. The screws in the packaging are suitable exclusively for the following kinds of wall:

WOOD PANEL STUDS

GYPSON / DRYWALL OVER A WOOD STUD,  
PLYWOOD BACKER BOARD

#### CLEANING AND MAINTENANCE

Use a soft cloth, moist, soaked with liquid soap and / or other liquid sanitizing substances.

DO NOT USE abrasive liquid detergents. Chlorine (Bleach), strong acids or basis that does not improve the aseptic aspect of the equipment and could lead to opacity and deterioration of the material.

In case of any doubts, refer to the technical department of Ponte Giulio

*For further information contact the Ponte Giulio technical department*

*Rev.1 – 27.03.2017*