

G55JCR38XX Series Stainless Steel

90° Angle floor to wall stainless steel grab bar with outrigger and concealed flange plates, right handed orientation. 1.25" diameter, 1.2mm wall thickness, 304 stainless steel.

Mounting hardware supplied for wood stud installation.

Product Data

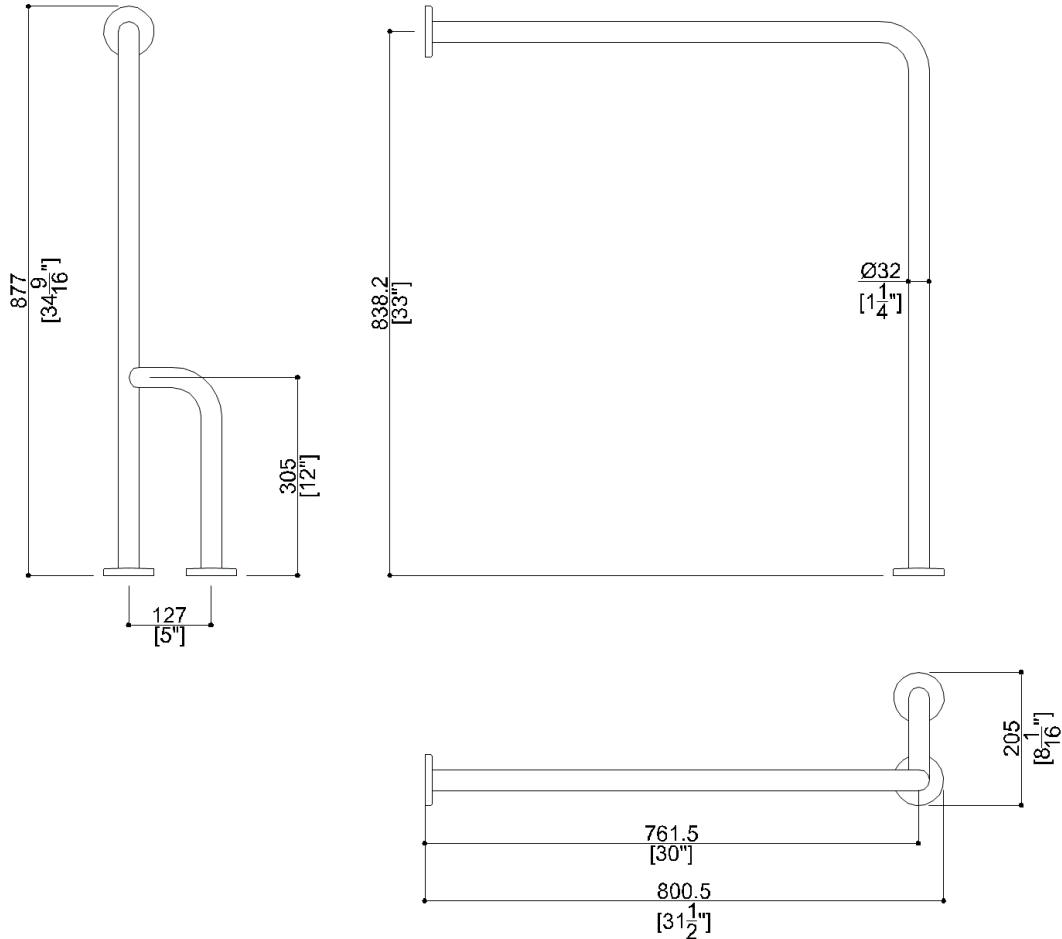
Overall Dimensions (Inch.)	8-1/16 x 31-1/2 x 34-1/2
Net Weight (lbs.)	

Installation Hardware Details

Stainless steel screw

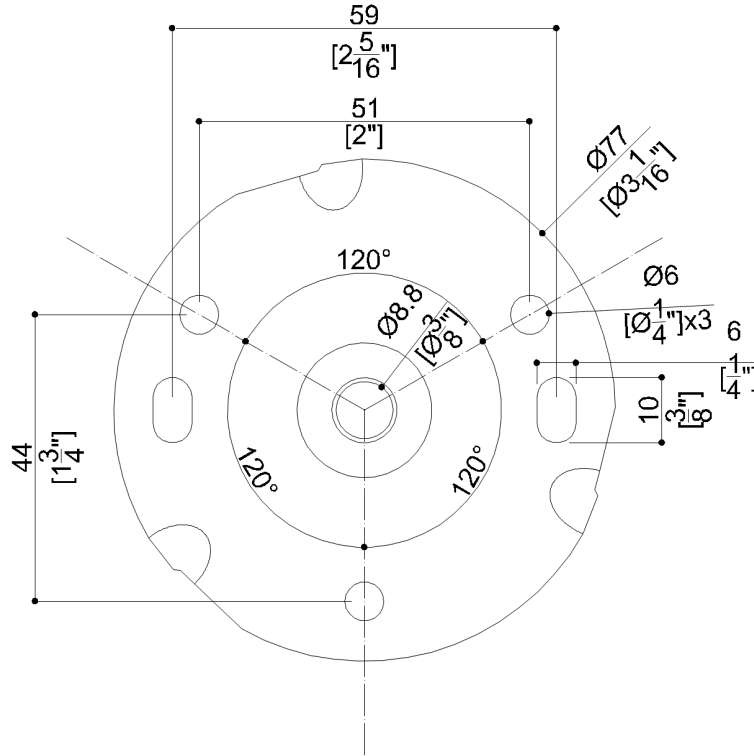
Packaging Details

Package	LDPE bag in cardboard box
Package dimensions (Inch.)	8-1/8 x 31-1/2 x 34-1/2
Weight with Packaging (lbs.)	



G55JCR38XX Series Stainless Steel

AISI304 stainless steel fixing flange



Available Finishes (xx)

- N1 Satin

Load Capacity

Vertical	331 lbs.	Horizontal	88 lbs.
----------	----------	------------	---------

Warning

Before installation and use, read the installation and use instructions in their entirety. If questions arise please contact Ponte Giulio company.

Cleaning

Product can be cleaned with a cloth and warm soapy water. Non abrasive, solvent free cleaners can also be used.

Warranty

Please visit www.pontegiulio.com for complete warranty details.

Materials and finishes

Stainless Steel	N/A.
-----------------	------