

F17AKN03XX Series Nylon

Single hook clothes hanger, made of PA-6

Mounting hardware supplied for wood stud installation.

Product Data

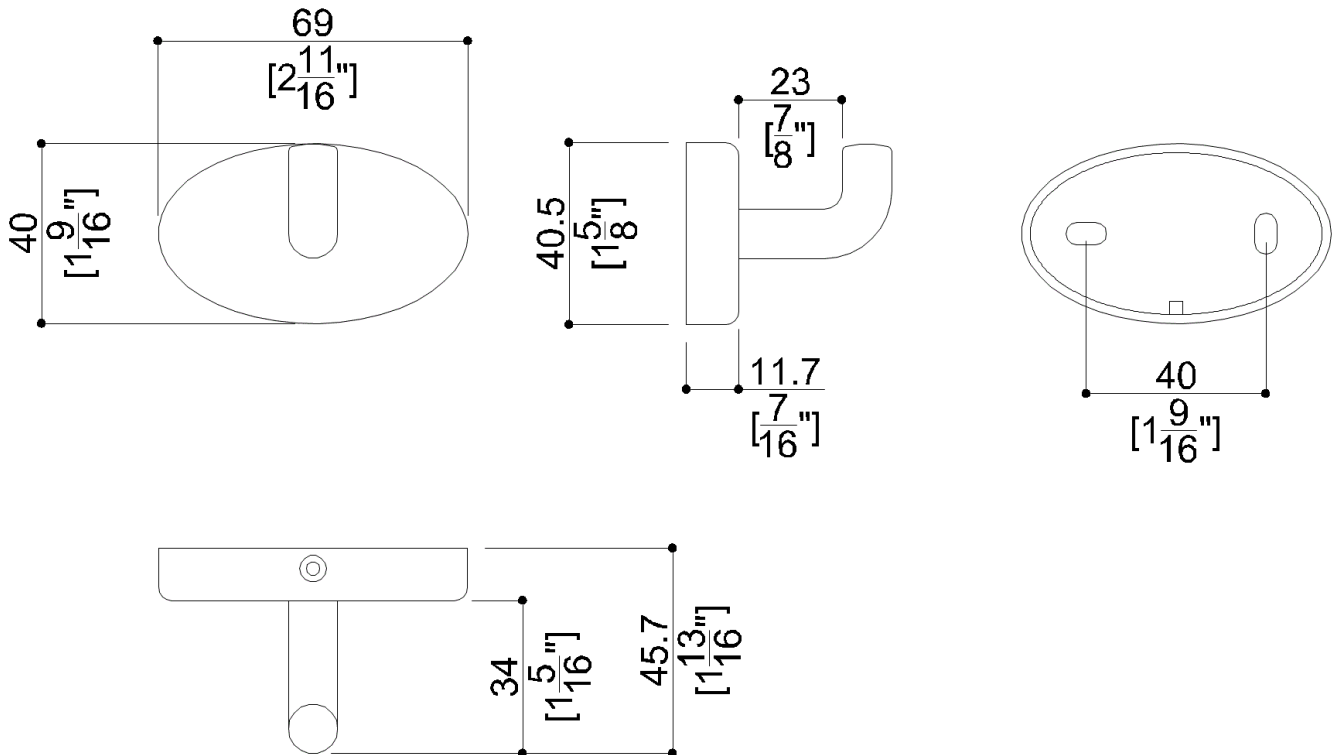
Overall Dimensions (Inch.)	2-11/16 x 1-13/16 x 1-9/16
Net Weight (lbs.)	0.04

Installation Hardware Details

Stainless steel screw and dowels	Fischer SX6 4x38 Inox
----------------------------------	-----------------------

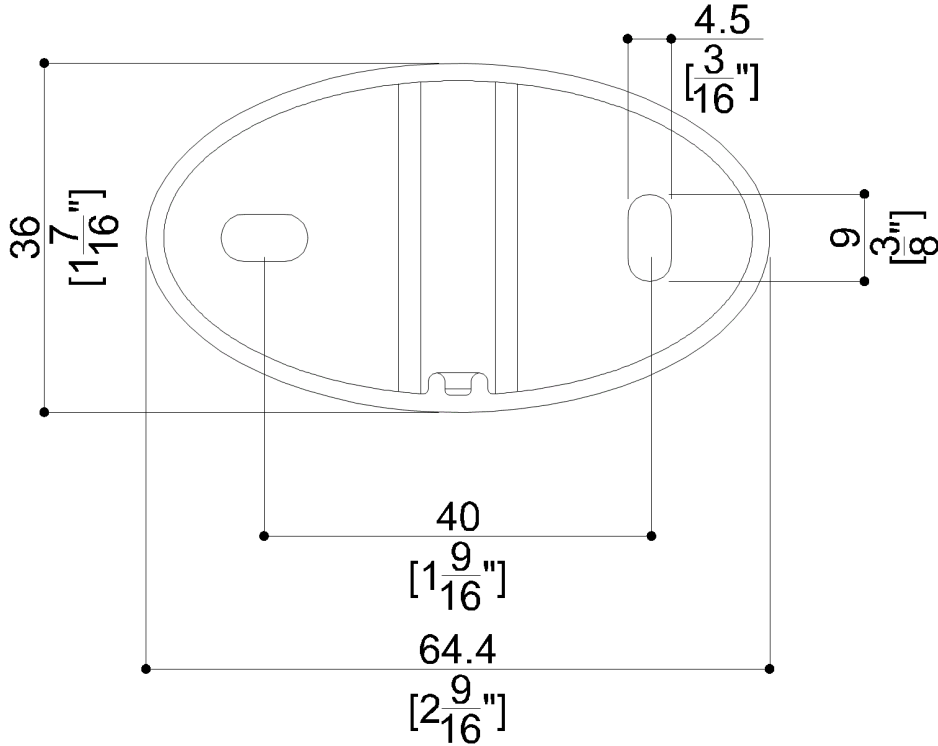
Packaging Details

Package	Cardboard package
Package dimensions (Inch.)	3-5/16 x 2 x 1-5/8
Weight with Packaging (lbs.)	0.15



F17AKN03XX Series Nylon

Nylon fixing flange



Available Finishes (xx)

B1 Blue	B2 Light blue	D1 Black
D2 Greystone	D4 Dark Gray	G1 Green
G2 Light Green	I1 Ivory	I2 Biscuit
P4 Prune	R1 Vivid Red	R7 Ruby red
W1 White	Y1 Yellow Sun	Y3 Light Yellow

Load Capacity

Vertical 22 lbs.

Warning

Before installation and use, read the installation and use instructions in their entirety. If questions arise please contact Ponte Giulio company.

Cleaning

Product can be cleaned with a cloth and warm soapy water. Non abrasive, solvent free cleaners can also be used.

Warranty

Please visit www.pontegiulio.com for complete warranty details.

Materials and finishes

Polyamide Polished