



Z6915-XL

AquaSense® Battery-Powered Faucet

TAG _____

Architectural & Engineering Specification

Zurn AquaSense® faucets are ideal for high-use applications where durability and hands-free operation are necessary. ADA compliant, battery-powered, polished chrome-plated cast brass sensor faucet with infrared proximity sensor for retrofit and new construction. Unit is furnished with a standard 0.5 GPM aerator and mounting hardware.

Zurn Lead Free (-XL) is the line of durable, high quality brass faucets and fixtures that are designed and manufactured to comply with Section 1417 of the Safe Drinking Water Act (SDWA) which mandates a weighted average lead content of no more than 0.25% of the wetted surface.

Product Features

- Infrared convergence-type proximity sensor
- 30-second time out feature
- Chrome-plated, cast brass body
- In-line filter
- 4 "AA" batteries
- Inlet for a 1/2" ball riser

Suffix Options

- ADM Above-deck mixer
- H4 Wrist blade handle for above-deck mixer
- MV Temperature mixing valve
- SH Supply hoses for mixing valve
- TMV-1 Thermostatic mixing valve for single faucets

Sustainable Power Option

- HYD Hydro-powered

Power Supply Option

- CWB Connector wire for plug-in power converter

Power Supply Accessories (Sold Separately)

- ACA 6-VDC plug-in power converter
- HW6 Hardwired power converter
- MJ Mini junction box

Compliance & Certification

- ASME A112.18.1/CSA B125.1
- ADA compliant
- Low-lead compliant
- WaterSense* compliant



*This device is WaterSense labeled when used with the appropriate flow rate and certified for residential and private restrooms.



Aerator Options

	Flowrate gpm [lpm]	Vandal- resistant	WaterSense* labeled	Outlet type
-E	1.5 [5.7]	✓	✓	Aerator
-F	0.5 [1.9]	✓		Spray
-J	1.5 [5.7]	✓	✓	Laminar
-K	1.0 [3.8]	✓	✓	Laminar
-L	1.0 [3.8]	✓	✓	Aerator
-M	0.35 [1.3]	✓		Spray
-N	0.5 [1.9]	✓		Laminar

Note: For hardwired installations, furnish with the P6000-HW6 power converter.

Note: The P6000-HW6 and P6000-MJ will power up to 8 sensor faucets.

Architectural/Engineering Approval

The information contained in this document is subject to change without notice.
Please contact Zurn for most up to date information.



Z6915-XL

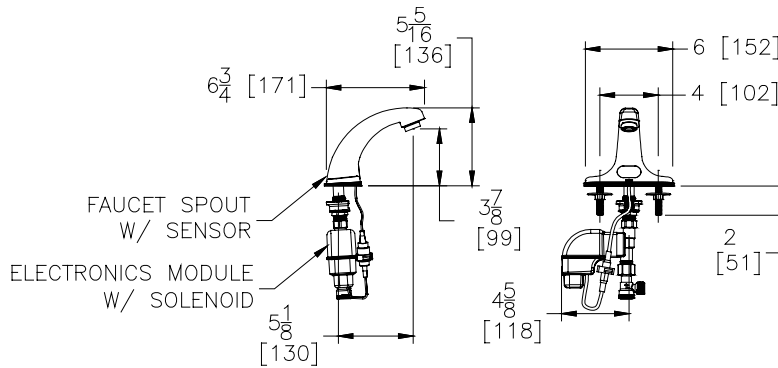
AquaSense® Battery-Powered Faucet

TAG _____

TYPICAL Z6915-XL

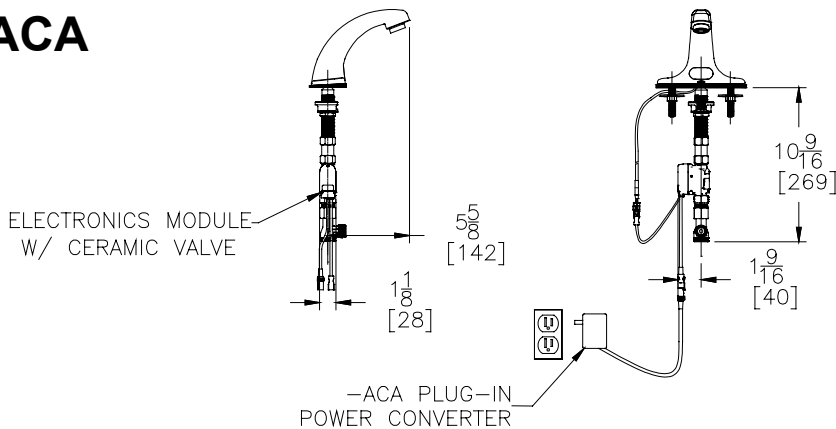
AquaSense Battery Powered Faucet

NOTE: Recommended through hole diameter to properly mount the spout/shank is 1-1/8" to 1-1/4".



TYPICAL Z6915-XL-ACA

AquaSense Plug-In Powered Faucet



TYPICAL Z6915-XL-CWB

AquaSense Hardwire Powered Faucet

Optional:
* Optional -MJ mini junction box for connecting up to 8 faucets

NOTE: MUST USE EITHER ZURN P6000-HW6 HARDWIRE POWER CONVERTER OR ZURN P6000-ACA PLUG-IN POWER CONVERTER TO ENSURE PROPER OPERATION. USING A POWER CONVERTER OTHER THAN ZURN MAY RESULT IN OPERATION MALFUNCTION OR UNIT FAILURE.

