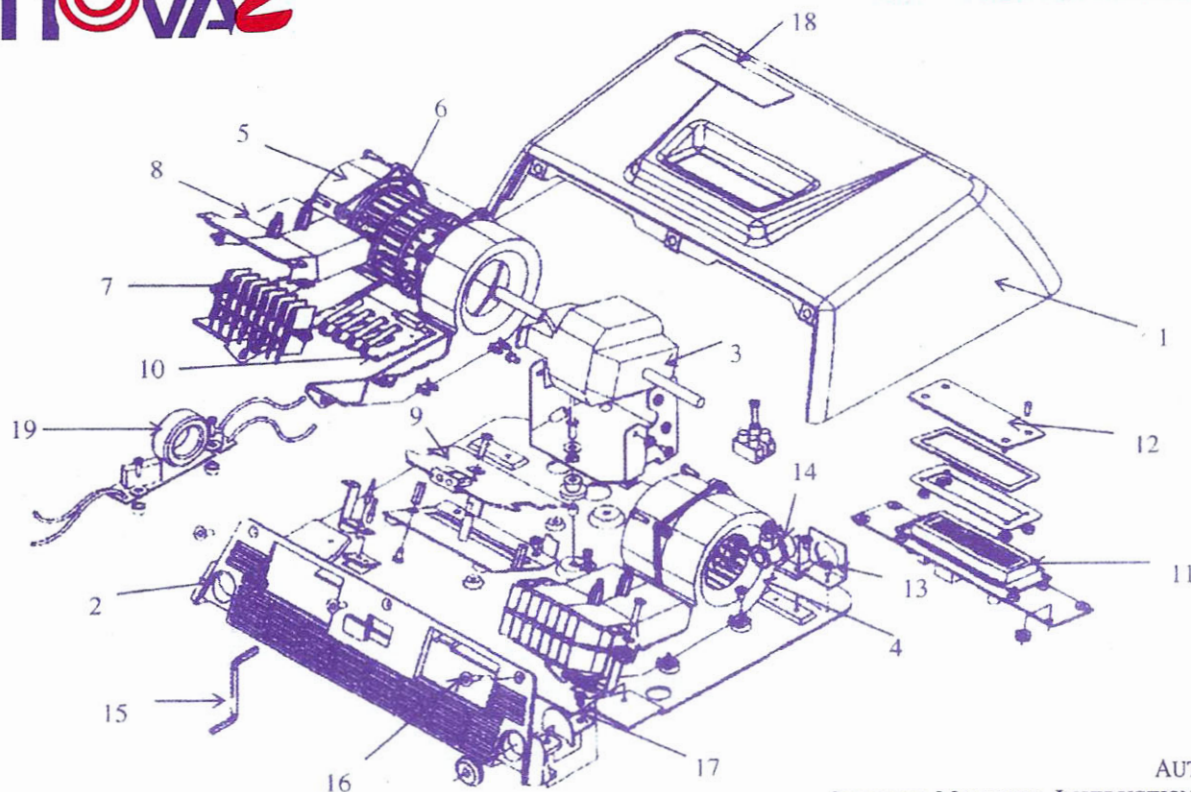




**WARNING: THIS APPLIANCE  
MUST BE GROUNDED !**



AUTOMATIC MODEL  
SURFACE MOUNTED INSTRUCTIONS & WARRANTY  
MARCH 2003

KEY PART#	DESCRIPTION	KEY PART#	DESCRIPTION
1	20-069000K Cover - Porcelain steel - Display option 20-059200K Cover - Porcelain steel - w/o display	10	21-055635K Heating element assembly - (2 per unit)
2	28-056387K Inlet grill, Black	11	71-556445 Liquid crystal display - Display option
3	32-006738K Motor	12	30-056379K Protective lens assembly
4	47-006371 Blower housing - Right (2 per unit)	13	33-005870 Conduit bracket
5	47-006372 Blower housing - Left (2 per unit)	14	23-006533 Wire strain relief (Europe only)
6	22-006377 Blower wheel - (2 per unit)	15	56-005880 Tamperproof allen key
7	12-055881 Air outlet baffle - (2 per unit)	16	46-006393 Cover screws
8	47-006373 Blower housing lid - (2 per unit)	17	46-006367 Inlet wall screws
9	16-055568K Circuit board - w/o display 16-056514K Circuit board - Display option	18	38-006391 Logo sticker
		19	51-056564CEK Filter (Europe only) kit

### INSTALLATION

- Place the template against the wall at the desired location. using the chart on the next page to determine the recommended mounting height. When two or more dryers are installed, they should be placed no closer than 60cm (24 inches) from center to center. Mark the location of the four mounting bolt holes and the wire entry hole.
- Use the security hex driver supplied to remove the three cover-mounting screws. Remove the cover from the dryer.
- For recessed wiring, carry the supply wire to the dryer baseplate knockout and attach with an acceptable cable clamp. The dryer requires two conductors for power plus a separate ground wire.
- For surface wiring, remove one of the two knockouts located at the bottom corners of the air intake (see Key #3). Pass the supply wire according to local code, through the knockout and attach it securely to the bracket (Key #16). The bracket may be relocated to the opposite side of the dryer if desired. The dryer requires two conductors for power plus a separate ground wire.
- Attach the mechanism firmly to the wall. For wood walls or wood studs, use No. 16 screws of proper length to ensure 25mm (1") minimum stud penetration. For masonry walls use expansion bolts or anchors for 6mm (1/4") screws of proper length to ensure penetration 6mm (1/4") deeper than anchor. Shim if necessary to ensure that the baseplate is level and flat against the wall.
- Connect the supply wires to the terminal block where indicated. Units with LCD display: Remove the display and disconnect the lead from the main circuit board. Connect the ground wire to the baseplate with the ground screw. Carefully replace the LCD display.
- Replace the cover. Do not overtighten the screws.

NOTE: the security hex driver should be retained by the service engineer and not the user to prevent unqualified servicing.

P/N 39-006568 rev. 03/03

## Troubleshooting



### *If the dryer will not run:*

First ensure that the breaker supplying the dryer is operational.

If it is, disconnect the power and remove the dryer cover. Taking suitable precautions to avoid shock hazard, reconnect the power and check for voltage at the wire leads.

If there is power and the dryer will not run, replace the circuit board.

### *If the dryer cycles by itself, runs all the time, or is not sensitive enough:*

Ensure that there is no obstruction on or in front of the infra-red lens.

Disconnect the power. Remove the dryer cover and the screws holding the circuit board. Ensure that there are no obstructions between the infra-red "eyes" on the circuit board and the lens.

If the problem persists, replace the circuit board.

### *If the elements get hot but the fan motor does not turn:*

Disconnect the power. Remove the dryer cover and check for obstructions in the fan housings.

Damaged fans must be replaced.

If there are no obstructions, replace the motor.

### *If the fan motor runs but one of the elements does not get hot:*

Disconnect the power and remove the dryer cover. Check for loose or damaged wires.

Remove the access cover on the blower housing. Check the element for signs of burning or breakage.

Damaged elements must be replaced.

If the element does not appear damaged, disconnect it at the circuit board and check for continuity across the two element wires. An open circuit indicates damage to the integral temperature limit control. If this is the case, replace the element.

### **Recommended Mounting Heights - cm.(inches)**

From bottom edge of dryer

Men	126	(49)
Women	119	(47)
Children 4-7 years	88	(35)
Children 8-10 years	99	(39)
Children 11-13 years	109	(43)
Children 14-16 years	119	(47)
Disabled	104	(41)

### **Cleaning and Maintenance**

Proper maintenance should be performed on the units at least every 6 months under normal use.

- Disconnect the electrical supply
- Use the security hex driver to remove the three cover-mounting screws
- Remove the cover
- Clean all dust and lint from the interior of the dryer
- Replace the cover. Do not over tighten the screws
- Wipe the cover with a damp cloth. Never use abrasives to clean the cover

**Cleaning and maintenance must be performed by qualified electrical personnel.**

### **WARRANTY**

ALL OF OUR DRYERS ARE DESIGNED AND MANUFACTURED TO PROVIDE YEARS OF DEPENDABLE PERFORMANCE. COMPONENT PARTS ARE GUARANTEED TO BE FREE OF DEFECT IN MATERIAL AND WORKMANSHIP FOR A PERIOD OF FIVE YEARS. THIS GUARANTEE WILL BE HONORED PROVIDED THAT THE DRYER IS INSTALLED AND MAINTAINED IN ACCORDANCE WITH THE INSTRUCTIONS. PARTS DAMAGED DURING THE INSTALLATION ARE THE PURCHASER'S RESPONSIBILITY. THE COMPANY'S WARRANTY COVERS DEFECTS EXCLUSIVELY, AND ONLY LIABILITY FOR THE REPLACEMENT OF DEFECTIVE PARTS WILL BE ACCEPTED. THIS WARRANTY DOES NOT COVER WEAR AND TEAR, OR MISUSE AND ABUSE. TRANSPORTATION, FREIGHT COSTS AND LABOR ARE ALSO EXCLUDED. DEFECTIVE PARTS MUST BE RETURNED PREPAID, ACCOMPANIED BY THE UNIT SERIAL NUMBER, TO THE POINT OF PURCHASE. THIS WARRANTY IS GRANTED SOLELY TO THE ORIGINAL PURCHASER OF THE UNIT, AND IS SUBJECT TO REGISTRATION.