

## HEPA-Filtered VERDEdri®

Refined Acoustics. Superior Features.

Put the hand drying experience first with the solution that delivers it all in one. The next-gen VERDEdri leads in sanitation with hygienic technologies, efficiency, and sound quality.

Users can dry hands completely and confidently with touchless operation. HEPA filtration captures 99.97% of particles, cleaning air before it reaches hands. Antimicrobial technology protects the dryer by inhibiting the growth of bacteria, mold and fungus that can cause stains, odors or deterioration.

Finally, we rounded off performance by cutting down on energy without tacking on time. Users dry their hands in as little as 12 seconds, while only using 3.16 watts-hrs<sup>1</sup>. From there, we turned it down a notch. We refined acoustics 30%, while ensuring comfort.

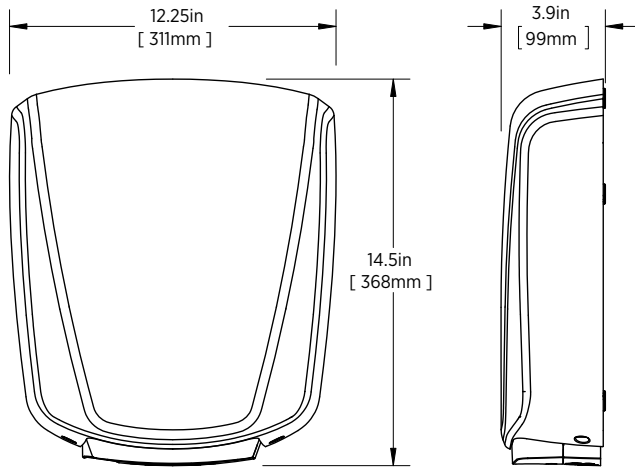
VERDEdri has the upper hand with refined acoustics and superior features.



- +
**Hygienic Features**  
 HEPA filter captures 99.97% of particles<sup>2</sup>. Antimicrobial technology protects the dryer by inhibiting the growth of bacteria, mold and fungus that can cause stains, odors or deterioration.
- 🌿
**Energy Efficient**  
 Optimized technology uses only 3.16 watt-hr per use and costs 32 cents for every 1,000 cycles.
- 🔇
**Refined Acoustics**  
 30% quieter<sup>3</sup> sound level reduces volume for adjacent work areas or sensitive spaces.
- ♿
**ADA Compliant**  
 Surface-mount installation and compact design ensure compliance for walkways and pathways.
- ⚡
**Universal Voltage**  
 Voltage now extends from 120-277V to adapt to any facility.
- 🔄
**More Flexible**  
 Sound control adjusts between three mode settings to accommodate sensitive spaces.
- 🛡️
**Extended Life**  
 High-performance motor lasts 3 times longer than competing models.

# Better for Customers is World's Best

## Specifications



**IP24**



COVER MATERIAL	COVER FINISH / KIT	110-120 V / 208 V / 220-240 V	UNIT WEIGHT	SHIPPING WEIGHT	UNIT SIZE (HXWXD) INCH [MM]	SHIPPING SIZE (HXWXD) INCH [MM]
Aluminum	White	Q-974A2	9.8 lb / 4.4 kg	11.9 lb / 5.4 kg	13.3" x 11.6" x 3.9" [339 x 295 x 100]	14.2" x 16" x 6.7" [360 x 405 x 170]
	Black	Q-162A2				
Stainless Steel	Polished	Q-972A2	11.3 lb / 5.1 kg	13.4 lb / 6.1 kg		
	Brushed	Q-973A2				
Optional Top Entry Adapter Kit	17-10504K		3.8 lb / 1.7 kg	5.2 lb / 2.3 kg	13.4" x 14.3" x 1.2" [339 x 364 x 30]	14.8" x 16" x 4.5" [375 x 405 x 114]
HEPA Filter	93-10490K		0.4 lb / 0.9 kg	0.7 lb / 1.5 kg	7.7" x 3.5" x 2.0" 195 x 90 x 50	8.0" x 4.0" x 3.0" 202 x 101 x 76
Accessory Non-HEPA	93-10506K		0.4 lb / 0.9kg	0.7 lb / 1.5 kg	7.7" x 3.5" x 2.0" 195 x 90 x 50	8.0" x 4.0" x 3.0" 202 x 101 x 76
Coarse Filter	93-10496		0.1 lb / 0.05 kg	0.7 lb / 1.5 kg	7.7" x 2.0" x 0.6" [195 x 50 x 16]	8.0" x 3.0" x 1.0" [202 x 76 x 25]

	110-120 V	208 V / 220 - 240 V	277 V
<b>Amps</b>	8.3	4.1	4.9
<b>Watts</b>	950	950	1150
<b>Hz</b>	50/60	50/60	60



Polished



Brushed



White



Black

Choose a VERDEdri design for your restroom environment. World Dryer puts visionary products within arm's reach.

Sound Level: Sound @ 79 in (2 m): 69 dBA measured in semi-anechoic chamber.

<sup>1</sup> Dryers connected to 277 VAC use 3.83 watts-hrs per use.

<sup>2</sup> 99.97% effective for particles 0.3 µm or larger.

<sup>3</sup> Compared to prior VERDEdri models.

WORLD DRYER CORP. 340 County Line Road, Bensenville, IL 60106, 800.323.0701

Form No. 800-053, 8/2020



WORLD DRYER.COM