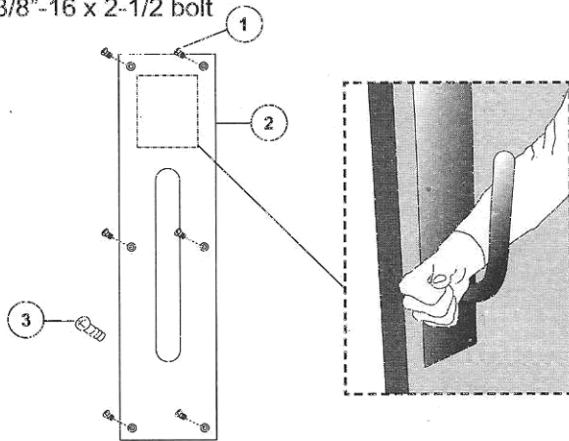


SaniGrasp™ INSTALLATION INSTRUCTIONS



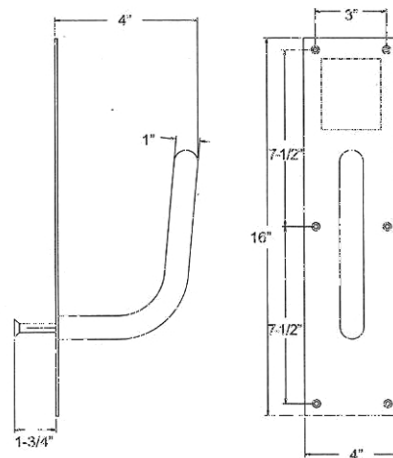
CONTENTS

1. (6) #8 x 3/4" flat head Philips screws
2. (1) SaniGrasp™ model # SG-101
3. (1) 3/8"-16 x 2-1/2 bolt



SaniGrasp™ DIMENSIONS

1. 4" x 16"
2. The furthest point from the handle is 4" from the door



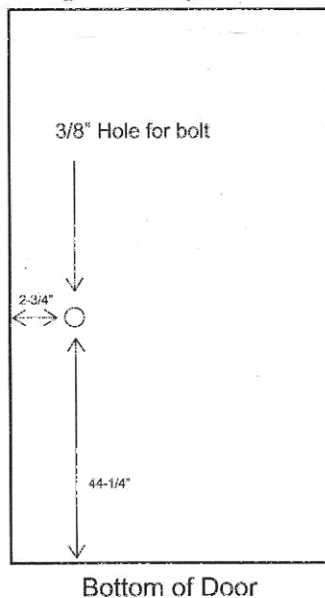
NEW INSTALLATION (Images are not to scale)

1. Mark bolt hole (Figure A)
 - a. 2 3/4" from edge of door
 - b. 44 1/4" from bottom of the door
2. Use a 3/8" bit for bolt hole and countersink the hole so the bolt head is flush
3. Attach bolt (#3) thru the door to the

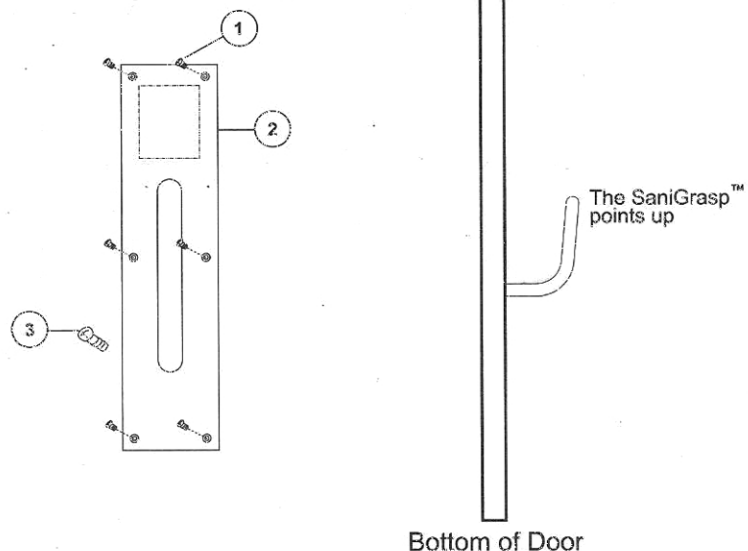
SaniGrasp™ plate (#2)

4. Use a level to assure final plate placement
5. Mark holes on door thru SaniGrasp™ plate
6. Use a 3/32" bit for a pilot hole
7. Attach plate with the included screws (#1)
8. Use a faceplate on the opposite side of the door to cover the bolt head

Figure A - Top of Door



Top of Door



Bottom of Door

IMPORTANT: The spot weld attaching the handle to the mounting plate is **NOT** designed to be used as the main anchor. The through bolt **MUST** be used and tightened properly. **ALSO:** Reducing the door tensioner to 3 lbs or less pull force and a floor mounted door stop preventing the handle from contacting the wall are strongly recommended, and may affect warranty service if not implemented.

REPLACING AN EXISTING "PULL" HANDLE

Verify the SaniGrasp™ plate holes align with the existing holes, from the previous plate. If they do not follow the NEW INSTALLATION instructions.

1. Use a 3/8" bit for bolt hole to widen the existing bottom bolt hole and countersink the hole so the bolt head is flush
2. Attach bolt (#3) thru the door to the SaniGrasp™ plate (#2)
3. Use a level to assure final plate placement
4. Mark holes on door thru SaniGrasp™ plate
5. Use a 3/32" bit for a pilot hole
6. Attach plate with the included screws (#1)
7. Use a faceplate on the opposite side of the door to cover the bolt head