

KT0016HCS / KT0016HCSB

General Description

- Kit to recess the BabyMedi horizontal baby changing station to the wall.
- This kit to recess the BabyMedi horizontal baby changing station allows the changing table to be completely flush with the wall once it is closed, not taking up unnecessary space and thus allowing the creation of more open spaces free of obstacles.
- Possibility of combining finishes between the kit for recess and the baby changing station.
- Maximum robustness and vandal-proof design.
- Excellent integration and aesthetic level

Components & Materials

- KT0016HCS: kit for recessing into the wall the BabyMedi horizontal baby changing stations CP0016HCS or CP0016HCSB by Mediclinics. Made of AISI 304 stainless steel with a satin finish.
- KT0016HCSB: kit for recessing into the wall the BabyMedi horizontal baby changing stations CP0016HCS or CP0016HCSB by Mediclinics. Made of AISI 304 stainless steel with a matte black finish.
- WALL BOX: 0.031" mm thick, made of AISI 304 stainless steel with satin finish (KT0016HCS) or matt black finish (KT0016HCSB), with 4 Ø 0.3" mm side holes to fix the changing table to the hole in the wall.
- FRAME: integrated into the same wall box, 0.8mm thick, made of AISI 304 stainless steel with a satin finish (KT0016HCS) or a matte black finish (KT0016HCSB).
- SCREWS: for wall mounting are not included. It is recommended the use of stainless steel screws and specific for the type of wall where the installation will be made.

Technical Specifications

Dimensions	L:36 1/4" x W:4" x H:27 1/8"
Wall hole dimensions	L:34 41/64" x W:3 57/64" x 25 33/64"
Wall box thickness	0.031"
Frame thickness	0.031"
Net weight	14 Lbs.

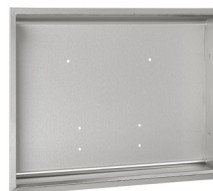
Mounting

Fix the kit with the most suitable screws for the type of wall, through the holes on the side of the mounting chassis, to the wall, at the points indicated with an "S" in the following figure and always following, step by step, the mounting instructions you will find in the "Installation and Assembly Manual" provided with the unit.

When installing the recessed kit, keep in mind that the bottom of the changing table must be at a height of approximately 31 1/2" mm from the ground.

Warning: Before installation please refer to the supplied installation manual as to ensure the unit will function properly and safely, it must be installed in accordance with these instructions.

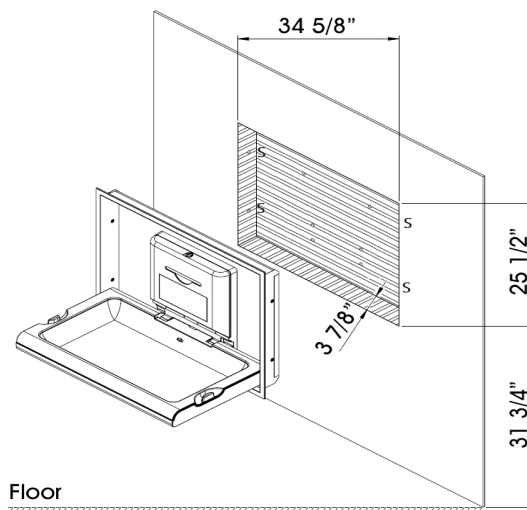
Please mark the selected item



code
KT0016HCS
material
AISI 304 stainless steel
finish
satin



code
KT0016HCSB
material
AISI 304 stainless steel
finish
matte black



Saniflow Corp reserves the right to make changes and/or modifications to the products and their specifications without warning or notice.

For further info please contact SANIFLOW on: Toll free: 1-877-222-9125 or visit our website at www.saniflowcorp.com
Tel: +1 (305) 424 2433 Fax: +1 (305) 424 2435 · sales@saniflowcorp.com

Installation

According to the installation and safety instructions manual supplied with the unit.

IMPORTANT: in order to ensure recessed BabyMedi is properly installed it is recommended that a qualified person carries out the installation of the unit. The unit must be properly installed on a wall that is able to sustain a considerable weight and can accommodate the supplied installation hardware.

Ideal location

Public spaces such as, shopping centers, airports, public buildings, childcare centers, etc. Models suitable for high traffic facilities with high strength and durability.

IMPORTANT: the Congress of the United has taken a further step towards gender equality by implementing law 114-235 (10/07/2016). By this law, the American Government states that restrooms, both for men and women, in public buildings all around the country, must have diaper changing facilities in place.

Guide specification

Kit to recess the BabyMedi horizontal baby changing station to the wall. This kit to recess the BabyMedi horizontal baby changing station allows the changing table to be completely flush with the wall once it is closed, not taking up unnecessary space and thus allowing the creation of more open spaces free of obstacles.

Possibility of combining finishes between the kit for recess and the baby changing station.

Maximum robustness and vandal-proof design.

Excellent integration and aesthetic level

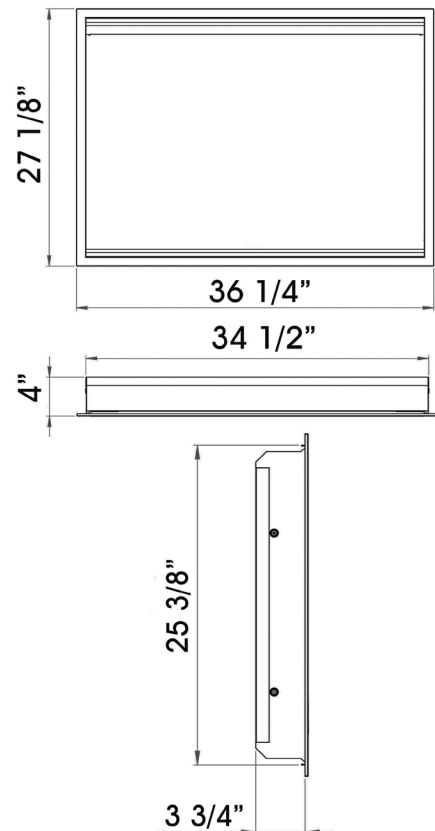
Overall dimensions:

L:36 1/4" x W:4" x H:27 1/4"

Net weight: 14 Lbs.

DIMENSIONS

KT0016HCS / KT0016HCSB



Job:

Model number:

Variations:

Architect / Engineer:

Contractor:

Customer / Wholesaler:

City / State / Country:

Date:

Quantity:

Saniflow Corp reserves the right to make changes and/or modifications to the products and their specifications without warning or notice.

For further info please contact SANIFLOW on: Toll free: 1-877-222-9125 or visit our website at www.saniflowcorp.com

Tel: +1 (305) 424 2433 Fax: +1 (305) 424 2435 · sales@saniflowcorp.com