

TD0235

# InSpire Electronic Hands Free Roll Towel Dispenser



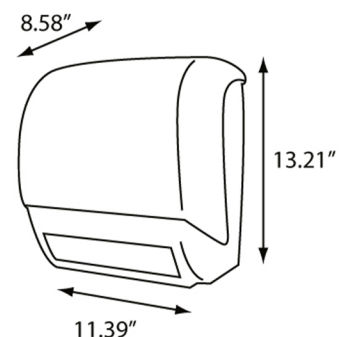
## FEATURES



- Economically designed - small footprint, simple operation
- Lower waste with a reliable dispense of an 11" sheet with every cycle
- Sophisticated sensor - automatically dispenses when hand is placed over the sensor
- Includes a stub roll feature, making for more precise control of paper consumption
- Operates on 4 "D" sized LR-20 alkaline batteries
- Optional AC/DC Adaptors available

## SPECIFICATIONS

Model #	TD0235-01 (Dark Translucent)		
	TD0235-02 (Black Translucent)		
	TD0235-03 (White Translucent)		
Dimensions	11.39" W x 13.21" H x 8.58" D		
Weight	4 lbs	Case Pack	1 per case - .75 <sup>3</sup>
Capacity	8"W & 8"D (1½" Core)	Key Type	1



## AVAILABLE COLORS

Dark Translucent Cover  
with a Beige Back



Dark Translucent Cover  
with a Black Back



White Translucent Cover  
with a Beige Back



Ph: 800.558.8678  
Ph: 920.884.8698  
Fax: 920.884.8699  
info@palmerfixture.com



Palmer Fixture  
P.O. Box 10887  
Green Bay, WI 54307  
www.palmerfixture.com