

TD0201

Mechanical Auto-Cut Towel Dispenser



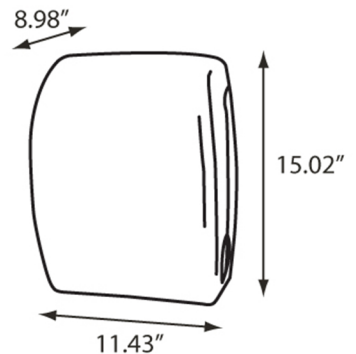
FEATURES



- Touchless, hands-free operation with a quick, smooth paper delivery
- Accommodates most non-perforated roll towels up to 8.0" wide and 8.0" diameter
- Low pull force virtually eliminates tabbing
- Emergency feed assists in paper advance if needed
- Double latch lock prevents tampering and theft
- Designed for maximum strength and durability with impact-resistant materials

SPECIFICATIONS

Model #	TD0201-01 (Dark Translucent) TD0201-02 (Black Translucent) TD0201-03 (White Translucent) TD0201-25 (Blue Translucent) TD0201-26 (Red Translucent)		
Dimensions	11.43" W x 15.02" H x 8.98" D		
Weight	4.50 lbs	Case Pack	1 per case - .92' ³
Capacity	8"W & 8"D (1 1/2" Core)	Key Type	1



AVAILABLE COLORS

- Dark Translucent Cover with a Beige Back 
- Dark Translucent Cover with a Black Back 
- White Translucent Cover with a Beige Back 
- Blue Translucent Cover with a Black Back 
- Red Translucent Cover with a Beige Back 

V10.2019

Ph: 800.558.8678
Ph: 920.884.8698
Fax: 920.884.8699
info@palmerfixture.com



Palmer Fixture
P.O. Box 10887
Green Bay, WI 54307
www.palmerfixture.com