



# JUMBO TISSUE DISPENSER | RD0027

## Twin 9" Jumbo Tissue Dispenser

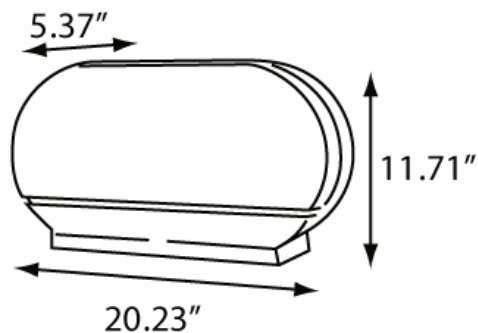
### Product Overview

The RD0027 Twin 9" Jumbo Roll Tissue Dispenser is universal for all brands of 9" jumbo roll tissue. A sliding panel ensures the use of one roll at a time. The double-latch lock prevents theft and waste, while the translucent cover enable easy detection of low paper supply.



### Product Features:

- Universal for all brands of Jumbo Roll Tissue with 3 3/8" cores
- Dispensers with 2 1/4" cores are available by special order
- Translucent cover makes it easy to detect low paper supply
- Double latch lock helps prevent theft and waste
- ADA Compliant



More information and images available online.

MODEL #	COLOR	
RD0027-02	BLACK TRANSLUCENT	02
RD0027-03	WHITE TRANSLUCENT	03
RD0027-02F	BLACK TRANSLUCENT	02
RD0027-03F	WHITE TRANSLUCENT	03

### Specifications:



Dimensions (in)	20.23"w x 11.71"h x 5.37"d
Weight (lb)	2.85 lb
Key Type	1
Capacity	Two 9" Jumbo Roll Tissue
Case Pack	4 (2.85' <sup>3</sup> )
Pallet Qty	96 units