

# BLUSTORM HIGH SPEED HIGH SPEED HAND DRYER

## Stainless Steel Construction

for maximum durability

## Recessed Design

to make the HD0955 ADA Compliant

## Blue Light Technology

allows users to maximize the dryers efficiency

## Wide Drying Area

for an optimal 10-15 second dry time



MODEL: HD0950 & HD0955 | ULTRA SERIES



## MODEL NUMBER & COLOR

HD0950-09, HD0951-09	Brushed Stainless
HD0955-09	Brushed Stainless



## COLOR OPTIONS

 (09) BRUSHED STAINLESS

## TECHNICAL SPECIFICATIONS

**Material:** Stainless Steel

**Motor Type:** Adjustable brush type, dual ball bearings

**Thermal Protection:**

Motor Shuts Off at 275°F (120V), 221°F (240V)  
Heater Shuts Off at 185°F (85°C)

**Operating Airflow:** 32.4-58.9 CFM, Adjustable

**Air Output Temperature:**

131°F (55°C)  
Ambient Temperature 77°F (25°C)

**Sound Level:** 68.2dB

**Isolation:** Class 1

**Drip Proof:** IP31

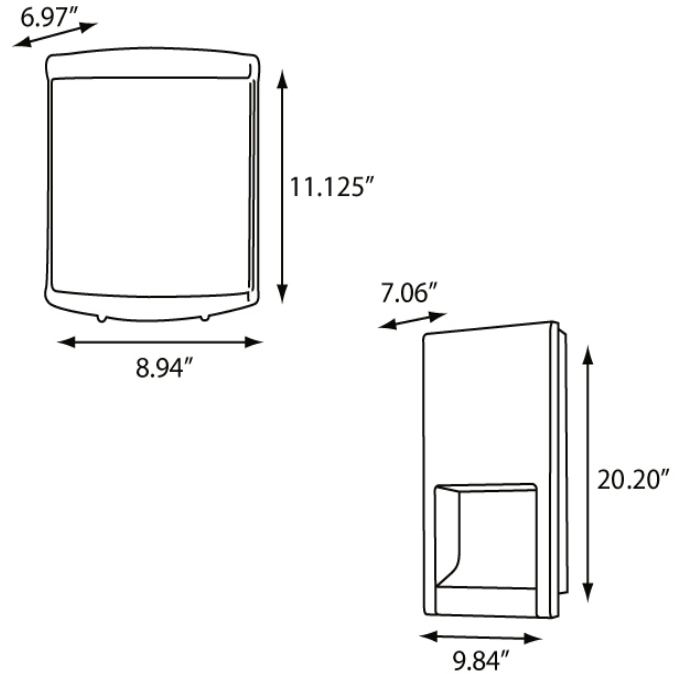
**Watts:** Heater Element 450-700W, Adjustable

**RPM:** 12,000-18,000, Adjustable

**Voltage & Amps:**

HD0950-09	110/120 Volts	12.5-13.4 Amps
HD0951-09	220/240 Volts	8-8.5 Amps
HD0955-09	110/120 Volts	12.5-13.4 Amps

**Mounting:** Surface or Recessed



## MOUNTING HEIGHTS

from bottom of dryer to the finished floor

Men	50"
Women	47"
Children (4-7)	35"
Children (8-10)	39"
Children (11-13)	43"
Children (14-16)	47"
Disabled	40"

## DIMENSIONS & WEIGHT

HD0950 & HD0951

<b>Width:</b>	8.94"
<b>Height:</b>	11.125"
<b>Depth:</b>	6.97"
<b>Weight:</b>	12.1 lbs

HD0955

<b>Width:</b>	9.84"
<b>Height:</b>	20.20"
<b>Depth:</b>	7.06"
<b>Weight:</b>	20.7 lbs



**Phone:** 920.884.8698  
**Toll-Free:** 800.558.8678  
**Fax:** 920.884.8699  
**Email:** info@palmerfixture.com



Palmer Fixture  
PO BOX 10887  
Green Bay, WI 54307  
**Website:** www.palmerfixture.com

V11.2019