

# storm **HIGH SPEED** Hand Dryer<sup>2</sup> **HAND DRYER**

## **LED Sensor**

allows user to maximize the dryers efficiency



## **Antibacterial Coating**

inhibits and reduces the ability for micro-organisms to grow

## **Innovative Absorbent Ceramic Plate (optional)**

captures water runoff and keeps floors safe and dry

## **Adjustable Air Speed**

for customizable settings that will maximize efficiency

## **On/Off Heater Switch**



## **Removable Drip Tray**

optional for high volume areas

## **Super 3-Layer HEPA Filter**

HEPA, carbon, anti-microbial filter eliminates over 99% of airborne bacteria



**MODEL: HD0983 | ULTRA SERIES**



## MODEL NUMBER & COLOR

HD0983-08, HD0984-08,  
HD0985-08 Platinum


HD0983-16, HD0984-16,  
HD0985-16 Black

HD0983-17, HD0984-17,  
HD0985-17 White

## COLOR OPTIONS

 (08) PLATINUM

 (16) BLACK

 (17) WHITE

## TECHNICAL SPECIFICATIONS

**Material:** Polycarbonate ABS (ION+)

**Motor Type:** 1HP, 350-700 Watts

**Thermal Protection:**

Motor Shuts Off at 275°F (135°C)

Heater Shuts Off at 288°F (142°C)

**Operating Airflow:** 19,476 LFM, Adjustable

**Air Output Temperature:**

140°F (60°C)

Ambient Temperature 68°F (20°C)

**Sound Level:** 65dB - 78dB MAX

**Isolation:** Class 1

**Drip Proof:** IP23

**Watts:** 1600W (700W w/ heater off)

**RPM:** 11,000 - 20,000, Adjustable

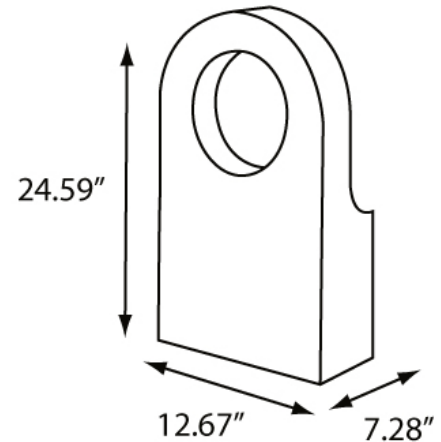
**Voltage & Amps:**

HD0983 110/120 Volts 12.2-13.3 Amps

HD0984 208/220 Volts 5.7-6.6 Amps

HD0985 277 Volts 6.6 Amps  
(special order)

**Mounting:** Surface



## MOUNTING HEIGHTS

from bottom of dryer to the finished floor

**Men** 26-1/6"

**Women** 23-5/64"

**Children (4-10)** 9-59/64"

**Children (11-16)** 15-5/64"

**Disabled** 13-5/8"

## DIMENSIONS & WEIGHT

**Width:** 12.67"

**Height:** 24.59"

**Depth:** 7.28"

**Weight:** 23.8 lbs

## ISTORM EXTRAS

**Filter:** SP098399-002

**Backsplash Kit:** SP098399-050

**Drawer White:** SP098399-003

**Drawer Platinum:** SP098399-004

**Drawer Black:** SP098399-005

**Cover White:** SP098399-012

**Cover Platinum:** SP098399-013

**Cover Black:** SP098399-011

**Drain Tray:** SP098399-029

**Phone:** 920.884.8698

**Toll-Free:** 800.558.8678

**Fax:** 920.884.8699

**Email:** info@palmerfixture.com



Palmer Fixture

PO BOX 10887

Green Bay, WI 54307

**Website:** www.palmerfixture.com

V11.2019