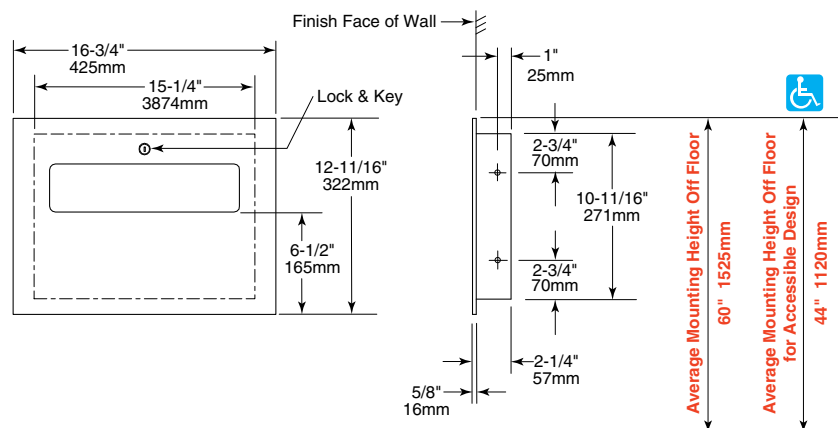




RECESSED COVERALL TOILET SEAT-COVER DISPENSER

TSC-8



Rough Wall Opening
 15-5/8" (395mm) wide
 11-1/4" (286mm) high
 2" (51mm) minimum recessed depth

CONSTRUCTION:

Unit fabricated of type 304 stainless steel with exposed surfaces having a #4 satin-finish. One piece seamless door construction, EXTRA HEAVY 18-gauge (2mm) with 5/8" (16mm) return for rigidity. Door is mounted to cabinet with continuous stainless steel piano hinge and fitted with tumbler lock. All welded construction.

CAPACITY:

Dispenses 500 toilet seat covers.

INSTALLATION:

Provide framed wall opening. Recessed depth required from finish face of wall is 2" (51mm). Check plans and coordinate with mechanical engineers to avoid protrusion from opposite wall, pipes, conduits, electrical wires, etc. If installing in plaster wall, recommend grounding. If installing where unit projects above top of wainscot, provide filler to prevent gap from finished wall and flange of unit. If installing in block walls, use metal expansion shields.

OVERALL DIMENSIONS:

16-3/4" W x 12-11/16" H x 2-1/4" D (425 x 322 x 57mm)

Recessed Coverall Toilet Seat-Cover Dispenser shall be Model TSC-8 of Gamco Commercial Restroom Accessories, One Gamco Place, Durant, OK, 74701-1910