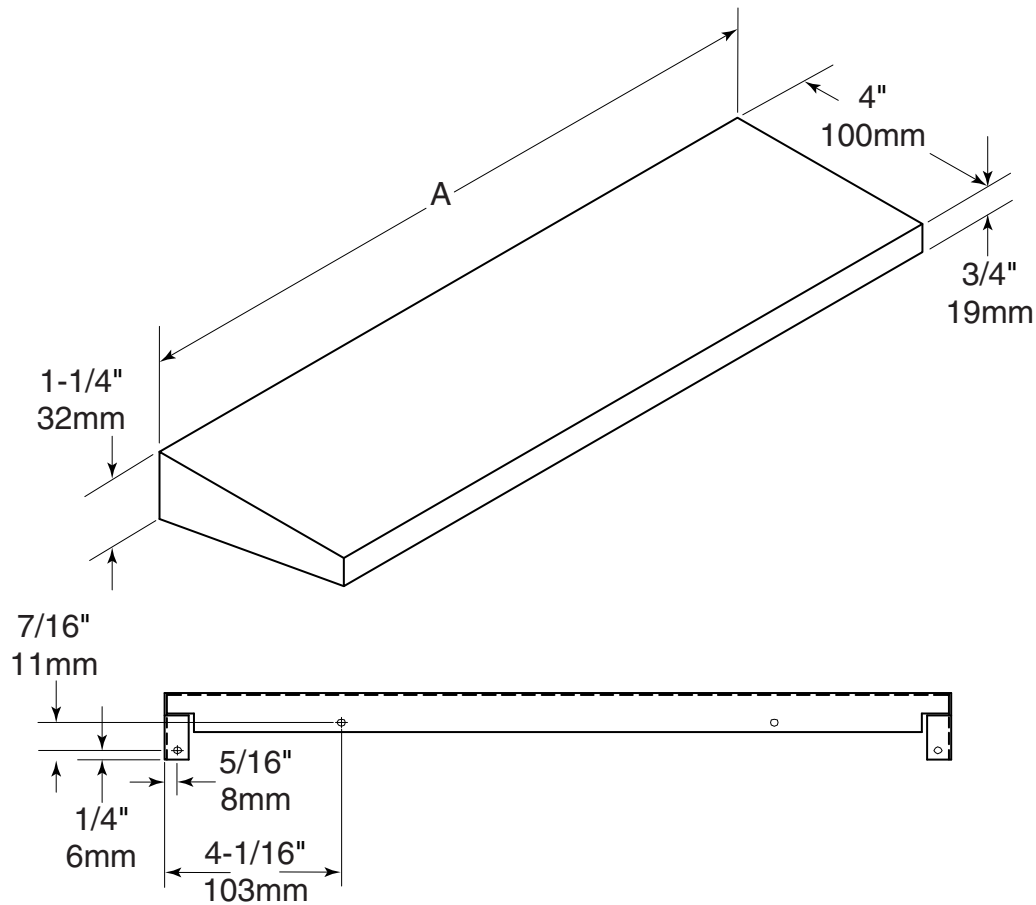




SURFACE-MOUNTED STAINLESS STEEL MIRROR SHELF

MS SHELF



STANDARD SIZES

Model No.	Length - A	Width	Height
MS-18	18" 457mm	4" 100mm	1-1/4" 32mm
MS-24	24" 610mm	4" 100mm	1-1/4" 32mm

MATERIALS:

Shelf - 18-8, type 304, 18-gauge (1.2mm) stainless steel with satin finish, 3/4" (19mm) return edge on front. Front corners of shelf ground and polished smooth. Once mounted properly, mirror shelf meets accessible design, protrudes 4" (100mm) from the wall.

Designer Note:

1. Special-order sizes, up to 60" (1525mm) are available on request.
2. Shelves over 36" (914mm) long will be supplied with a center support.

Surface-Mounted Stainless Steel Mirror Shelf shall be _____ (insert model number) of Gamco Commercial Restroom Accessories, One Gamco Place, Durant, OK, 74701-1910