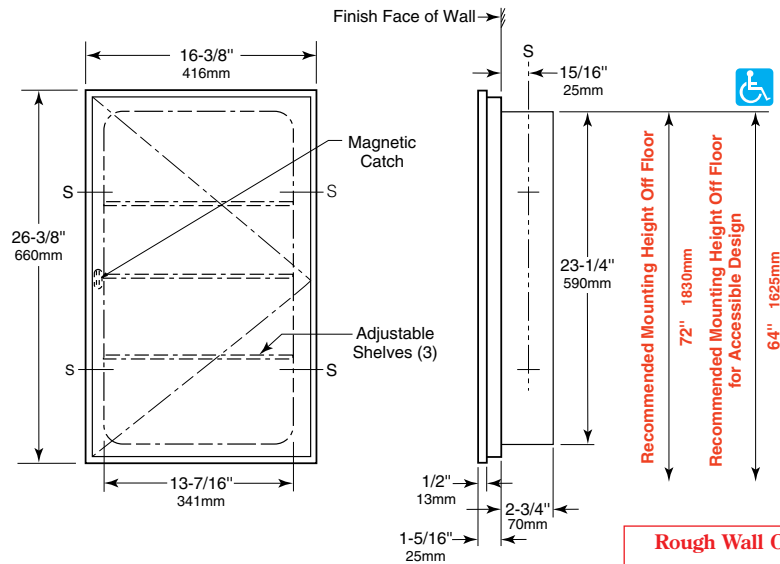




RECESSED STAINLESS STEEL MEDICINE CABINET

Invertible for Right- or Left-Hand Door Swing

MC-1



CONSTRUCTION:

Cabinet — Fabricated of 22-gauge (0.8mm) type 304 stainless steel. All welded construction with exposed surfaces having a #4 satin-finish.

Door — Fabricated of type 430 stainless steel with #4 satin finish.

Mirror — No. 1 quality, 1/8" (3mm) select float glass, electrolytically copper-plated by the galvanic process, and guaranteed for 15 years against silver spoilage. Back is protected by full-size, shock-absorbing padding.

Adjustable Shelves (3) — Clear plastic extrusion. Attach to cabinet by sliding into slots in sides of cabinet. One shelf will have holes on one end to accommodate up to 4 toothbrushes.

OPERATION:

Door is retained by means of a magnetic catch. Shelves can be adjusted by locating in different slots formed on sides of cabinet. One shelf has cutouts to accommodate up to 4 toothbrushes.

INSTALLATION:

Cabinet may be inverted for right- or left-hand door swing. Provide framed rough wall opening 14" wide x 23-5/8" high (355 x 600mm). Minimum recessed depth required from finish face of wall is 3" (76mm). Allow clearance for construction features that may protrude into rough wall opening from opposite wall. Coordinate with mechanical engineer to avoid pipes, vents, and conduits. If unit projects above top of wainscot, provide aluminum channel or other filler to eliminate gap between flange and finish face of wall. If units are installed back-to-back, a sound barrier is recommended between units. Mount cabinet in rough wall opening with shims between framing and cabinet at all points indicated by an S, then secure unit with sheet-metal screws furnished by manufacturer.

SPECIFICATION:

Recessed medicine cabinet shall be fabricated of 22-gauge (0.8mm) stainless steel with all-welded construction with a #4 satin-finish. Door shall have stainless steel channel frame, be secured to cabinet with a stainless steel piano-hinge and equipped with a magnetic catch. Mirror shall be No. 1 quality, 1/8" (3mm) thick select float glass mirror shall be guaranteed against silver spoilage for 15 years and shall be mounted in door. Cabinet shall have three adjustable clear plastic shelves. Unit may be invertible for right- or left-hand door swing. One shelf will have 4 holes to accommodate up to 4 toothbrushes. Razor blade slot located on lower portion of cabinet.

Recessed Stainless Steel Medicine Cabinet shall be Model MC-1 of Gamco Commercial Restroom Accessories, One Gamco Place, Durant, OK, 74701-1910