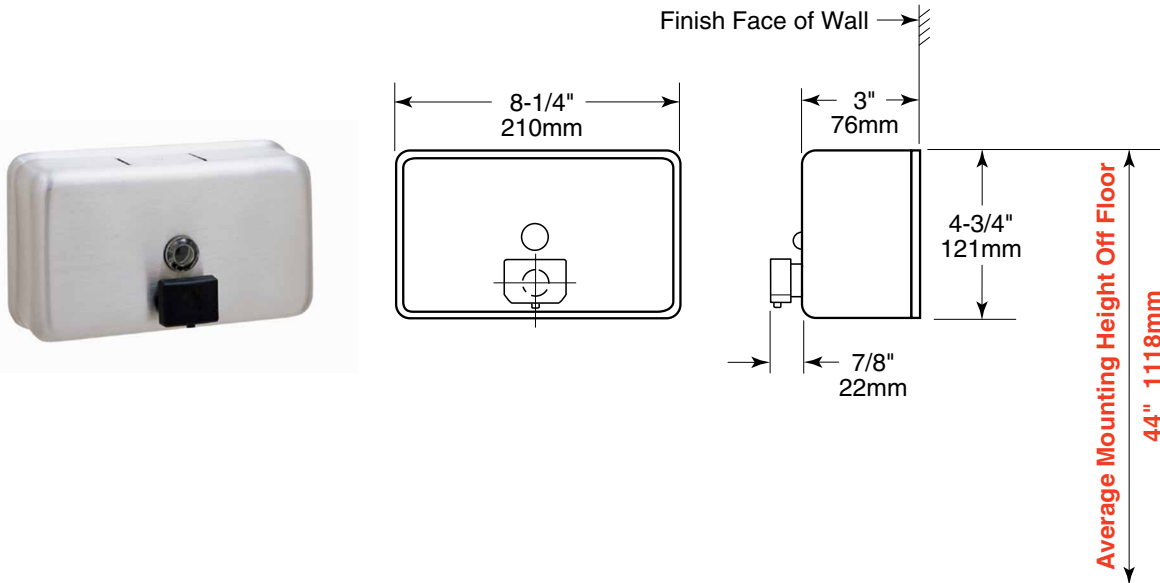


GAMCO
Commercial Restroom Accessories
Technical Data

**SURFACE-MOUNTED
HORIZONTAL TANK-TYPE
SOAP DISPENSER
WITH ALL-PURPOSE VALVE**

G-58AP



CONSTRUCTION:

Stainless steel tank-type soap dispensers have 40-fl oz. (1.2-L) capacity. Units are easily filled from top through locked opening. Satin-finished 22-gauge (.759mm) tanks are welded to stainless steel backs. Unit has concealed backplate and sight level indicator. Valve is black molded plastic push button with antibacterial-soap-resistant plastic cylinder and stainless steel spring.

CAPACITY:

40-fl oz. (1.2-L) of liquid lotion soaps, synthetic detergents and antiseptic solutions. Non-removable filler cap at top of unit is keyed to resist vandalism.

OVERALL DIMENSIONS:

8-1/4" W x 4-3/4" H x 3" D (210 x 121 x 76mm) valve projects 7/8" (22mm).

INSTALLATION:

Unit is surface mounted to wall or partition with a wall mounting plate (supplied) and screws (supplied). Unit is secured to interlocking wedge bracket and locked in place by a screw (supplied) installed through rear wall and accessed thru unlatched hinged refill door. Recommended installation for general utility is 42" (1066mm) AFF or 6" (152mm) minimum above washbasin.

ADA GUIDE:

Mounting location for push button dispensers are 44" (1118mm) maximum above the finish floor. Push buttons and pistons should be operable with one hand and without tight grasping, pinching, or twisting of the wrist. Activation of soap valves should not require more than 5 pounds of force when unit is completely filled.

NOTES:

Wood blocking is preferable behind all wall surfaces. If wood blocking is not available, the following fasteners are suggested:
Tile/Masonry - Plastic or lead anchors
Plaster/Drywall - Toggle bolts

Surface-Mounted Horizontal Tank-Type Soap Dispenser with All-Purpose Valve shall be Model G-58AP of Gamco Commercial Restroom Accessories, One Gamco Place, Durant, OK, 74701-1910