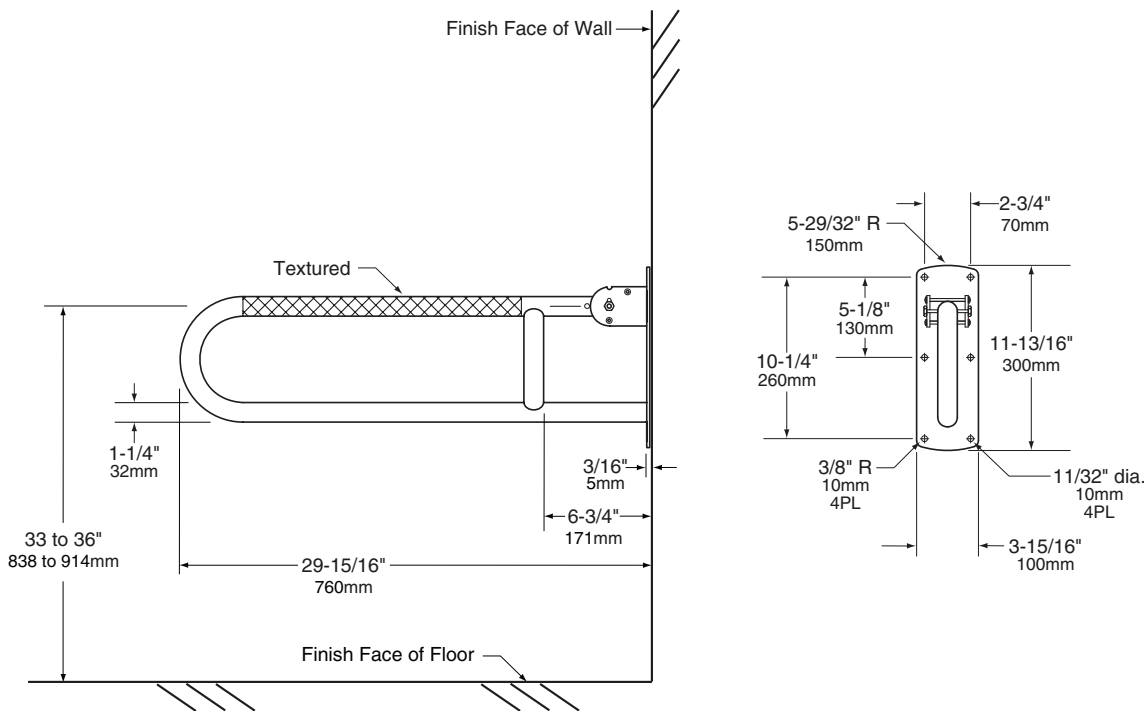




1 1/4" (32mm) DIAMETER SWING UP GRAB BAR

125 CONFIGURATION



CONSTRUCTION:

Tube - Fabricated of type 304 stainless steel and assembled into a swivel hinge. Exposed surfaces polished to a #4 satin-finish and knurled grip. Detent holds bar in vertical position.

Back Plate - 3/16" (4.5mm) thick, one piece stainless steel design.

MOUNTING:

Unit absolutely must be secured to in-wall reinforcement backing. Unit is attached with (4) bolts with a minimum 1/4" (6mm) diameter. Mounting bolts not furnished. Screws (not furnished).

SPECIFICATIONS:

Grab bars have been designed and tested to withstand 500 lbs. downward pull when properly installed. This exceeds HUD, HEW, FHA, VA, and other Federal, State, and local codes, including the Americans with Disabilities Act (ADA).

Swing Up Grab Bar shall be Model 125 of GAMCO Commercial Restroom Accessories, One Gamco Place, Durant, OK, 74701-1910