



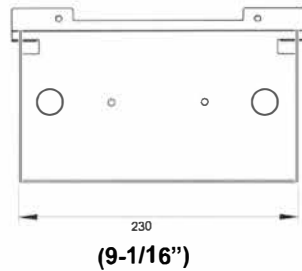
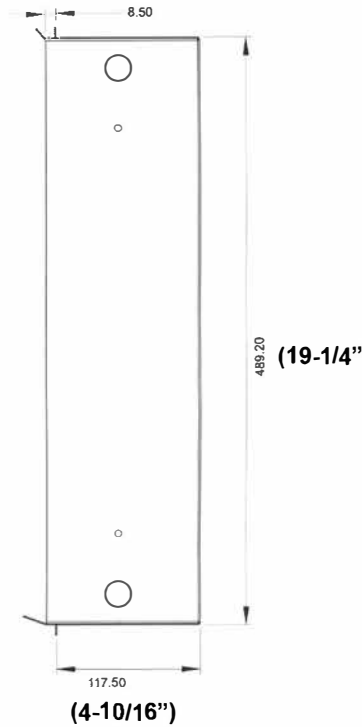
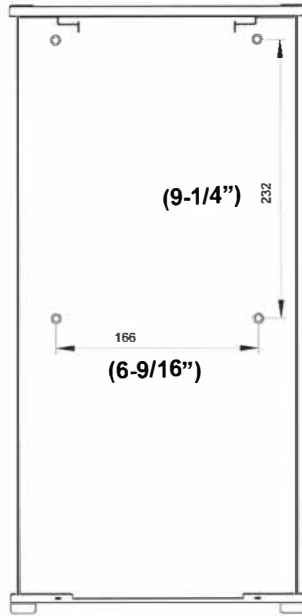
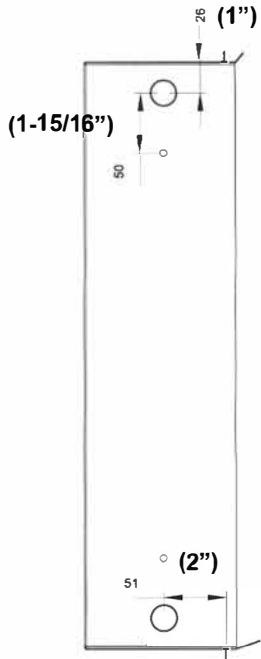
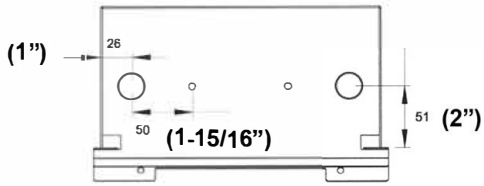
Automatic
Hand dryer

Mounting Instruction

High Speed Hand Dryer Semi-Recessed Type

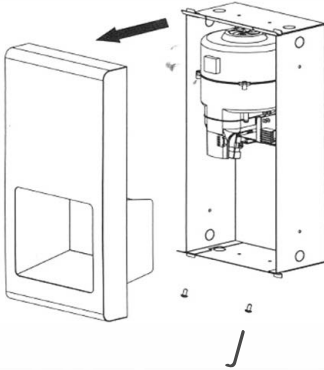
Diagram:

Rough wall opening: 235 x 495 x 123 mm
(9-1/4" x 19-1/2" x 4-13/16")

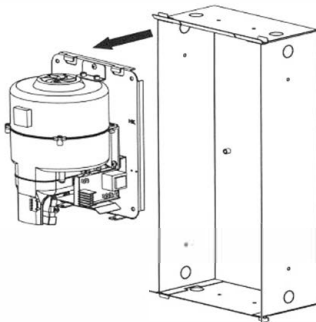


Installation:

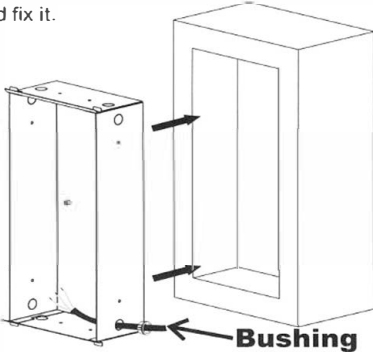
1. Remove the front cover from the recessed box.



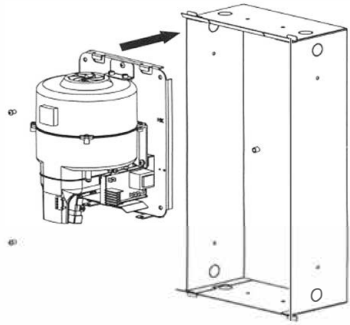
2. Remove the main unit from the recessed box.



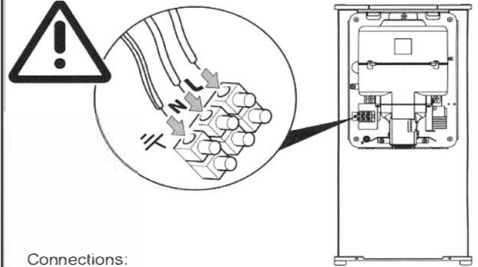
3. Insert the bushing into the side hole of the recessed box. Insert the recessed box into the wall and fix it.



4. Attach the main unit back to the recessed box.



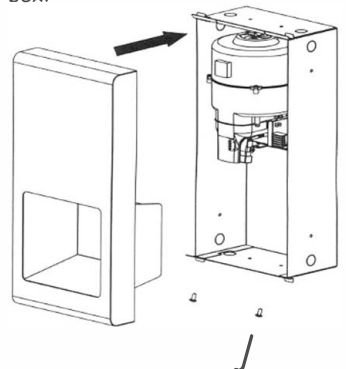
5. The wire connections are as follows :



Connections:

- A. Connect the live wire (colored red or brown) to the terminal block marked "L".
- B. Connect the neutral wire (colored black or blue) to the terminal block marked "N".
- C. Connect the ground wire (colored green and yellow) to the green screw marked "⊕".

6. Attach the front plate back to the recessed box.



General safety information:

⚠ WARNING

This product is intended for installation by a qualified service person. Use AWG NO. 14 (1.6 mm²) solid conductor for wiring.

⚠ DANGER

Failure to properly ground unit could result in severe electrical shock and/or death.

⚠ WARNING

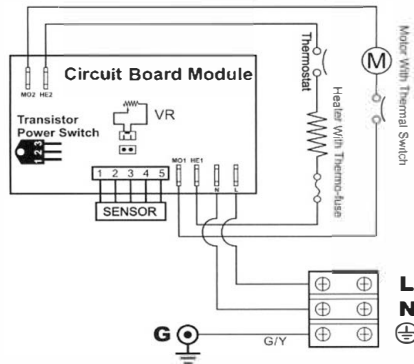
Disconnect power at the service breaker before installing or servicing.

⚠ WARNING

All units must be supplied with a 3-wire service. The ground wire must be connected to the dryer's backplate.

-- NOTE: Do not install dryer over washbasin --

Circuit Diagram



TECHNICAL SPECIFICATIONS

ITEM CATEGORY

PERFORMANCE DATA

Operating Voltage	110-120Vac, 50/60 Hz, 1.34-1.6 kW 220-240Vac, 50/60 Hz, 1.34-1.6 kW
Warm Air Speed Output	168-224 mi/hr (75-100 m/s), adjustable
Air Output Temperature	113°F (45°C) – Ambient Temp. 68°F (20°C)
Dryer Shall Deliver	51-68 CFM (87-116 m ³ /h)
Motor Type	15/16HP, 350-700W, 12000-18000 R.R.M., Adjustable; Brush Type, Dual Ball Bearings
Motor Thermal Protection	Auto Resetting Thermostat turns unit off, 120V at 275°F (135°C), 240V at 221°F (95°C) - US-Spec 240V at 221°F (105°C) - EURO Spec
Heater Element	450-900W, adjustable
Heater Thermal Protection	Auto Resetting Thermostat turns unit off at, 149°F (65°C)
Drying Time	Less than 15 seconds
Circuit Operation	Infrared Automatic, self adjusting
Sensor Range	2" to 13" [51 mm to 330 mm], adjustable; standard 7" [18 cm±2 cm]
Timing Protection	60 seconds auto shut off
Drip proof	IPX1 ♠
Isolation	CLASS 1
Net Weight	12.8 lbs (5.8 kg)
Shipping Weight	14.6 lbs (6.6 kg)
Unit Size	8-5/64" W x 11-19/64" H x 7-6/64" D [205 mm x 287 mm x 180 mm]

Diagnostics and Remedies

Symptom

If the dryer will not run

The dryer cycles by itself or runs constantly

The dryer makes a loud noise and does not run for a complete cycle

The dryer runs but air stream is low pressure and/or low velocity

Corrective Actions for Initial Installation Failures

First ensure that the breaker supplying the dryer is operational. If it is, disconnect the power and remove the dryer cover. Taking suitable precautions to avoid shock hazard, reconnect the power and check for Voltage at the terminal block. Verify that connections are made correctly. Adjust the VR to make sure it is not set too low.

Ensure that there is no obstruction on or in front of the IR sensor. Clean any dirt or debris off the sensor lens. If problem persists, replace sensor.

Ensure that the supply Voltage is correct. Dryer will make a loud humming noise if the input Voltage is too high. Verify Voltage requirement on unit rating label and correct supply as required. If CBM has been damaged, replace CBM, IR sensor module and VR component and cable.

Ensure that the supply Voltage is correct. Dryer will run weakly if the input Voltage is too low. Verify Voltage requirement on unit rating label and correct supply as required.

Symptom

If the dryer will not run

The IR sensor only "sees" close range objects

The heater gets hot but no air stream is produced

The dryer only blows cold air during a full cycle

The air stream is low pressure and velocity

Corrective Actions for In-Service Failures

First ensure that the breaker supplying the dryer is operational. If it is, disconnect the power and remove the dryer cover. Replace the CBM and IR sensor module. Test the VR for open circuit (see Technical Specifications for value). Replace VR if $\Omega = \infty$. Taking suitable precautions to avoid shock hazard, reconnect the power and check for Voltage at the terminal block.

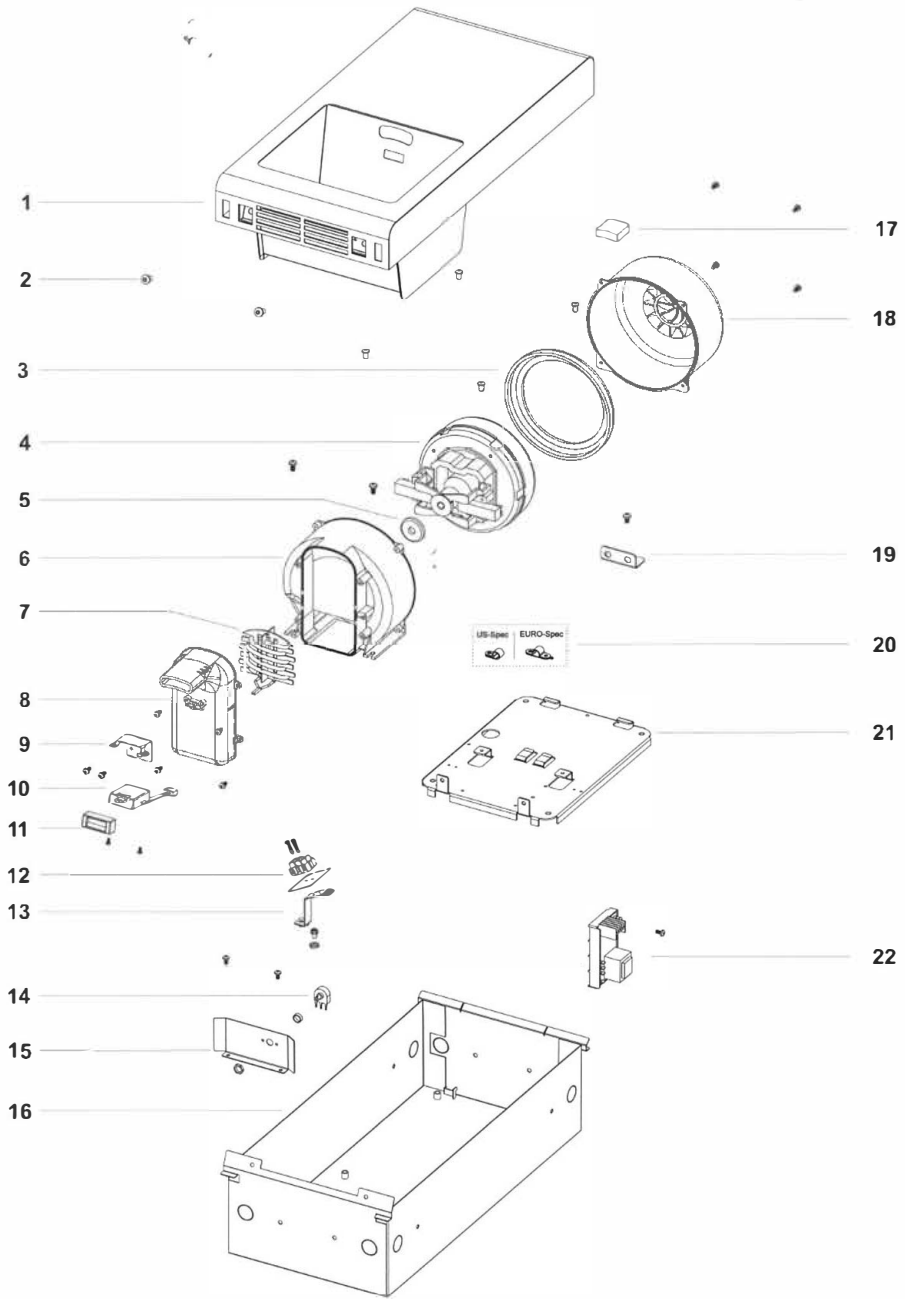
Ensure that there is no obstruction on or in front of the IR sensor. Clean any dirt or debris off the sensor lens. If problem persists, disconnect the power and remove the dryer cover. Taking suitable precautions to avoid shock hazard, reconnect the power and try carefully adjusting the sensitivity control (yellow shaft in blue box on CBM) to increase the sensing range. If problem persists, replace sensor.

Disconnect the power. Remove the dryer cover and disassemble the blower-motor/fan housing. Replace the fan motor.

Disconnect the power. Remove the dryer cover and disassemble the blower-motor/fan housing. Test the thermostat for open circuit. Check the heater element for signs of burning or breakage. Damaged element must be replaced.

Check the output nozzle for obstructions. If none are present, disconnect the power. Remove the dryer cover. Remove any dust/lint buildup from intake vent slots. Disassemble the blower-motor/fan housing. Check the motor brushes for worn condition ($\leq 25/64"$ [10 mm] graphite remains) and replace them, if necessary.

Assembly Diagram



Repair parts list

Key	Part #	Description	Qty
1	C0309-0030	Cover	1
2	D0101-0015	Security hex screw	2
3	G0109-0002	Motor rubber - Large	1
4		Motor	1
	E0109-0001	110-120Vac 700W (US-Spec)	
	E0109-0003	220-240Vac 700W (US-Spec)	
	E0109-0002	220-240Vac 700W (EURO-Spec)	
5	G0109-0004	Motor rubber - Small	1
6	A0110-0002	Blower housing - Bottom	1
7		Heater assembly	1
	T0209-0016	900W@120Vac, 16Ω	
	T0209-0017	900W@240Vac, 64Ω	
8	A0110-0003	Air outlet	1
9	C0109-0013	Sensor module bracket	1
10	F0301-0006	Sensor module	1
11	G0206-0003	Sensor protector	1
12	F0801-0001	Terminal block	1
13	C0109-0029	Terminal block bracket	1
14		Variable resistance (VR)	1
	F0509-0002	50KΩ@240Vac	
	F0509-0001	100KΩ@240Vac	
15	C0109-0018	Variable resistance bracket	1
16	C0109-0040	Recessed box	1
17	G0309-0005	Shock absorbed	1
18	A0110-0001	Blower housing - Top	1
19	C0109-0042	Blower housing bracket	1
20		Nylon cable clamp	1
	A0101-0020	US-Spec	
	A0106-0004	EURO-Spec	
21	C0109-0026	Base plate	1
22		Circuit Board Module (CBM)	1
	F0209-0012	CBM@120Vac	
	F0209-0011	CBM@240Vac	