

# READ AND SAVE THESE INSTRUCTIONS

EN

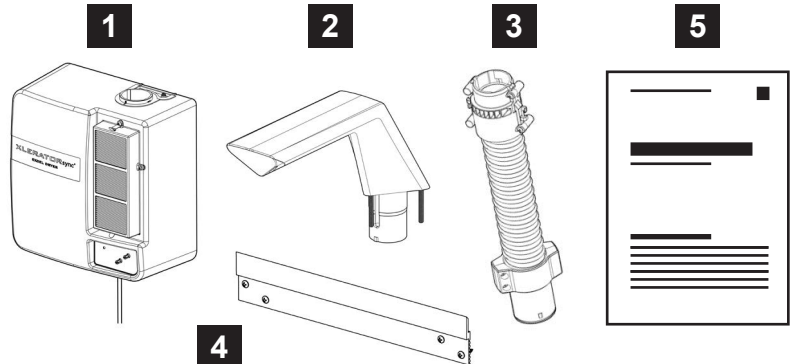


## INSTALLATION AND OWNER'S MANUAL XLERATORsync®

This appliance is designed to be used in commercial areas.

### RECEIVING SHIPMENT

1. Unpack all items from the shipping box.
2. Review items against the following list:
  1. Dryer Box Assembly
  2. Deck Up Spout Assembly
  3. Hose Assembly
  4. Z-Bracket
  5. Installation and Owner's Manual
3. Report any missing or damaged items.
4. Locate the Dryer Model Number and Serial Number on the Dryer nameplate and record the date below.
5. Read and save these instructions.



### MODEL INFORMATION

Serial Number

Date Of Purchase

### IMPORTANT SAFETY INSTRUCTIONS

	<b>WARNING: For proper electrical connections, check your local building codes. Dryer is intended to be cord connected to power supply, and must be properly grounded.</b>
	<b>WARNING: To reduce risk of fire, electric shock or injury to persons, observe the following:</b> A Use this unit only in the manner intended by the manufacturer. B Before servicing or cleaning unit, unplug cord from receptacle.

- Do not use any power wash equipment for cleaning on or near this unit.
- Do not use the XLERATORsync dryer for drying hair.
- Do not obstruct air inlets or outlets.

#### PRE INSTALLATION WIRING SAFETY INSTRUCTIONS

- Install a dedicated 20-amp GFCI outlet no more than 4 feet from the installation of the dryer box. Make sure the supply corresponds to that shown on the rating sticker of the unit. If the dryer is connected to any electrical supply other than that stated on the rating sticker of the unit, permanent damage or improper, unsafe operation of the unit may result.
- Make sure to unplug cord from receptacle before installing, maintaining or cleaning this hand dryer.

#### GENERAL SAFETY INSTRUCTIONS

- If the supply cord is damaged, it must be replaced by the manufacturer, its service agent or similarly qualified persons in order to avoid a hazard.
- To preserve IP11B rating, dryer must be connected to air delivery hose and connector
- Troubleshooting and internal maintenance must be performed by qualified service personnel.

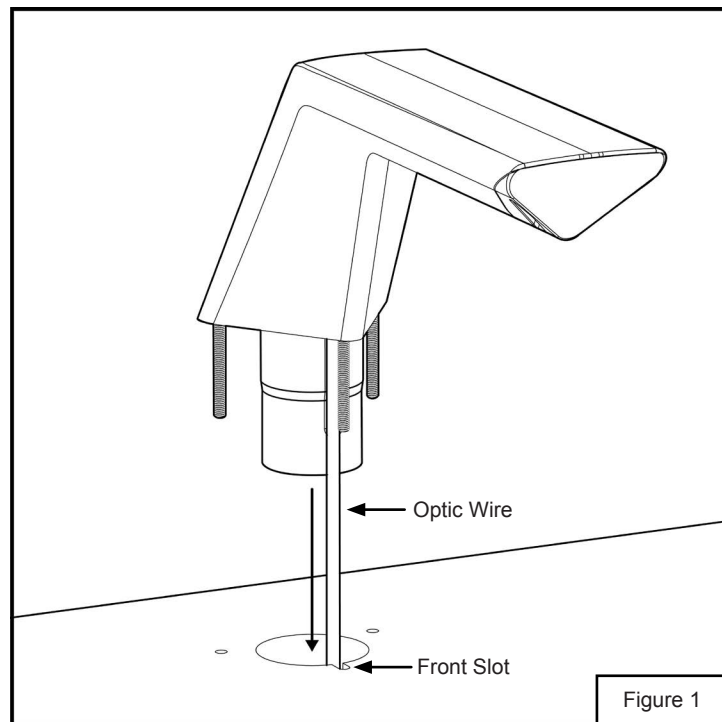


# READ AND SAVE THESE INSTRUCTIONS

## INSTALLATION INSTRUCTIONS

**CAUTION:** Always make sure to have dryer electrical cord unplugged from outlet before performing any installation or maintenance tasks.

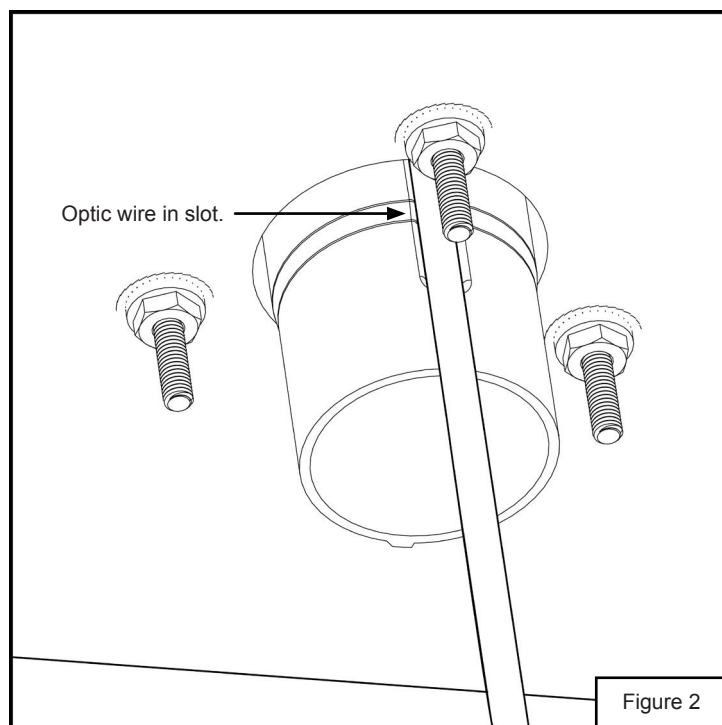
1. Remove the (3) nuts off of the threaded studs. Attach the spout to the sink deck via the pre-manufactured holes. Take care in positioning the optic wire straight and near the front slot as shown in Figure 1. Do not position optic wire in front of the threads.



2. Attach the (3) nuts to the studs on the underside of the sink deck to synch down the spout fixture. Be sure when tightening front nut to move the sensor cable out of the way so it is not damaged. Proceed to tighten the nuts enough to securely snug the fixture to the top of the deck without over-tightening to a point that it could damage the threads or sink deck. Double-check that the optic wire is not pinched in-between the sink deck and spout. The wire should sit in the cavity on the plastic spout connector (Figure 2).

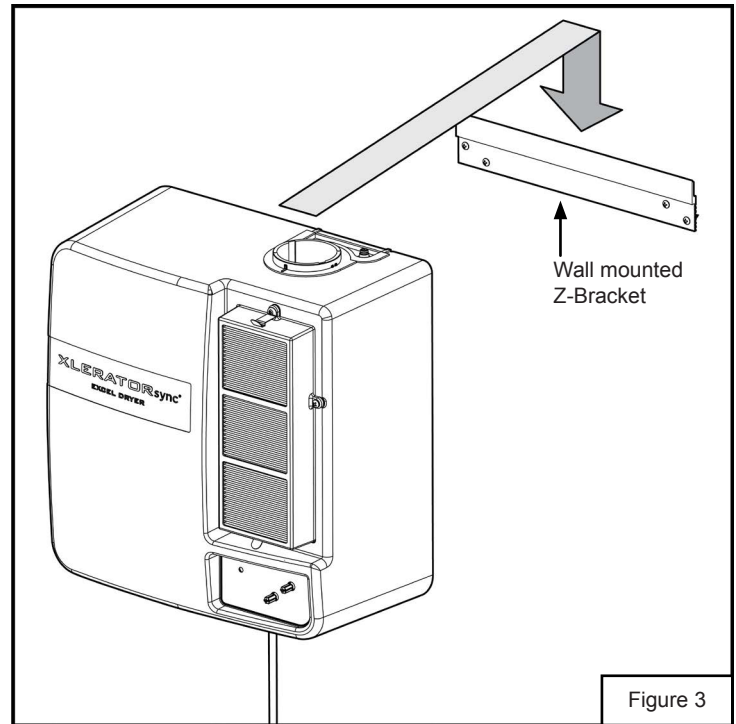
**NOTE:**

When tightening the front nut, be sure to move the sensor cable out of the way so it is not damaged.



# READ AND SAVE THESE INSTRUCTIONS

3. If not already installed attach supplied Z Bracket to sink base per instructions from wash station manufacturer. Hang dryer with air outlet at the top over the Z-bracket previously installed.

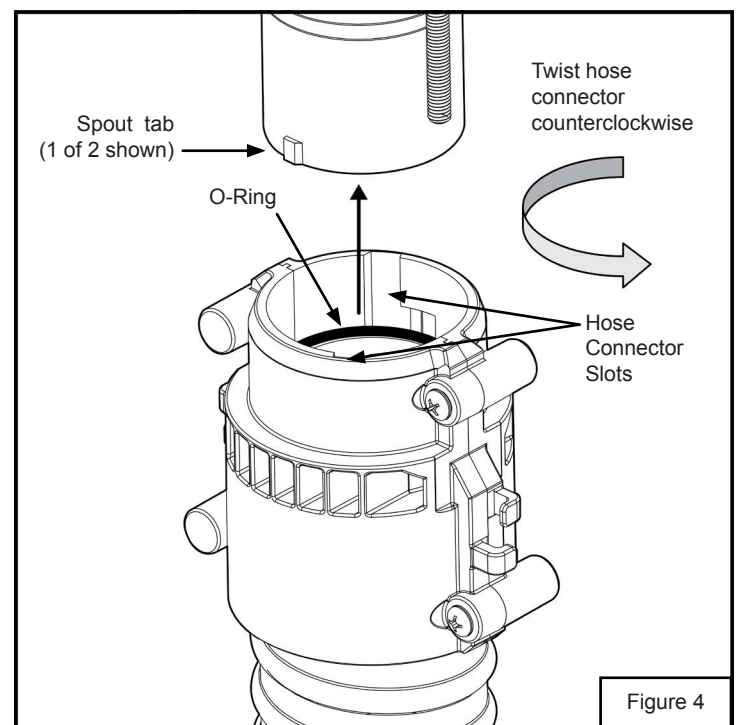


4. Begin attaching the dryer hose to the spout. First, make sure that the larger O-ring which was packaged with the hose is put in place as shown in Figure 4. Insert the connector over the spout by aligning the (2) slots with the (2) spout tabs. Push the connector all the way on and then twist about 1/8th of a turn counter-clockwise to snap into place in direction shown (Figure 4).

**NOTE:**

Do not over twist, only needs 1/8 turn to lock into place.

Be careful to not pull down on Sensor Cable.

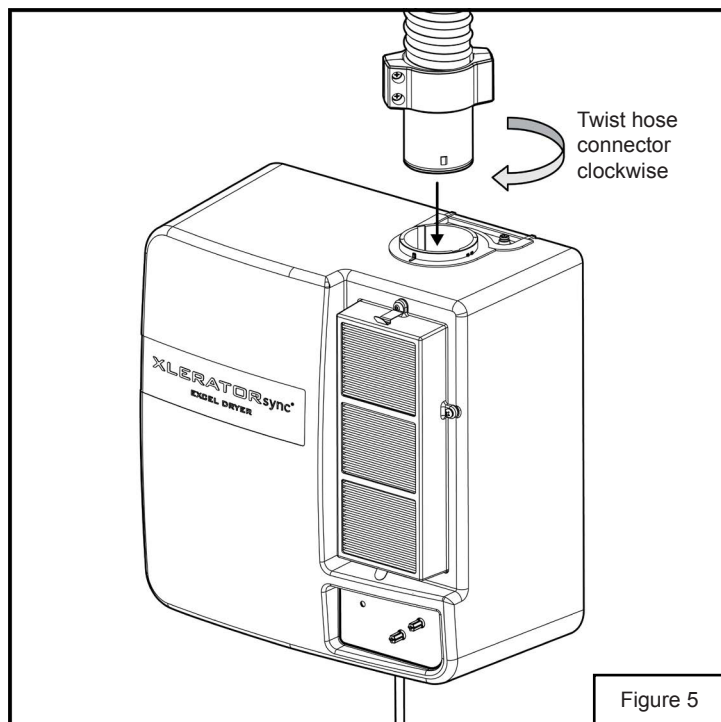


# READ AND SAVE THESE INSTRUCTIONS

5. Similar to step 4, align the slots on the hose connector with the dryer output tabs. Insert Hose Connector until it stops, then rotate clockwise about 1/8th of a turn to snap into place in direction shown (Figure 5).

**NOTE:**

Do not over twist, only needs 1/8 turn to lock into place. Align hose connector tabs with the slots on the dryer air outlet.

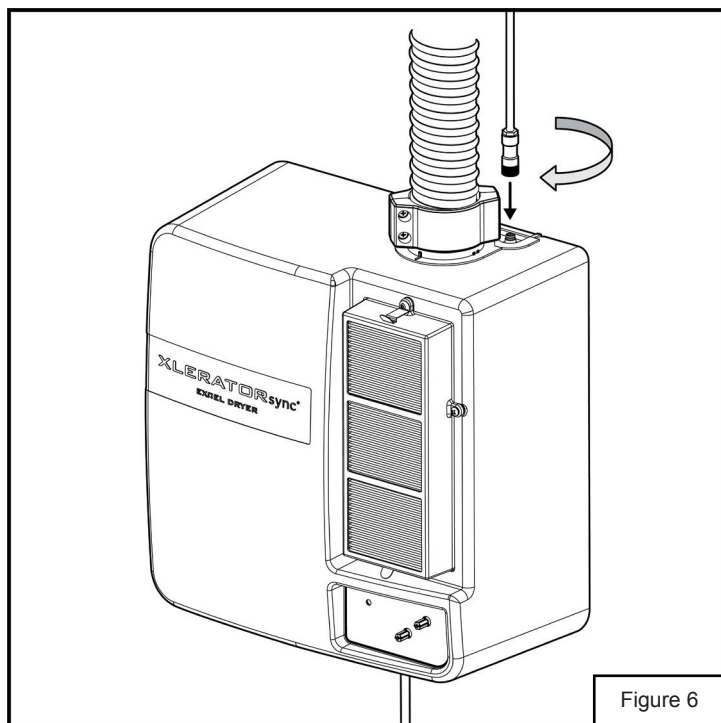


6. Connect the spout optic wire to the dryer box. Simply align the male and female connector halves via the (4) pins and then tighten via the harnesses/connectors threaded section. Neatly route wire so that it does not dangle under the sink. Neatly route the power cord. Once all work is completed, plug power cord into outlet to check for proper operation (Figure 6).

**NOTE:**

Gently rotate the cable connector until it engages with mating connector. Then tighten the Knurled Nut.

Do not pull down on sensor cable, this may cause damage to the unit.



# READ AND SAVE THESE INSTRUCTIONS

**WARNING: TO REDUCE THE RISK OF FIRE, ELECTRIC SHOCK OR INJURY TO PERSONS, OBSERVE THE FOLLOWING:**



- A. Use this unit only in the manner intended by the manufacturer.
- B. Before servicing or cleaning unit, unplug power cord from receptacle.

## CLEANING / MAINTENANCE

### OUTSIDE

Gently wash spout using a soft cloth or sponge and a mild soap or detergent with lukewarm water to loosen dirt and grime. Do not use an abrasive cleaner.

### INSIDE

Excel recommends inspecting for lint on the Pre-Filters and HEPA filter.

**DO NOT CLEAN THE HEPA FILTER OR ALLOW IT TO COME INTO CONTACT WITH WATER.**

## 7-YEAR LIMITED WARRANTY (U.S. Only)

1. This product is warranted to be free of manufacturing defects for seven (7) years (one [1] year on HEPA Filter & Pre-Filter) from the date of shipment from the Manufacturer's factory at 357 Chestnut St., East Longmeadow, Massachusetts 01028. This warranty explicitly excludes normal wear and tear on the Filter or Pre-Filter, as well as faulty installation, accident, misuse, or vandalism. In the event of a breach of the warranty described above, the Owner shall have either one of the following remedies:
  - a. The Owner shall return the defective product to the Manufacturer, postage prepaid, and the Manufacturer shall repair said product within a reasonable time and free of charge, provided that said product is returned within the stated period above from the date of original shipment from the Manufacturer's factory in East Longmeadow, Massachusetts; and, provided further that said defect is not due to faulty installation, accident, misuse, or vandalism; or
  - b. The Owner may notify the Manufacturer by telephone or in writing of the defect and, within a reasonable time, the Manufacturer shall send a suitable replacement part to remedy said defect, and Owner shall be charged for said part at the current price level. The Owner may return the defective part to the Manufacturer, postage prepaid, along with the serial number of the defective product and the Manufacturer will then issue to the Owner a full credit for the repair part, including outgoing postage (within the Continental U.S. only). Said remedy is available only within the stated period stated above from the date of original shipment of the product from the Manufacturer's factory in East Longmeadow, Massachusetts, and provided further that said defect is not due to faulty installation, accident, misuse, or vandalism.
2. Any implied warranties of merchantability or fitness for a particular purpose are hereby limited to the duration of the express written warranty contained in paragraph one (1); namely, seven (7) years (one [1] year on HEPA Filter & Pre-Filter) from the date of shipment from the Manufacturer's factory in East Longmeadow, Massachusetts.
3. There are no other warranties and remedies except as contained herein. This warranty shall inure to the benefit of the Owners, Successors and Assigns.

## TROUBLESHOOTING

### *Dryer does not turn on*

1. Check LED indicator light on the front of the sink box under the sink

**Light is out** – Check to make sure the unit is plugged in and that the outlet has power.

If power is confirmed but no light visible, send dryer back for service.

**Light is flashing** – Check Code Chart for remedy

**Light is solid** – Place hands under sensor at spout (white light in spout should go on) at the same time check red LED service indicator light under sink - if still on, check sensor cable connection at dryer. Check sensor connection at spout.

If all OK then replace sensor.

NOTE: Normal operation of spout LED light when first powered up is to flash RED / GREEN / BLUE. After lights go off the light will go on white when hands are placed under sensor.

### *Dryer blows only cold air*

1. Check heat setting on Dryer Box.
2. Run dryer for 10 seconds to warm up. If still cold, send dryer back for service.

### *Dryer has loss of air volume*

1. Check motor speed setting on control.
2. Check hose connection under sink.
3. Check HEPA Pre-Filter for lint buildup. Clean by removing Pre-Filter and rinse in warm water then dry before reinstalling.

### **ADJUSTING THE HEAT OUTPUT, MOTOR SPEED**

The dryer is shipped with maximum heat and maximum motor speed. To adjust, turn the corresponding knob COUNTER-CLOCKWISE to reduce.

**H = HEAT M = MOTOR**



# READ AND SAVE THESE INSTRUCTIONS

## CODE CHART

Codes are displayed by the flashing of the red LED light in the sensor behind air outlet and on the front of the dryer box under the sink. Normal operation will be indicated by the red LED being on when not drying and off when hands are under the sensor.

### Dryer Maintenance Codes

1 Short / 1 Long flash	Clogged Pre-Filter	Remove and clean HEPA Pre-Filter	Dryer will still run
1 Short / 2 Long flash	Severely Clogged Filter	Remove and clean HEPA Pre-Filter	Dryer will stop
2 Short / 1 Long flash	In lockout mode	Remove obstruction or clean sensor	Dryer stops until obstruction cleared or sensor cleaned.

### Motor Problem Codes

1 Long / 3 Short flashes	Motor over current	Send back to factory for repair	Dryer will stop
1 Long / 4 Short flashes	Motor under current	Send back to factory for repair	Dryer will stop

### Heater Problem Codes

2 Long / 3 Short flashes	Shorted or incorrect heater	Send back to factory for repair	Dryer will stop
--------------------------	-----------------------------	---------------------------------	-----------------

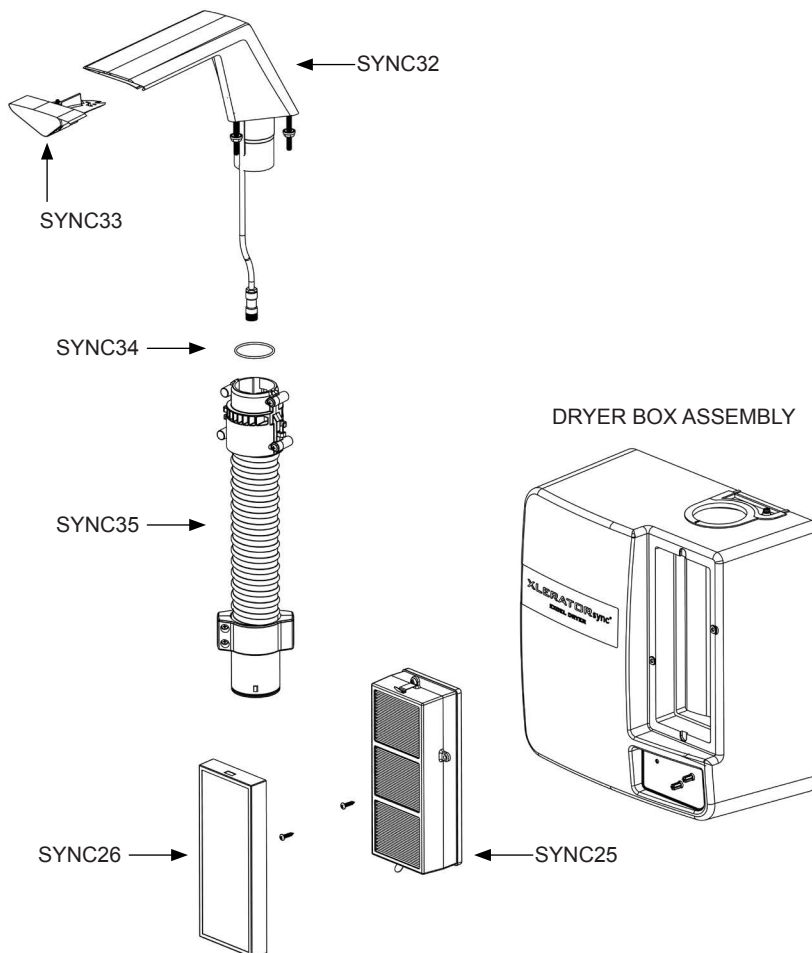
Contact factory with other codes not listed above.

If problem cannot be resolved with the above, please call the manufacturer at 1-800-255-9235 and one of our trained technicians will be happy to assist you.

## PARTS LIST

### Ref. No. Description

- SYNC32 DECK UP SPOUT ASSEMBLY (INCLUDES SENSOR)
- SYNC33 DECK UP SPOUT SENSOR ONLY
- SYNC34 O-RING
- SYNC35 HOSE ASSEMBLY
- SYNC25 HEPA FILTER
- SYNC26 HEPA PRE-FILTER



# TIME TO THROW IN THE TOWEL®

EXCEL DRYER INC • 1.413.525.4531 • 1.800.255.9235 (US/CN) • EXCELDRYER.COM

MAY  
2020

20SYM0898