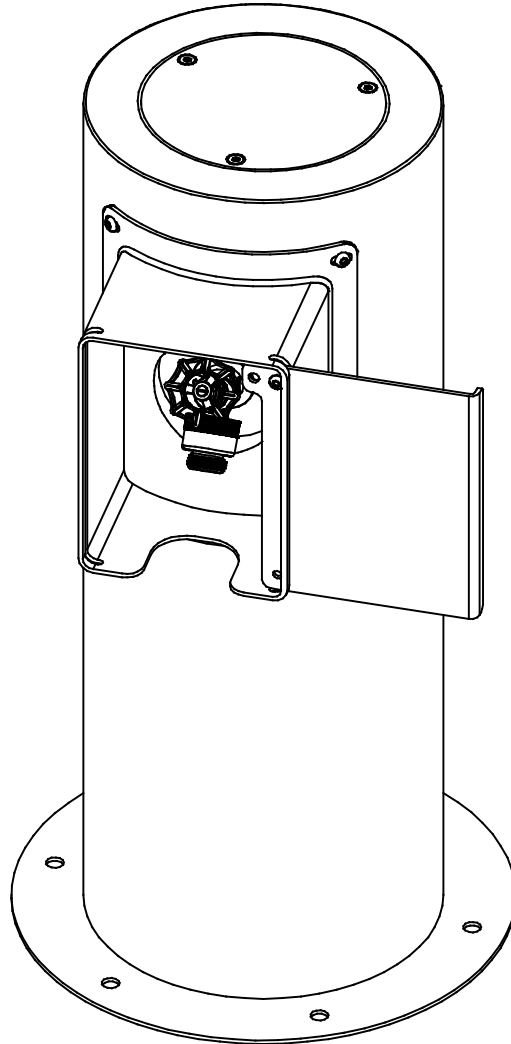


# Owners Manual

Models LK4461YHLHB\* and 4461YHLHB\*  
Yard Hydrant With Locking Hose Bib



**MODELS**  
LK4461YHLHB\* & 4461YHLHB\*

## INSTALLER

To assure you install these models easily and correctly, PLEASE READ THESE SIMPLE INSTRUCTIONS BEFORE STARTING THE INSTALLATION. CHECK YOUR INSTALLATION FOR COMPLIANCE WITH PLUMBING, ELECTRICAL, AND OTHER APPLICABLE CODES. After installation, leave these instructions with the Fountain for future reference.

# INSTALLATION INSTRUCTIONS

## IMPORTANT

ALL SERVICE TO BE PERFORMED BY AN AUTHORIZED SERVICE PERSON

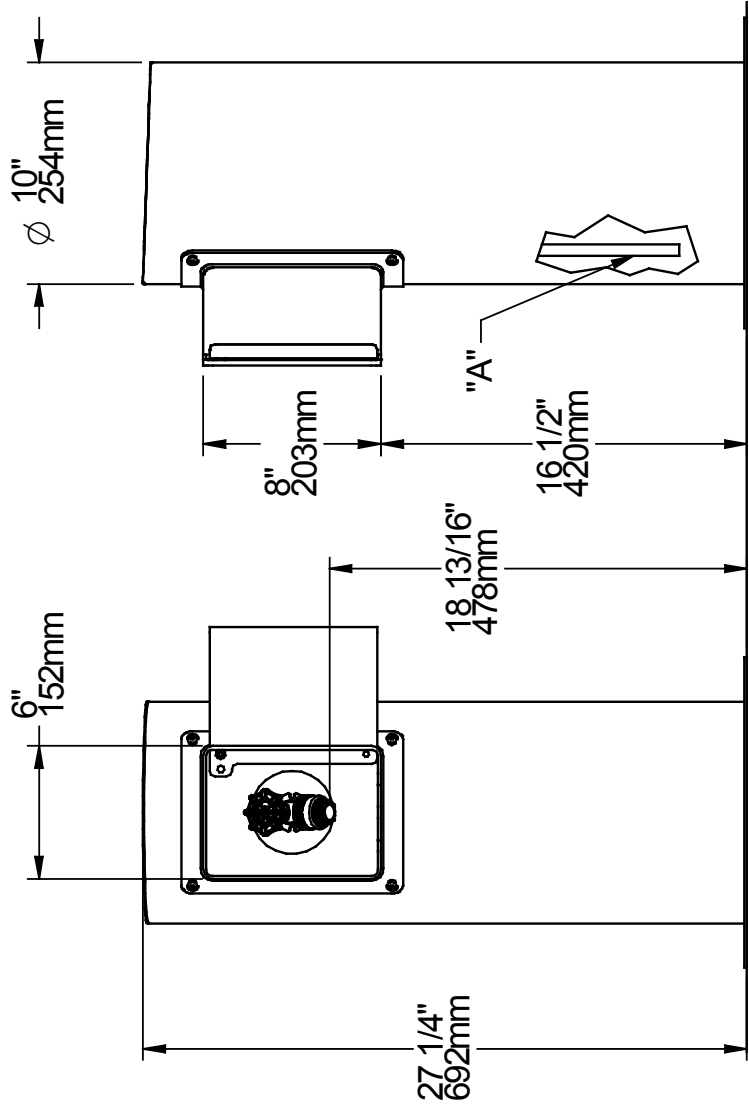
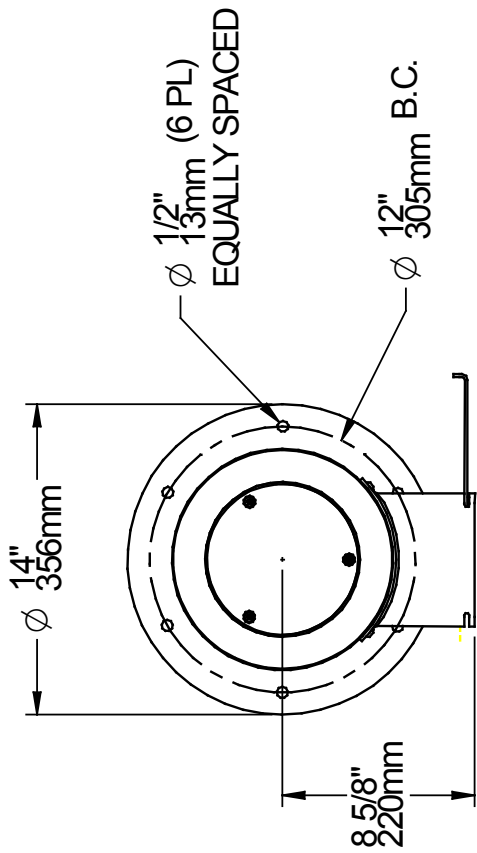
### IMPORTANT! INSTALLER PLEASE NOTE.

THE GROUNDING OF ELECTRICAL EQUIPMENT SUCH AS TELEPHONE, COMPUTERS, ETC. TO WATER LINES IS A COMMON PROCEDURE. THIS GROUNDING MAY BE IN THE BUILDING OR MAY OCCUR AWAY FROM THE BUILDING. THIS GROUNDING CAN CAUSE ELECTRICAL FEEDBACK INTO A FOUNTAIN, CREATING AN ELECTROLYSIS WHICH CAUSES A METALLIC TASTE OR AN INCREASE IN THE METAL CONTENT OF THE WATER. THIS CONDITION IS AVOIDABLE BY USING THE PROPER MATERIALS AS INDICATED. ANY DRAIN FITTINGS PROVIDED BY THE INSTALLER SHOULD BE MADE OF PLASTIC TO ELECTRICALLY ISOLATE THE FOUNTAIN FROM THE BUILDING PLUMBING SYSTEM.

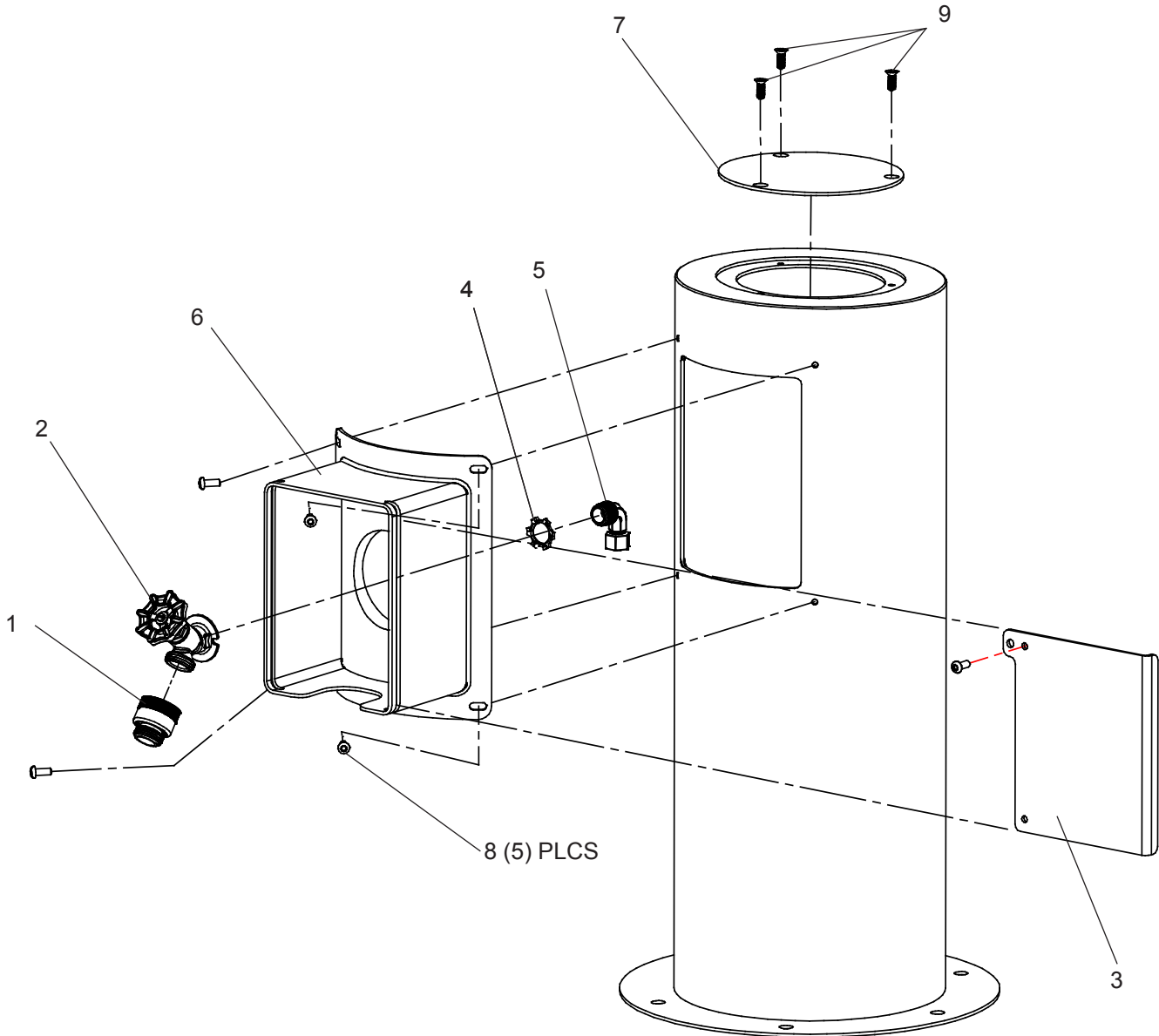
1. This yard hydrant is to be mounted on a smooth, flat, finished surface with adequate support structure.
2. Refer to rough-in for plumbing.
3. Install shut-off valve on water supply, (valve not furnished).
4. Locate and install hydrant using 3/8" minimum fasteners, (Fasteners not furnished).
5. Connect water supply. Water connection must comply with local codes.
6. Turn on water supply and check all connections for leaks.

**CAUTION:** This hydrant is rated for inlet water pressure of 20-105 PSI. A pressure reducing regulator should be used if the inlet water supply exceeds 105 PSI. Any damage caused by reason of connecting this product to supply line pressures lower than 20 PSI or higher than 105 PSI is not covered by warranty.

7. Water supply 1/2" O.D. unplated copper tube. Contractor to supply service stop valve in accordance with local code.
8. Connecting lines to be made of unplated copper and should be thoroughly flushed to remove all foreign matter before being connected to hydrant. This yard hydrant is manufactured in such a manner that it does not in any way cause taste, odor, color, or sediment problems.
9. Connect hydrant to supply line with a shut-off valve and install a 1/2" unplated copper water line between the valve and the faucet compression elbow fitting. Remove any burrs from outside of water line. Push the tubes straight into the fittings until they reach a positive stop, approximately 3/4".



LEGEND  
A = 1/2" O.D. UNPLATED COPPER TUBE CONNECT - SHUT OFF VALVE BY OTHERS.



ITEMIZED PARTS LIST

ITEM NO.	PART NO.	DESCRIPTION
1	75624C	Fitting - Hose Vacuum Breaker
2	75619C	Faucet - 1/2" NPT
3	1000004235*	Door - Hose Bib Housing
4	70977C	Nut - Lock 1/2" Conduit
5	70972C	Elbow - 90° x 1/2" NPT
6	1000004233*	Panel - Locking Hose Bib
7	1000003814*	Plate - 7" Round Cover
8	75535C	Pinned Torx Screw 1/4-20 x .75"
9	75724C	Pinned Torx Screw 1/4-20 x .75" Flat Head
NS	66555C	Tube - 1/2" O.D. X 36.00" Lg.
NS	75521C	Bit - Torx

\*select color option to complete part number  
NS = Not Shown

**\*FINISH COLOR OPTIONS** – Choose color option to complete your model number, add as suffix example: 4461YHLHBEVG

Matte finish:  Evergreen = EVG

Gloss finish:

- |                                      |                                       |   |
|--------------------------------------|---------------------------------------|---|
| <input type="checkbox"/> Beige = BGE | <input type="checkbox"/> Gray = GRY   | <input type="checkbox"/> Terracotta = TER |
| <input type="checkbox"/> Black = BLK | <input type="checkbox"/> Orange = ORN | <input type="checkbox"/> White = WHT      |
| <input type="checkbox"/> Blue = BLU  | <input type="checkbox"/> Purple = PUR | <input type="checkbox"/> Yellow = YLW     |
| <input type="checkbox"/> Brown = BRN | <input type="checkbox"/> Red = RED    |   |