

# ELKAY® With FLEXI-GUARD®

## INSTALLATION, CARE & USE MANUAL

### SWIRLFLO® Refrigerated fountains with FLEXI-GUARD®



#### INSTALLER



#### CAUTION:

Review these instructions before beginning installation. Be sure that installation conforms to all plumbing, electrical and other applicable codes.



#### WARNING:

When installation is complete, ensure these instructions are left in the plastic bag provided inside the installed unit for future reference.



#### WARNING:

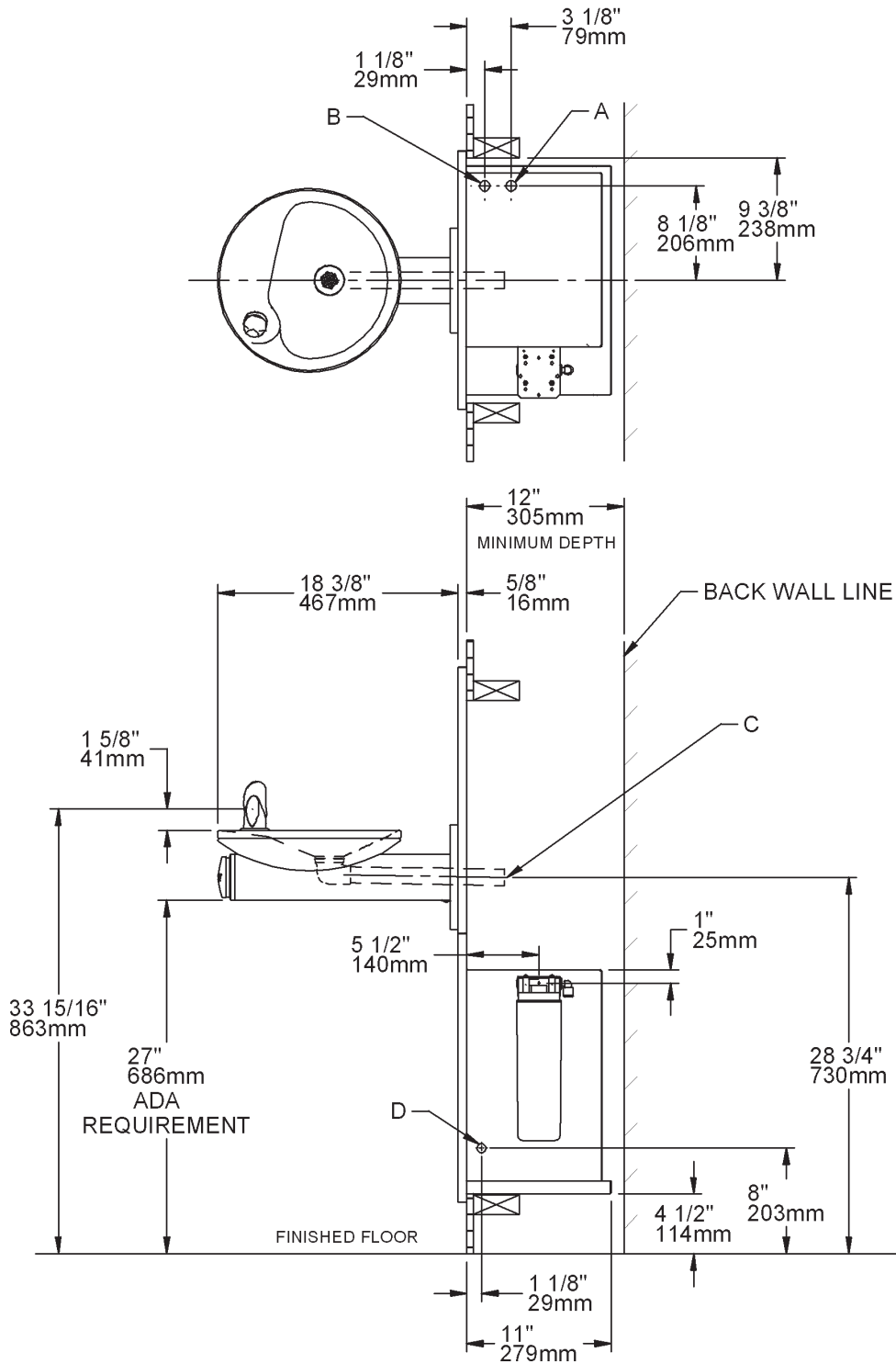
Service to be performed by authorized service personnel only.

NOTE: It is common practice to ground electrical hardware such as telephones, computers and other devices to available water lines. This can, however, cause electrical feedback in the plumbing circuit, which results in an “electrolysis” effect occurring in the fountain. This may result in water which has a metallic taste to it or has a noticeable increase in the metallic content of the water.

When inspecting plumbing circuit, remember the line may be grounded some distance from the installation, and may occur outside the building or area in which the unit is being installed.

This condition can be avoided (in most cases) by using recommended materials during installation. Any drain fittings provided by the installer should be made of **plastic** which will electronically isolate the fountain from the remainder of the building’s plumbing circuits.

Model LRP8C



- LEGEND**  
 A = 1/4" O.D. Tube - Water Outlet Connection  
 B = 3/8" O.D. Tube - Water Inlet Connection  
 C = 1-1/4" Waste Tube  
 D = ELECTRICAL INLET

Figure 1 - Rough-in Dimensions

**Note: Danger! Electric shock hazard. Disconnect power before servicing unit.**

Uses HFC-134A refrigerant



Figure 2 - Chiller Installation

REQUIRED TOOLS AND MATERIALS

These tables show special tools and/or additional materials (not provided) which are necessary to complete installation of these units:

**Special Tools**

Item	Description	Quantity
	NONE	

**Additional Materials**

Item	Description	Quantity
1	Unplated copper inlet pipe	
2	Service Stop	

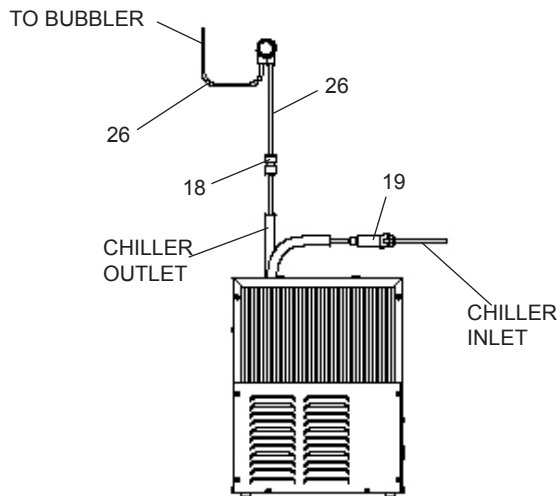


Figure 3 - ERPB Tube Routing

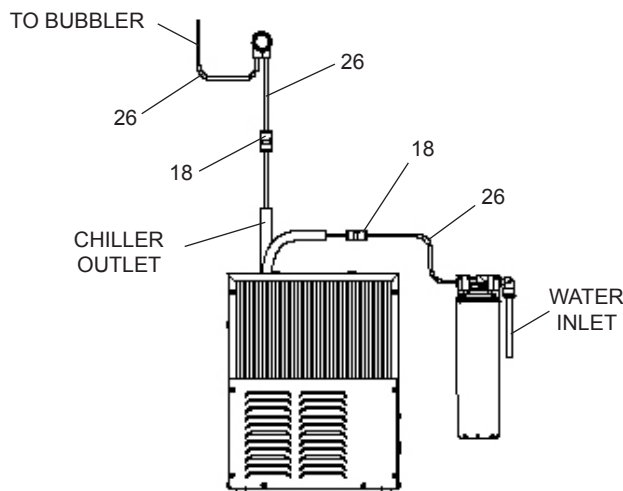


Figure 4 - LRPB Tube Routing

1. **Install chiller:** Remove front panel of chiller. **Remove and discard cardboard inner pack from between compressor and side panel.** Slide chiller onto the shelf and position it to the left as per dimensions in Figure 1.

**Note:** Building construction must allow for adequate air flow on both sides, top and back of chiller. A minimum of 4" (102mm) on both sides and top is required. See chiller installation for additional instructions.

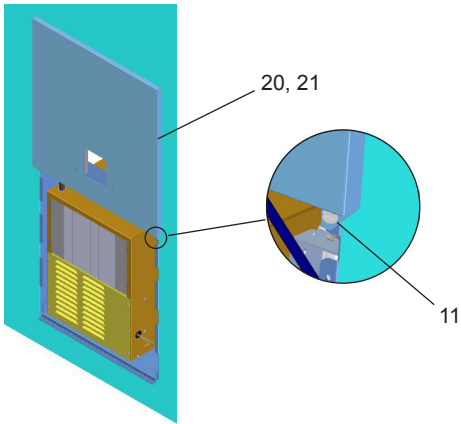
2. **Make water supply connections.** Install a shut-off valve and union connection to building water supply (valve and union not provided). Turn on water supply and flush the line thoroughly.

3. **ERP8 Models:** Make connection between remote chiller and building supply line. Inlet port is marked on the chiller (1/4" O.D. copper tube). Bend the copper tube (provided) at an appropriate length from chiller to opening in frame. Install the in-line strainer (provided with chiller) by pushing it until it reaches a positive stop, approximately 3/4" (19mm) on the marked chiller inlet port. Connect building supply line to strainer. (See Figure 3)

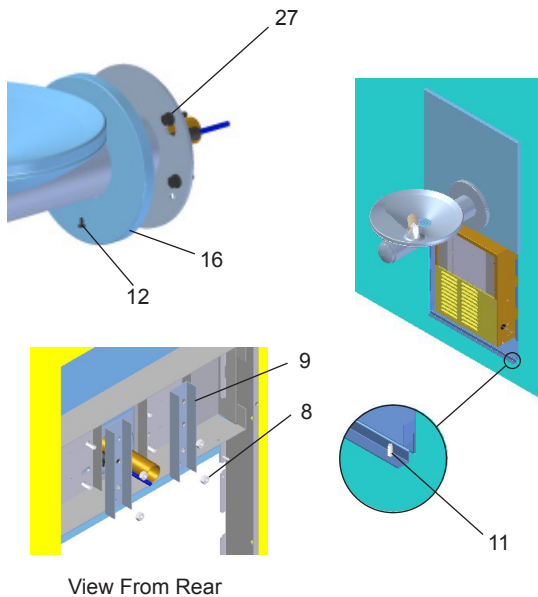
**Caution: DO NOT SOLDER** tubes inserted into the strainer as damage to o-rings may result.

4. **LRPB Models:** Mount filter head assembly to side of chiller (See Figure 4). Make connections between filter and building supply line (3/8" O.D. tube not provided). Inlet port is marked on the chiller (1/4" O. D. copper tube). Install a 1/4" x 1/4" union (provided) on the marked chiller inlet port. Insert the 1/4" poly tubing (provided) into the fitting on filter and connect the union to the chiller. (See Figure 4)

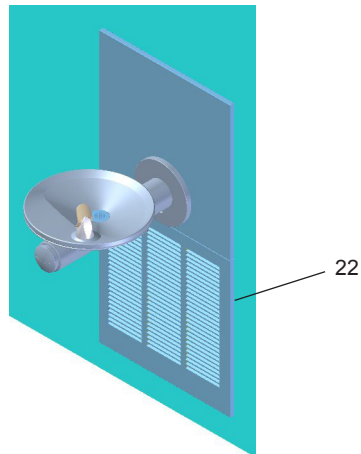
**Caution: DO NOT SOLDER** tubes inserted into the strainer as damage to o-rings may result.



**Figure 5 - Upper Panel Installation**



**Figure 6 - Fountain Installation**



**Figure 7 - Lower Panel Installation**

5. **Hang** the upper panel on the mounting frame hanger. Be sure that the panel is engaged with hanger at the top of frame before releasing it. Align holes in the panel with holes in the mounting frame. Install two (2) #10-24 x 5/8" (16mm) screws (Item 11 - Figure 5) in holes and tighten securely.

6. **Install** the fountain. Remove the screw (Item 12) from cover plate (Item 16) and slide cover plate toward basin. Mount the fountain to the upper panel and frame with (4) 5/16" x 1" (25mm) long bolts (Item 27), bracket (Item 9) and nuts (Item 8) provided. Tighten securely. **Brackets (Item 9) must be installed as shown to properly support fountain.** (See Figure 6)

7. **Attach waste tube** (1-1/4" O.D.) to 1-1/4" O.D. slip trap (provided by others).

8. **ERPB Models:** Make connections between remote chiller outlet tube and fountain. Outlet port is marked on the chiller (1/4" O.D. copper tube). Install a 1/4" x 1/4" union (provided) on the marked chiller outlet port. Insert the 1/4" poly tubing coming from the fountain into the union. Turn on the water supply and check for leaks.

**CAUTION: DO NOT SOLDER** tubes inserted into the strainer as damage to o-rings may result.

**LRPB Models:** Make connections between remote chiller outlet tube and fountain. Outlet port is marked on the chiller (1/4" O.D. copper tube). Install a 1/4" x 1/4" union (provided) on the marked chiller outlet port. Insert the 1/4" poly tubing coming from the fountain into the union.

**CAUTION: DO NOT SOLDER** tubes inserted into the strainer as damage to o-rings may result.

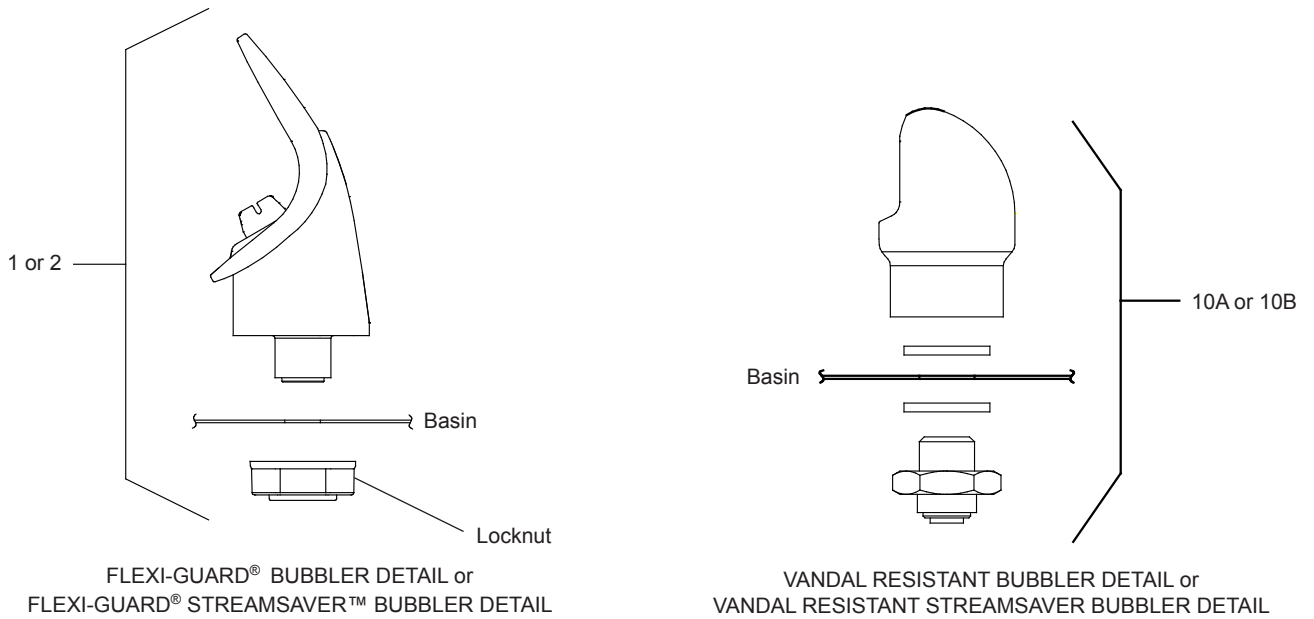
9. **These products are designed to operate on 20-105 PSI supply line pressure.** If inlet pressure is above 105 PSI, a pressure regulator must be installed in the supply line.

**CAUTION:** Any damage caused by connecting these products to a supply line with pressure lower than 20 PSI or higher than 105 PSI **IS NOT** covered under warranty.

10. **Make electrical connections to the chiller.** See chiller instructions.

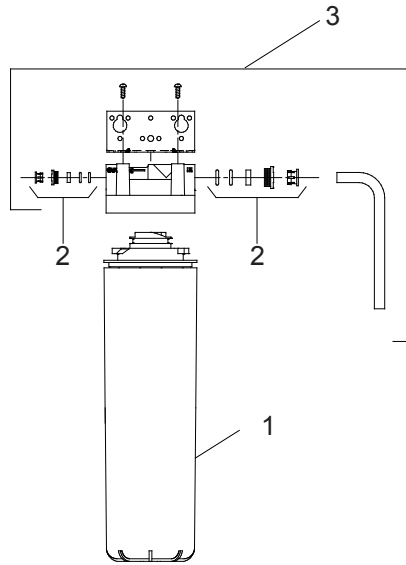
11. **Check stream height from bubbler.** Stream height is factory set at 35 PSI. If supply pressure varies greatly from this, remove push button (Item 3 - Figure 11) and adjust the screw on the regulator (Item 4 - Figure 11). To remove push button, remove set screw from bottom of sleeve (Item 6). Insert a small punch in screw hole and push up while grasping the push button and pull forward removing the push button. Clockwise adjustment will raise stream height and counterclockwise movement will lower stream height. For best adjustment stream should hit basin approximately 6-1/2" from the bubbler. Reassemble push button by pushing in on button until the push button catches in the sleeve. Reinstall the setscrew (Item 6) in the sleeve (Item 17).

12. **Mount lower panel.** Loosen the two (2) #10-24 x 5/8" (16mm) screws (Item 11 - Figure 6) at frame bottom lip. Slide upper tongue of lower panel under lower edge of already installed upper panel. Tighten previously loosened screws securely. (See Figure 7)



**NOTE:**  
 When installing replacement bubbler and pedestal, tighten locknut only to hold parts snug in position. Do Not Overtighten.

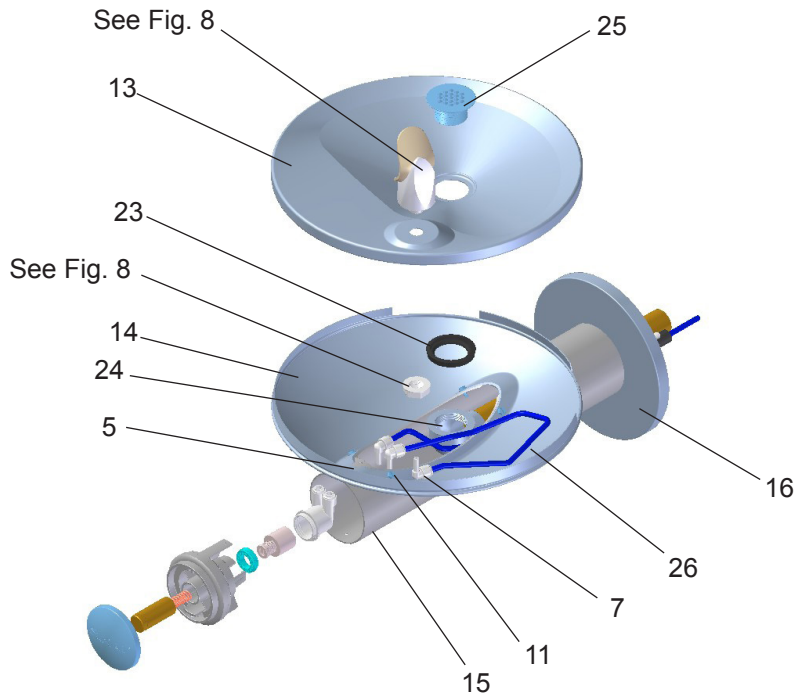
**Figure 8 - Bubbler Details**



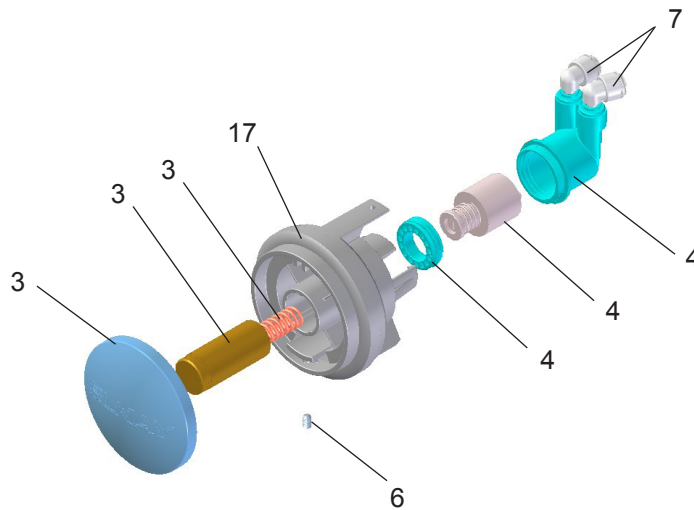
**Figure 9 - Filter Assembly**  
 (When provided)

**WaterSentry® Filter Detail**

WATERSENTRY® FILTER PARTS LIST (See Fig. 9)		
ITEM NO.	PART NO.	DESCRIPTION
1	51299C	Filter Assy - 1500 Gallon
2	98926C	Kit-Filter Head Fitting Includes John Guest Fittings
3	51469C	Assy-Filter Head & Mounting Bracket/John Guest Ftgs/Screws



**Figure 10 - Fountain Body Assembly**



**Figure 11 - Push Button Assembly**

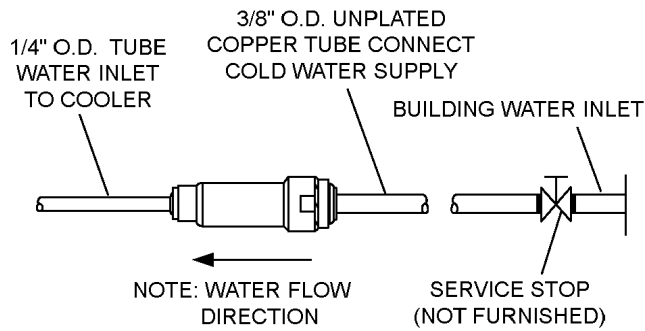


Figure 12 – Water Supply Connections

PARTS LIST		
ITEM NO.	PART NO.	DESCRIPTION
1	56073C	Bubbler Assy
2	98501C	Bubbler Assy (Stream Saver)
3	98871C	Kit - Push Button/Spring/Washer
4	98530C	Kit - Regulator/Holder/Nut
5	38417001	Screw - #8-18 x .37 HHSM
6	75632C	Setscrew - #10-32 x .13
7	70817C	Fitting - Elbow 1/4 x 1/4
8	70020C	Nut - Hex 5/16-18
9	28395C	Bracket - Support
10A	97446C	Bubbler Assembly VR
10B	98481C	Bubbler Assy. VR StreamSaver
11	111008343890	Screw - #10-24 x .62 HHMS
12	70432C	Screw - #8-32 x .38 THSM
13	28708C	Basin - Swirlflow
14	28473C	Lower Shell
15	45767C	Fountain Body
16	28343C	Cover Plate
17	45781C	Sleeve
18	1000002162	Kit - Union 1/4" x 1/4" (3 Pack)
19	55996C	Strainer (Provided With Chiller)
20	28382C	Back Panel
21	1000003516	Back Panel (Green Spec)
22	26833C	Lower Panel
23	56163C	Gasket - Drain
24	0000000930	Assy - Drain/Tailpipe
25	45768C	Drain - Plug 1-1/2
26	56092C	Poly Tubing (Cut To Length)
27	75560C	Screw - 5/16-18 x 1.00 HHMS

### Installation Package

The components for installation are packed in three separate boxes, regardless of the type of unit being installed. The boxes contain the following:

- Box No. 1: Wall Frame(s)
- Box No. 2: Remote Chiller, ECH8
- Box No. 3: Fountain Arm and Panels

Additional materials, as noted in the Parts List, are also shipped in these boxes.

### TROUBLESHOOTING & MAINTENANCE

**Orifice Assembly:** Mineral deposits on orifice can cause water flow to spurt or not regulate. Mineral deposits may be removed from the orifice by poking with a small round file not over 1/8" diameter, or using a small diameter wire.

**CAUTION:** DO NOT file or cut orifice material.

**Stream Regulator:** If orifice is clean, regulate flow as in Step 11 of the installation instructions. If replacement is necessary, see parts list for correct regulator part number.

### Actuation of Quick Connect Water Fittings:

Cooler is provided with lead-free connectors which utilize an o-ring water seal. To remove tubing from the fitting, relieve water pressure, push in on the gray collar while pulling on the tubing. (See Figure 13) To insert tubing, push tube straight into fitting until it reaches a positive stop approximately 3/4".

### OPERATION OF QUICK CONNECT FITTINGS

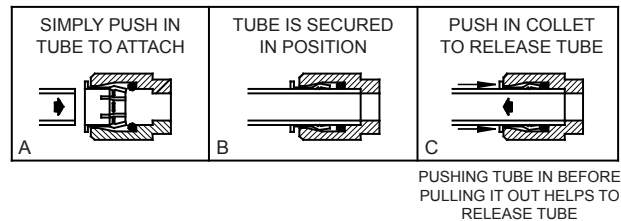


Figure 13 – Quick Connect Fittings

FOR PARTS, CONTACT YOUR LOCAL DISTRIBUTOR OR CALL 1.800.834.4816  
REPAIR SERVICE INFORMATION TOLL FREE NUMBER 1.800.260.6640

ELKAY MANUFACTURING COMPANY • 2222 CAMDEN COURT • OAK BROOK, IL 60523 • 630.574.8484