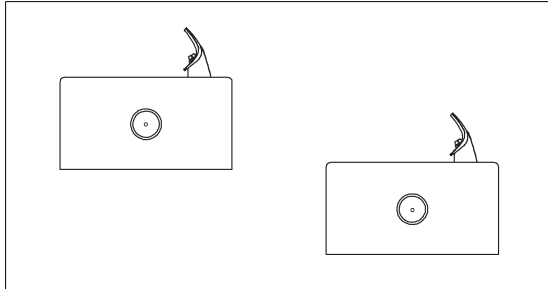
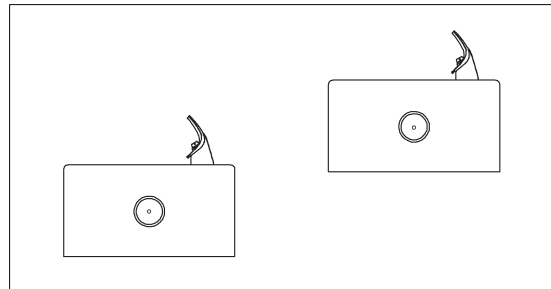


Installation/Care/Use Manual

Soft Sides™ Fountains with FLEXI-GUARD®



EDFP217C



EDFP217RAC

Installer

To assure you install this model easily and correctly, PLEASE READ THESE SIMPLE INSTRUCTIONS BEFORE STARTING THE INSTALLATION. CHECK YOUR INSTALLATION FOR COMPLIANCE WITH PLUMBING, ELECTRICAL AND OTHER APPLICABLE CODES. After installation, leave these instructions inside the fountain for future reference.

IMPORTANT

ALL SERVICE TO BE PERFORMED BY AN AUTHORIZED SERVICE PERSON

IMPORTANT! INSTALLER PLEASE NOTE.

THE GROUNDING OF ELECTRICAL EQUIPMENT SUCH AS TELEPHONE, COMPUTERS, ETC. TO WATER LINES IS A COMMON PROCEDURE. THIS GROUNDING MAY BE IN THE BUILDING OR MAY OCCUR AWAY FROM THE BUILDING. THIS GROUNDING CAN CAUSE ELECTRICAL FEEDBACK INTO A FOUNTAIN, CREATING AN ELECTROLYSIS WHICH CAUSES A METALLIC TASTE OR AN INCREASE IN THE METAL CONTENT OF THE WATER. THIS CONDITION IS AVOIDABLE BY USING THE PROPER MATERIALS AS INDICATED. ANY DRAIN FITTINGS PROVIDED BY THE INSTALLER SHOULD BE MADE OF PLASTIC TO ELECTRICALLY ISOLATE THE FOUNTAIN FROM THE BUILDING PLUMBING SYSTEM.

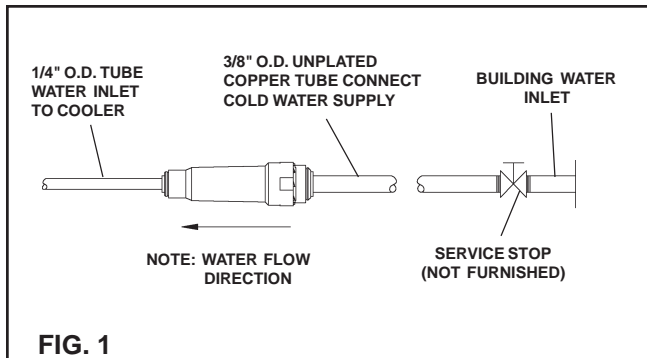


FIG. 1

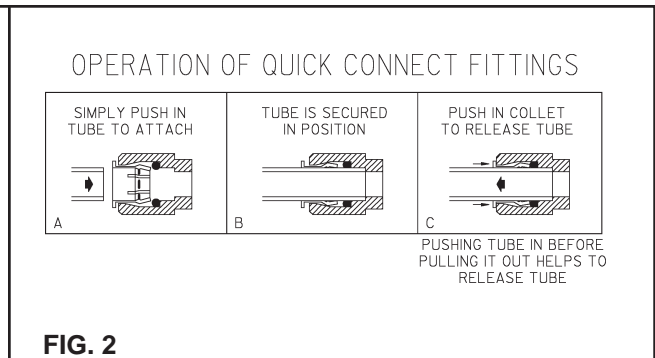


FIG. 2

INSTALLATION INSTRUCTIONS

- 1. Fountains using the MPW Mounting Plate** refer to Fig's. 7 or 8 for hanger bracket location and rough-in dimensions.

NOTE: Review separate installation instructions for details of the MPW Mounting Plate.

Fountains using the MP20 Wall Plate Assy. refer to Fig's. 5 or 6 for rough-in dimensions.

- 2. Shown dimensions pertain** to installation location (framing must support up to 150 lbs. weight for single fountain and 300 lbs. for dual fountains). These dimensions are required for compliance with ANSI Standard A117.0.
- 3. Install rough-in plumbing** as shown in Fig's. 3,4,5,6,7, or 8. Waste line should extend a minimum of 2" (51mm) thru the back panel. Run supply water inlet line thru back panel. Install a service stop (not provided). Turn on supply water and flush thoroughly.
- 4. Installing back panel.**
EDFP217C: Refer to Fig. 11 for placement of braces onto back panel.
 Place the upper edge of the panel above hanger bracket. Slide the panel down until it engages the hanger bracket. Be sure back panel is firmly engaged before releasing it.
EDFP217C w/MP20 Wall Plate Assy.: Place the upper edge of the panel above mounting plate on the wall. Slide the panel down until it engages the hanger. Be sure back panel is firmly engaged before releasing it.
- 5. Remove bottom access panel** from fountain basin and save the screws.
EDFP217C: Install the fountain to the back panel and wall using (4) 5/16" x 2.00" long lag bolts and washers (NOT PROVIDED).
EDFP217C w/MPW Mounting Plate: Install the fountain to the back panel and wall using (4) 5/16" x 6" long threaded rods, washers, and nuts (provided). Tighten securely.
EDFP217C w/MP20 Wall Plate Assy.: Install the fountain to the back panel using (4) 5/16" x 1.00" long bolts and washers (provided) thru holes in back panel. Tighten securely.
(NOTE: Fasteners for securing Wall Plate Assy. to the wall are not provided).
- 6. Remove elbow from end** of p-trap and attach it to drain tube. Reattach elbow to p-trap and cut waste tube to required length using plumbing hardware and trap as a guide. Install hardware and trap. Tighten securely.
- 7. Make water supply connections** from service stop to the fountain strainer. Insert the water inlet line into the inlet side of strainer until it reaches a positive stop - about 3/4" (See Fig. 2). Turn on water supply and check for leaks. Newly installed water supply line should be insulated after leak check is completed. **DO NOT SOLDER TUBES INSERTED INTO THE STRAINER AS DAMAGE TO THE O-RINGS MAY RESULT.**
- 8. Check stream height from bubbler.** Stream height is factory set at 35 PSI. If supply pressure varies greatly from this, adjust the screw on regulator, item 10 by using a small screwdriver through the small hole in the push button item 3 (See Fig. 13). Clockwise adjustment will raise stream height and counter-clockwise will lower stream height. For best adjustment stream height should hit basin approximately 6-1/2" (165mm) from bubbler.
- 9. These products are designed** to operate on 20-105 PSIG supply line pressure. If inlet pressure is above 105 PSIG, a pressure regulator must be installed in the supply line. Any damage caused by reason of connecting these products to supply line pressure lower than 20 PSIG or higher than 105 PSIG is not covered by warranty.
- 10. Replace bottom access panel** to fountain basin using screws provided. Tighten securely.

TROUBLE SHOOTING AND MAINTENANCE

- 1. Orifice Assy:** Mineral deposits on orifice can cause water flow to spurt or not regulate. Mineral deposits maybe removed from orifice with a small round file not over 1/8" diameter or a small diameter wire.
CAUTION: Do not file or cut orifice materials.
- 2. Stream Regulator:** If orifice is free of material deposits, regulate flow according to instruction 8 stated above.
- 3. Actuation of Quick Connect Water Fittings:** Cooler is provided with lead-free connectors which utilize an o-ring water seal. To remove tubing from the fitting, relieve water pressure, push in on the gray collar while pulling on the tubing (See Fig. 2). To insert tubing, push tube straight into the fitting until it reaches a positive stop, approximately 3/4".

EDFP217C

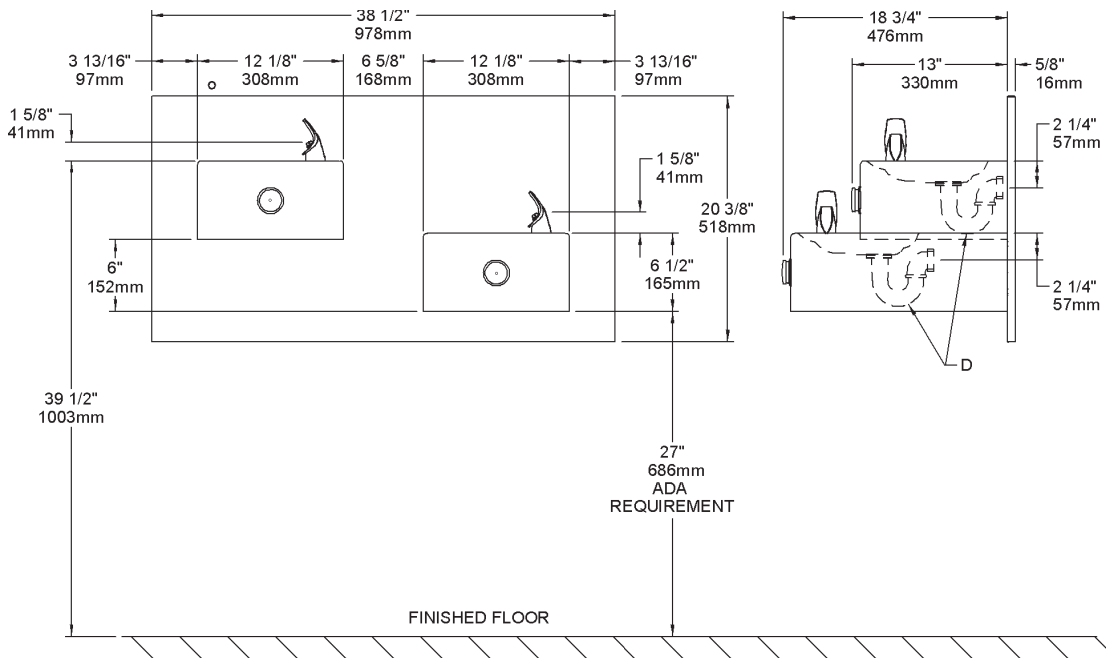
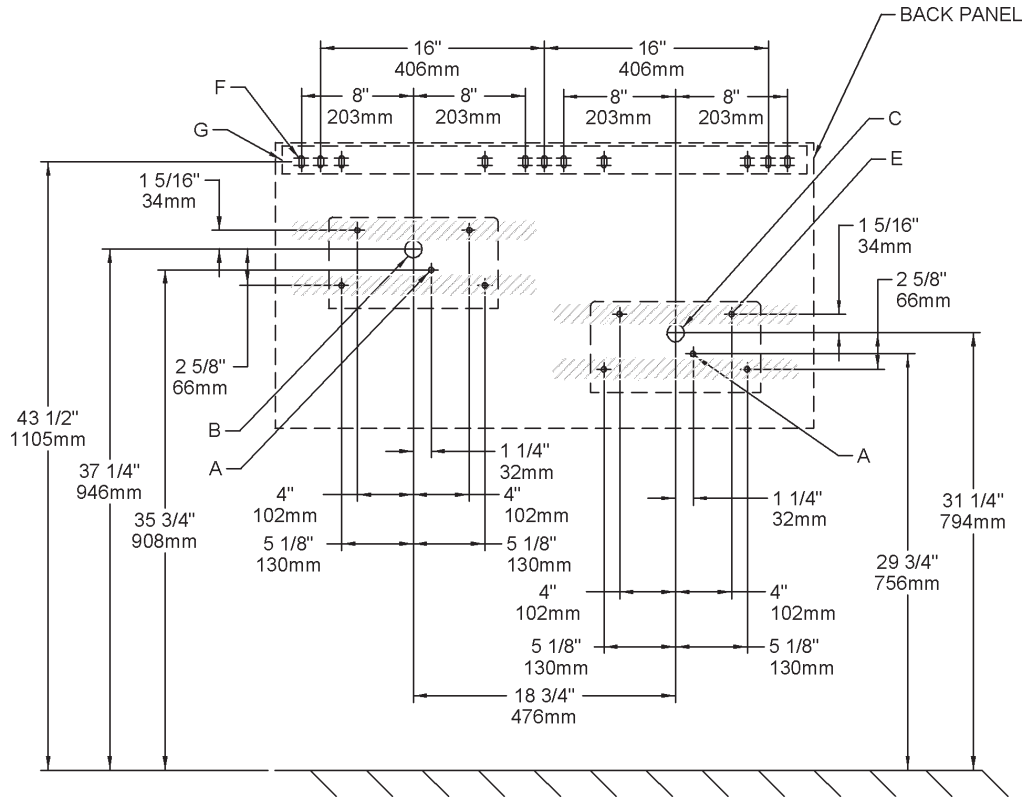


FIG. 3

LEGEND

A = RECOMMENDED WATER SUPPLY LOCATION 3/8 O.D. UNPLATED COPPER TUBE CONNECT STUBBED 1-1/2" (38mm) FROM WALL SHUT OFF BY OTHERS

B = RECOMMENDED LOCATION FOR WASTE OUTLET 1-1/4" O.D. DRAIN STUBBED 1-1/2" (35mm) FROM THE WALL

C = RECOMMENDED LOCATION FOR WASTE OUTLET 1-1/4" O.D. DRAIN STUBBED 6-3/4" (168mm) FROM THE WALL

NOTE: REINFORCE THE WALL IN THE SHADED AREAS.

D = 1-1/4" TRAP FURNISHED

E = 3/8" (10mm) DIA. HOLES FOR SECURING FOUNTAIN TO WALL

F = 3/8" (10mm) DIA. SLOTS FOR MOUNTING HANGER TO WALL

G = WALL HANGER FURNISHED LOOSE

EDFP217RAC

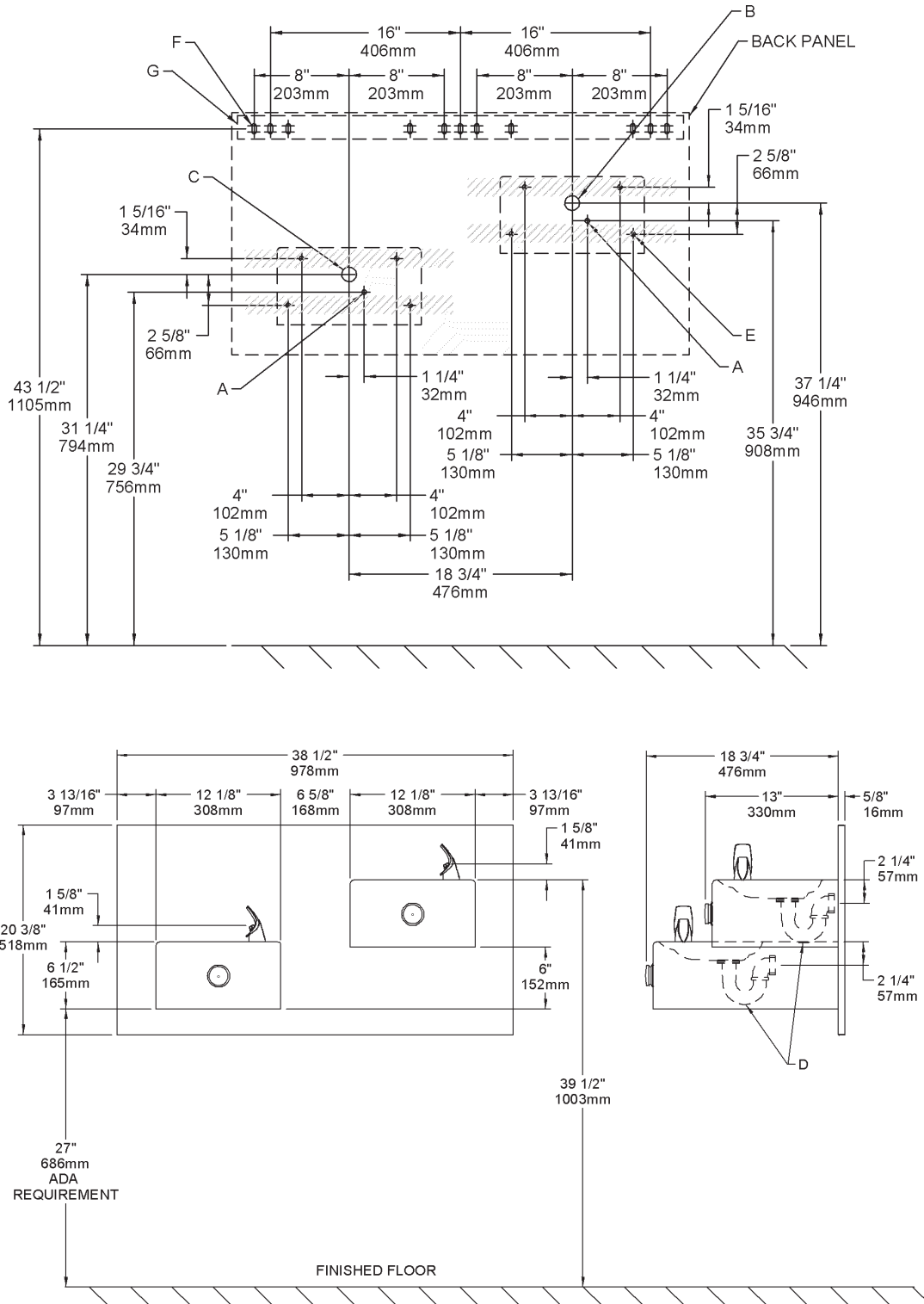


FIG. 4

LEGEND

- A = RECOMMENDED WATER SUPPLY LOCATION 3/8 O.D. UNPLATED COPPER TUBE CONNECT STUBBED 1-1/2" (38mm) FROM WALL SHUT OFF BY OTHERS
 - B = RECOMMENDED LOCATION FOR WASTE OUTLET 1-1/4" O.D. DRAIN STUBBED 1-1/2" (35mm) FROM THE WALL
 - C = RECOMMENDED LOCATION FOR WASTE OUTLET 1-1/4" O.D. DRAIN STUBBED 6-3/4" (168mm) FROM THE WALL
- NOTE: REINFORCE THE WALL IN THE SHADED AREAS.

- D = 1-1/4" TRAP FURNISHED
- E = 3/8" (10mm) DIA. HOLES FOR SECURING FOUNTAIN TO WALL
- F = 3/8" (10mm) DIA. SLOTS FOR MOUNTING HANGER TO WALL
- G = WALL HANGER FURNISHED LOOSE

EDFP217C W/MOUNTING PLATE

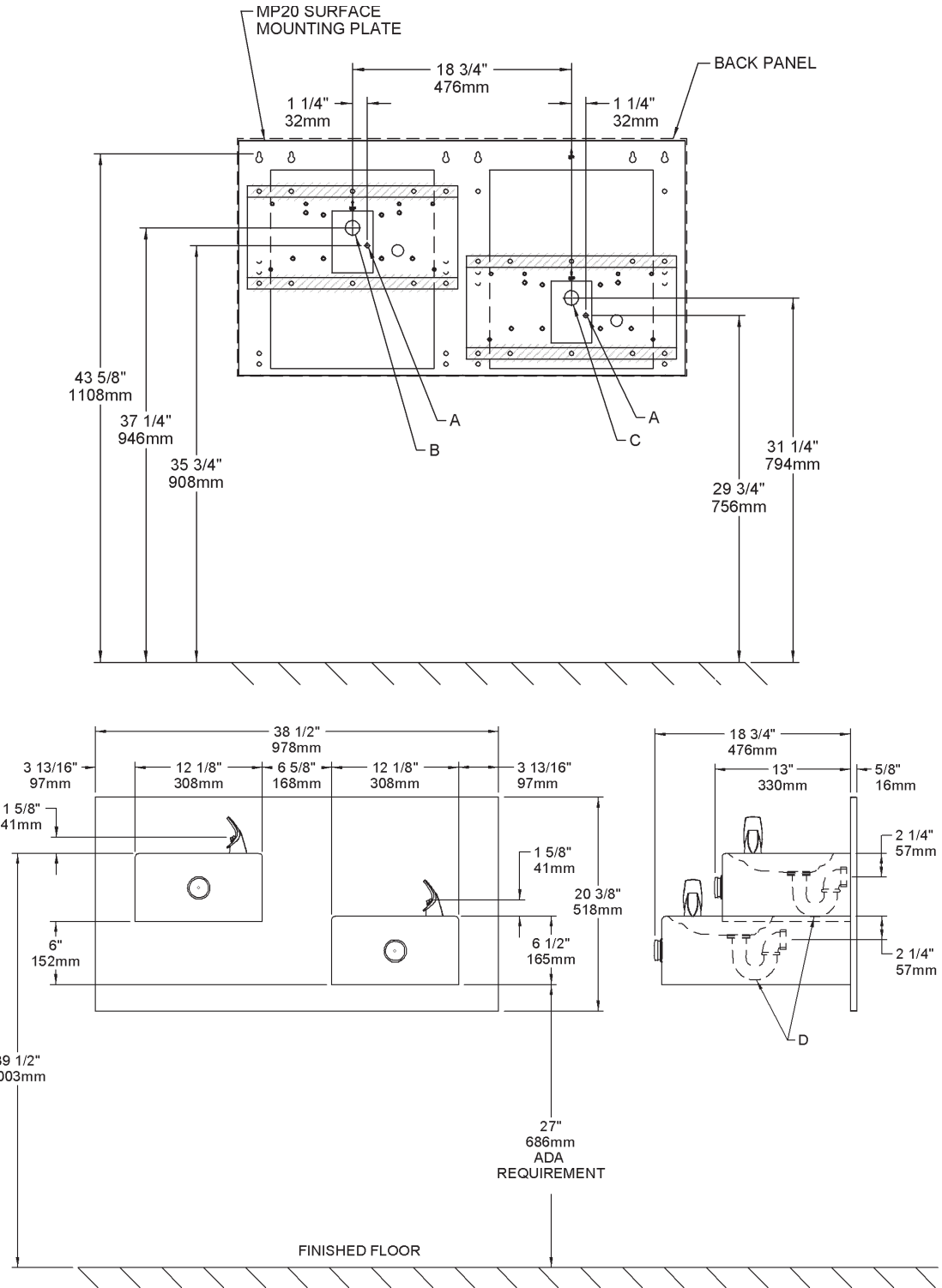


FIG. 5

LEGEND

- A = RECOMMENDED WATER SUPPLY LOCATION 3/8 O.D. UNPLATED COPPER TUBE CONNECT STUBBED 1-1/2" (38mm) FROM WALL SHUT OFF BY OTHERS
- B = RECOMMENDED LOCATION FOR WASTE OUTLET 1-1/4" O.D. DRAIN STUBBED 1-1/2" (35mm) FROM THE WALL
- C = RECOMMENDED LOCATION FOR WASTE OUTLET 1-1/4" O.D. DRAIN STUBBED 6-3/4" (168mm) FROM THE WALL
- D = 1-1/4" TRAP FURNISHED

NOTE:

REFERENCE SEPARATE INSTALLATION INSTRUCTIONS. FOR DETAILS ON MP20 SURFACE MOUNTING PLATE.

EDFP217RAC W/MOUNTING PLATE

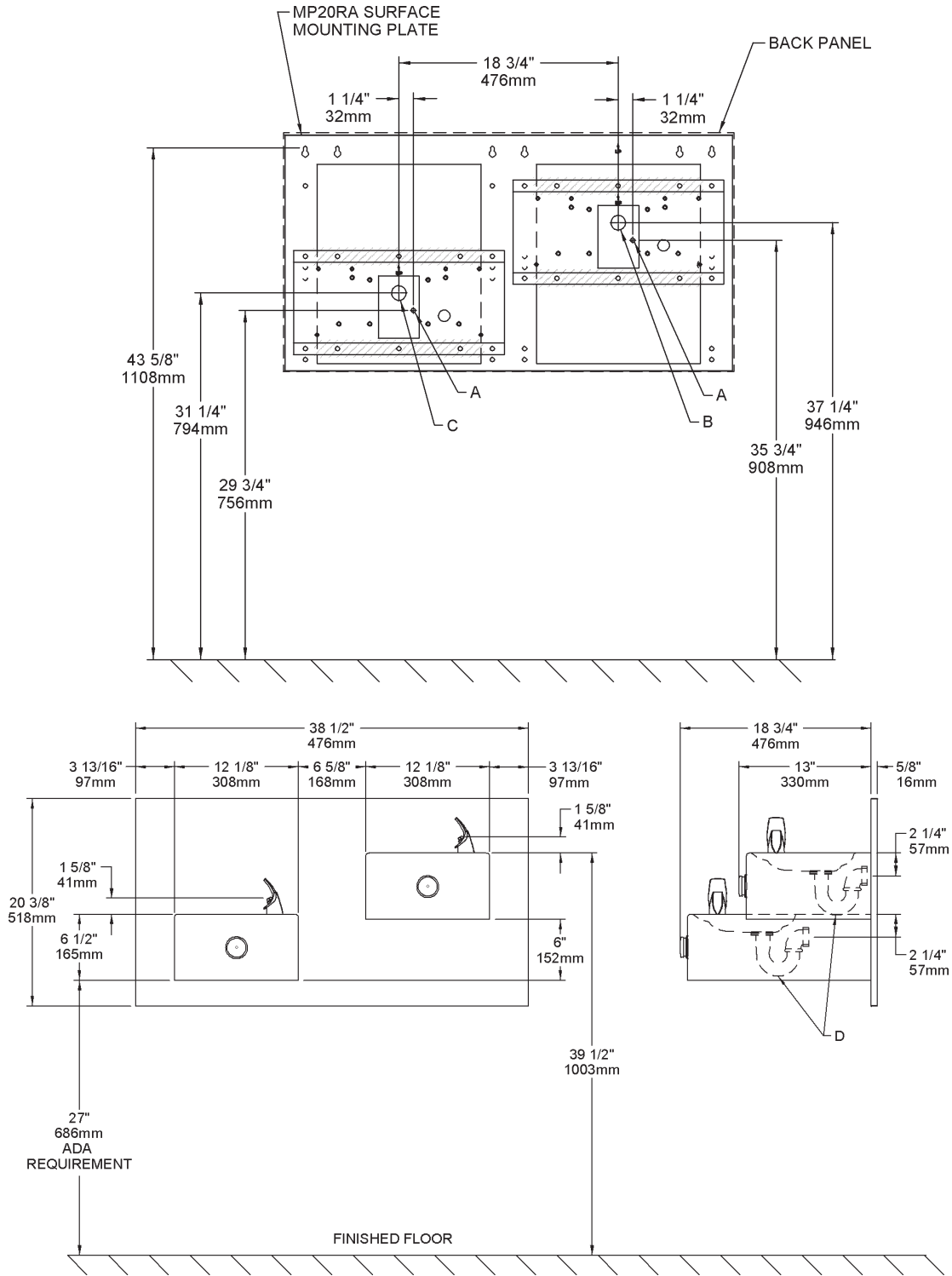


FIG. 6

LEGEND

- A = RECOMMENDED WATER SUPPLY LOCATION 3/8 O.D. UNPLATED COPPER TUBE CONNECT STUBBED 1-1/2" (38mm) FROM WALL SHUT OFF BY OTHERS
- B = RECOMMENDED LOCATION FOR WASTE OUTLET 1-1/4" O.D. DRAIN STUBBED 1-1/2" (35mm) FROM THE WALL
- C = RECOMMENDED LOCATION FOR WASTE OUTLET 1-1/4" O.D. DRAIN STUBBED 6-3/4" (168mm) FROM THE WALL
- D = 1-1/4" TRAP FURNISHED

NOTE:

REFERENCE SEPARATE INSTALLATION INSTRUCTIONS. FOR DETAILS ON MP20RA SURFACE MOUNTING PLATE.

EDFP217C W/MPW200 MOUNTING PLATE

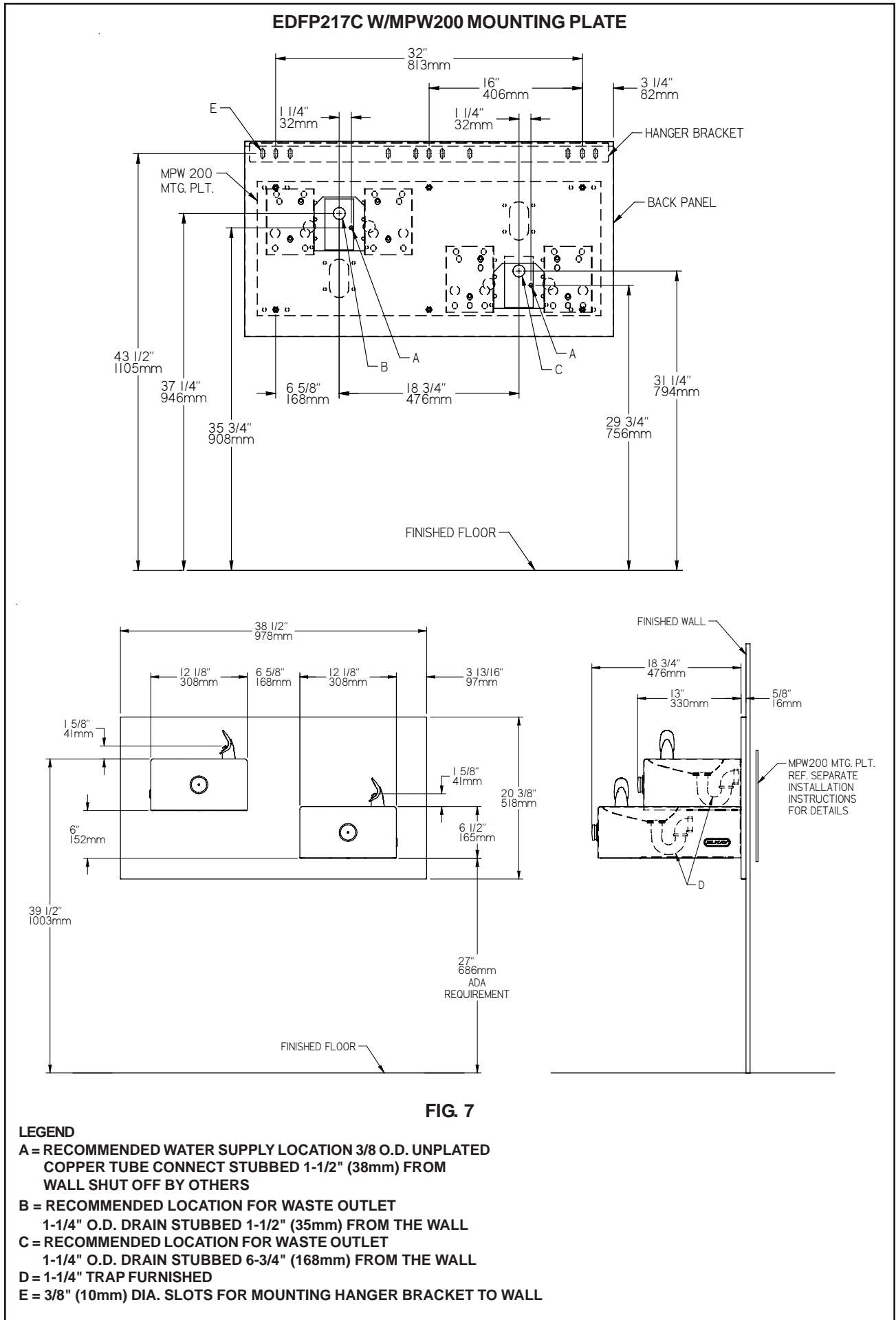


FIG. 7

LEGEND

- A = RECOMMENDED WATER SUPPLY LOCATION 3/8" O.D. UNPLATED COPPER TUBE CONNECT STUBBED 1-1/2" (38mm) FROM WALL SHUT OFF BY OTHERS
- B = RECOMMENDED LOCATION FOR WASTE OUTLET 1-1/4" O.D. DRAIN STUBBED 1-1/2" (35mm) FROM THE WALL
- C = RECOMMENDED LOCATION FOR WASTE OUTLET 1-1/4" O.D. DRAIN STUBBED 6-3/4" (168mm) FROM THE WALL
- D = 1-1/4" TRAP FURNISHED
- E = 3/8" (10mm) DIA. SLOTS FOR MOUNTING HANGER BRACKET TO WALL

EDFP217RAC W/MPW200 MOUNTING PLATE

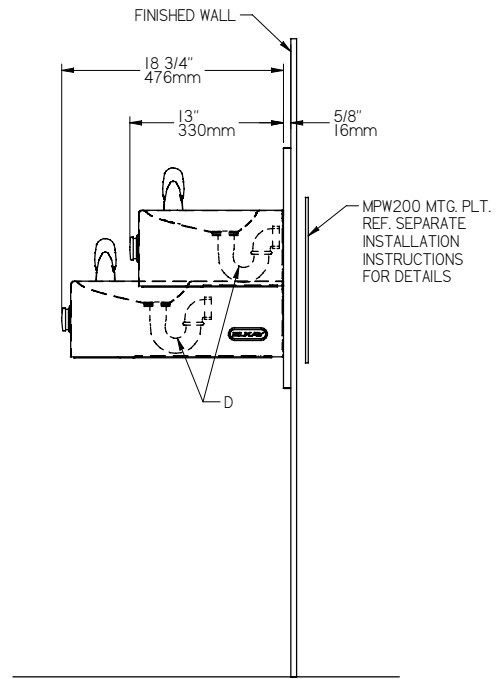
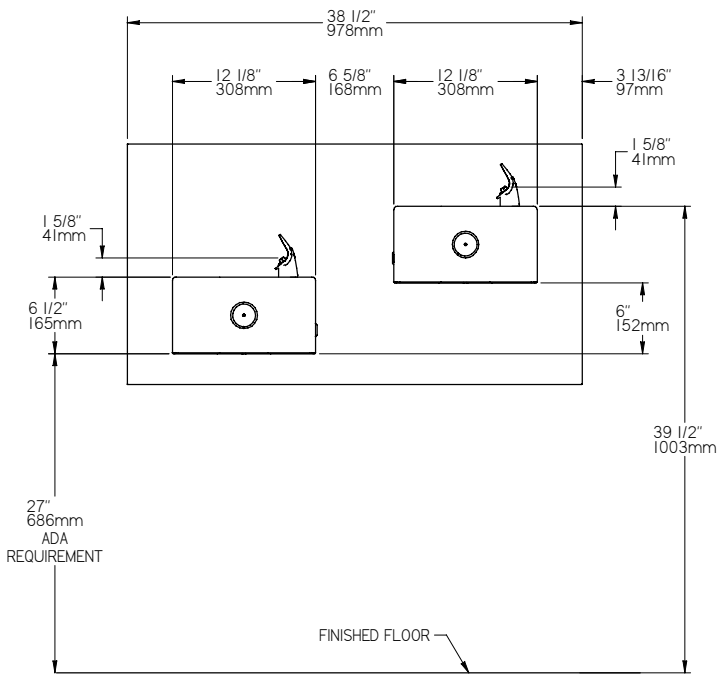
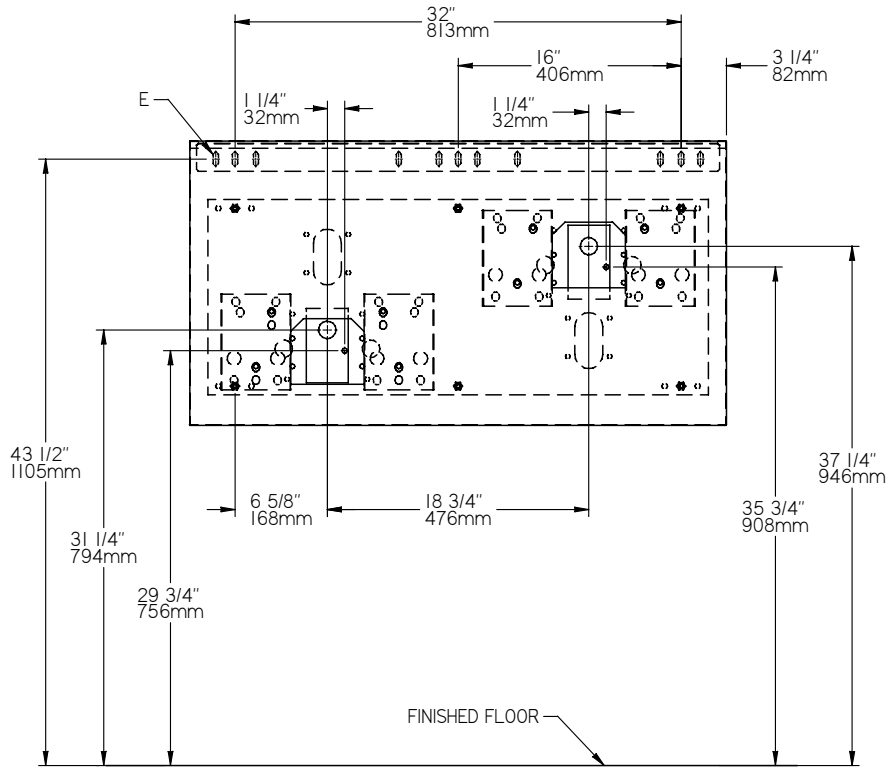


FIG. 8

LEGEND

- A = RECOMMENDED WATER SUPPLY LOCATION 3/8 O.D. UNPLATED COPPER TUBE CONNECT STUBBED 1-1/2" (38mm) FROM WALL SHUT OFF BY OTHERS
- B = RECOMMENDED LOCATION FOR WASTE OUTLET 1-1/4" O.D. DRAIN STUBBED 1-1/2" (35mm) FROM THE WALL
- C = RECOMMENDED LOCATION FOR WASTE OUTLET 1-1/4" O.D. DRAIN STUBBED 6-3/4" (168mm) FROM THE WALL
- D = 1-1/4" TRAP FURNISHED
- E = 3/8" (10mm) DIA. SLOTS FOR MOUNTING HANGER BRACKET TO WALL

FIG. 9

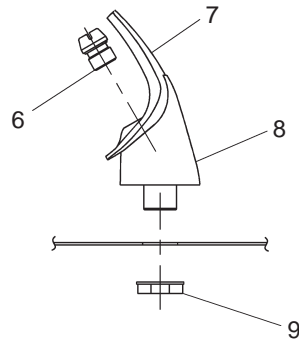
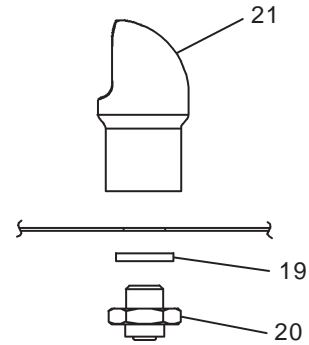
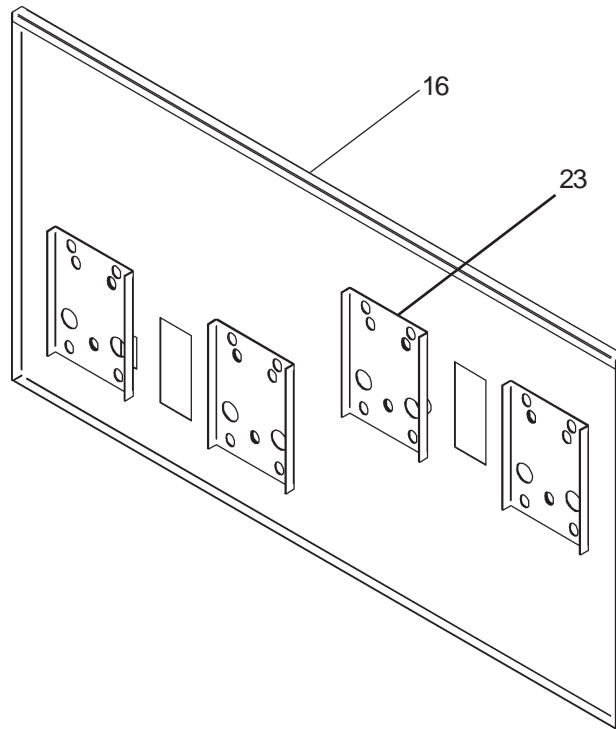


FIG. 10



NOTE: WHEN INSTALLING REPLACEMENT BUBBLER AND PEDESTAL, TIGHTEN NUT (ITEM 9 OR 20) ONLY TO HOLD PARTS SNUG IN POSITION. DO NOT OVER TIGHTEN.

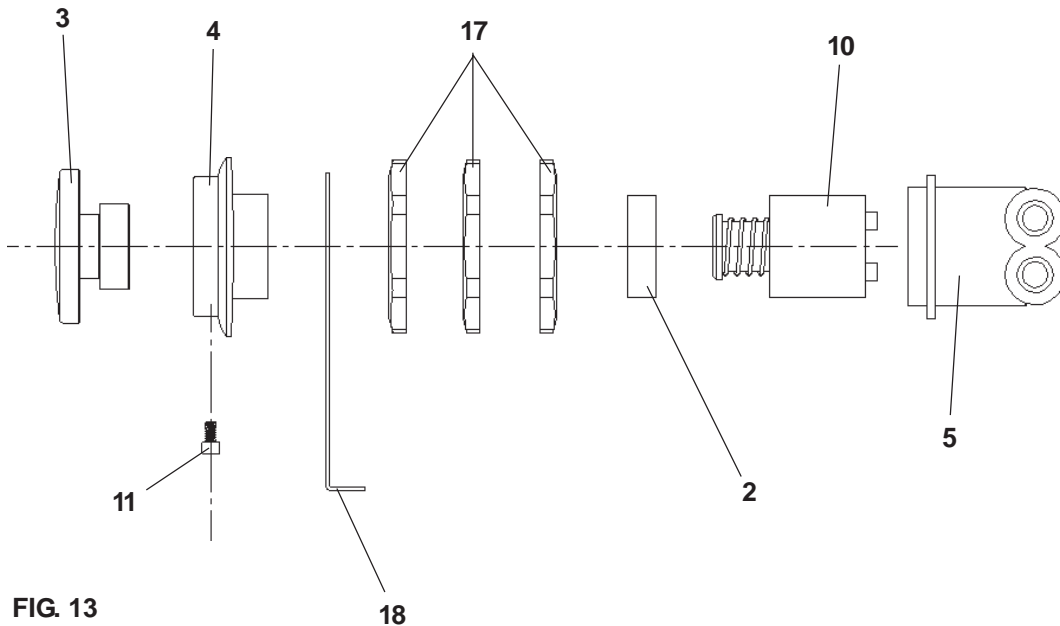
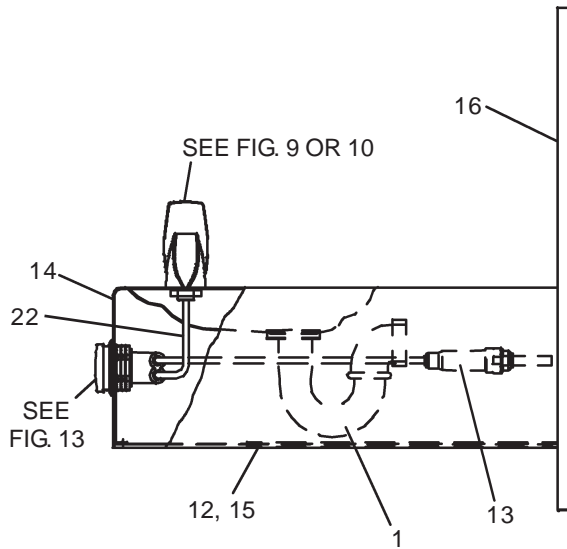
FIG. 11



Installing back panel: When installing back panel (item 16) without mounting plate accessory MP20 or MP20RA, attach (4) channel braces (item 23) as shown in Fig. 11. Remove the protective backing from the tape installed on the brace. Line up the corresponding holes in the brace and back panel and press firmly in place.

PARTS LIST		
ITEMNO.	PARTNO.	DESCRIPTION
1	LK464	DRAIN
2	15005C	RETAINING NUT
3	45662C	PUSH BUTTON
4	45663C	PUSH BUTTON SLEEVE
5	50986C	REGULATOR HOLDER
6	A54874	ORIFICE ASSY
7	56011C	HOUSING ASSY
8	55997C	PEDESTAL
9	75580C	BUBBLER LOCKNUT
10	61313C	REGULATOR
11	75672C	CAP SCREW
12	112627543890	SCREW - #10-24 X .50 PHTC
13	55996C	STRAINER
14	28782C	FOUNTAIN ARM - SHORT
14	28783C	FOUNTAIN ARM - LONG
14	27959C	FOUNTAIN ARM - LONG (GLASSFILLER)
15	55000661	BOTTOM COVER PLATE - SHORT
15	55000665	BOTTOM COVER PLATE - LONG
16	28250C	BACK PANEL RH ADA
16	28252C	BACK PANEL LH ADA
17	40045C	HEX NUT
18	28823C	REGULATOR MOUNTING BRACKET
19	100322740560	GASKET - (VR MODEL ONLY)
20	15009C	BUBBLER - NIPPLE - (VR MODEL ONLY)
21	45392C	BUBBLER - (VR MODEL ONLY)
22	56092C	POLY TUBING (CUT TO LENGTH)
23	28234C	BRACE-CHANNEL
NS	70682C	TEE - 1/4
NS	27090C	BRACKET - HANGER PANEL

FIG. 12



FOR PARTS, CONTACT YOUR LOCAL DISTRIBUTOR OR CALL 1.800.323.0620
 ELKAY MANUFACTURING COMPANY • 2222 CAMDEN COURT • OAK BROOK, IL 60523 • 630.574.8484