

MLP200

Mounting Plate Instructions

Model MLP200



Installer

To assure you install this model easily and correctly, PLEASE READ THESE SIMPLE INSTRUCTIONS BEFORE STARTING THE INSTALLATION. CHECK YOUR INSTALLATION FOR COMPLIANCE WITH PLUMBING, ELECTRICAL AND OTHER APPLICABLE CODES. After installation, keep these instructions for future reference.

IMPORTANT

ALL SERVICE TO BE PERFORMED BY AN AUTHORIZED SERVICE PERSON

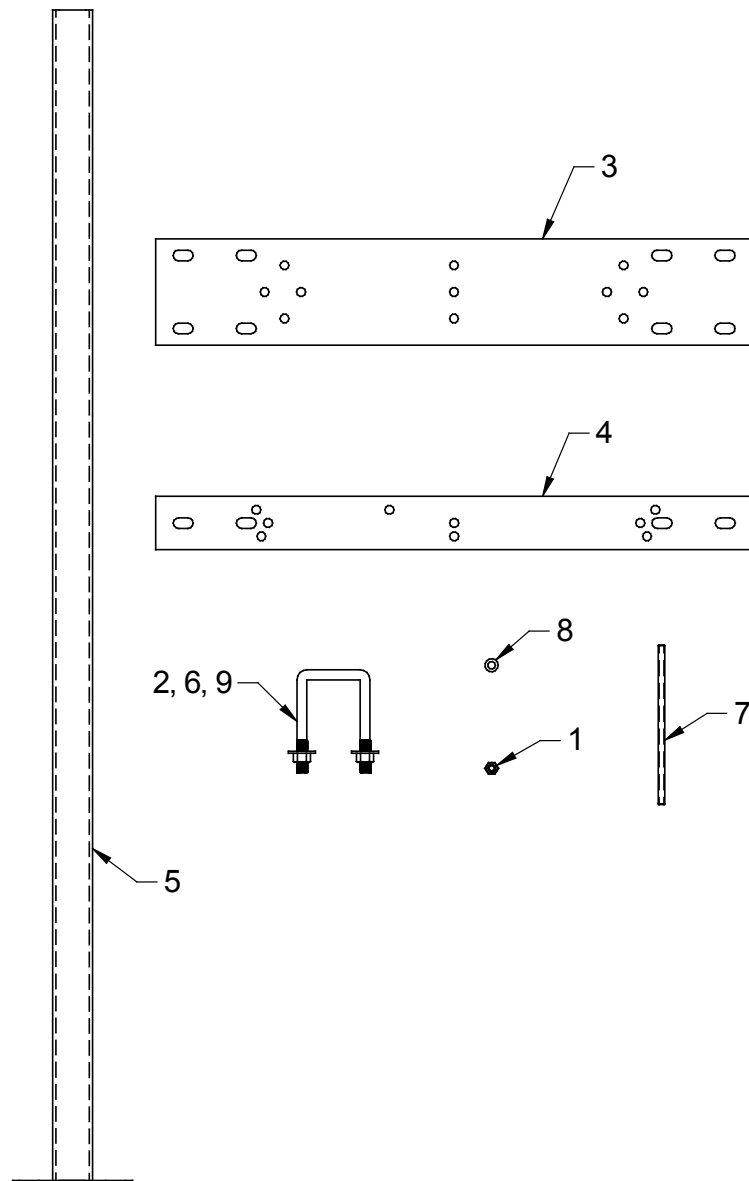
MLP200

This Mounting Plate System is designed for use with the following models:
EMABF-TL, EZ-TL, HAC-BL, HTVZ-BL, HVR-BL, and VRC-TL.

Parts List

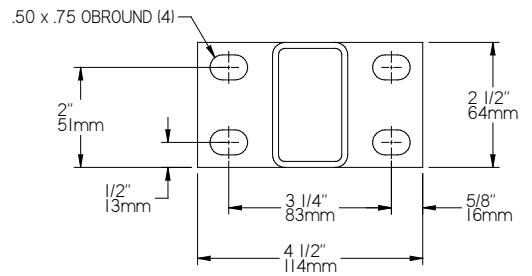
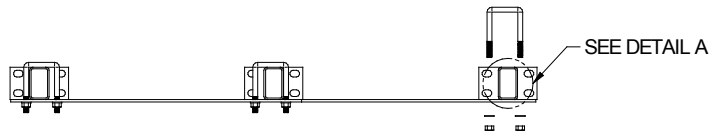
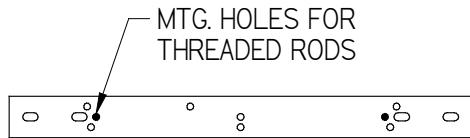
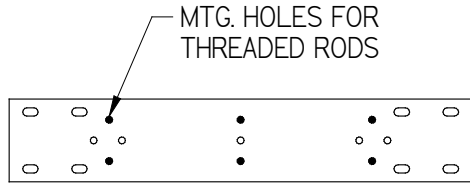
Refer to the illustration to make sure you receive the required mounting plate parts. If any parts are missing, contact customer service at 1.800.476.4106.

ITEM NO.	QTY.	PART NO.	DESCRIPTION
1	32	110041643890	Hex Nut 1/4-20
2	12	110175443890	Hex Nut 3/8-16
3	1	28779C	Upper Mounting Plate
4	1	28780C	Lower Mounting Plate
5	2	28781C	Support Column Assy.
6	6	75707C	U-Bolt 3/8-16 UNC 2A
7	8	75711C	Threaded Rod 1/4-20 x 6 In.
8	32	75544C	Flat Washer 1/4 In.
9	12	75545C	Flat Washer 3/8 In.

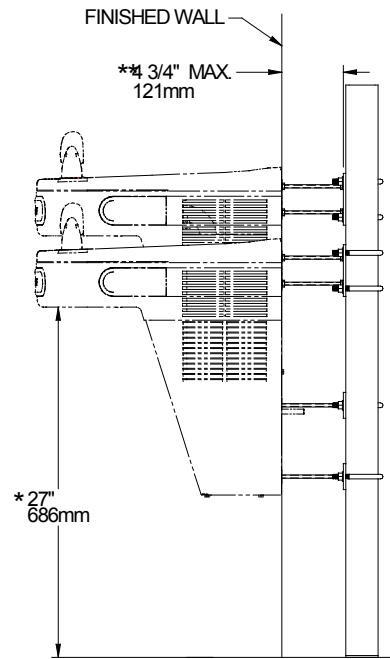
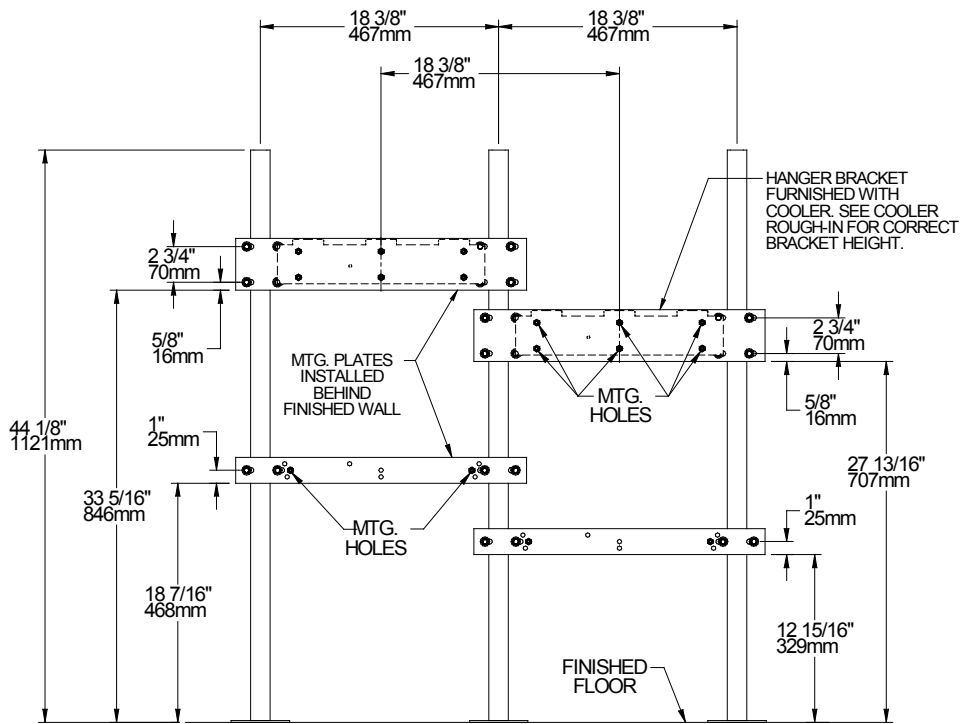
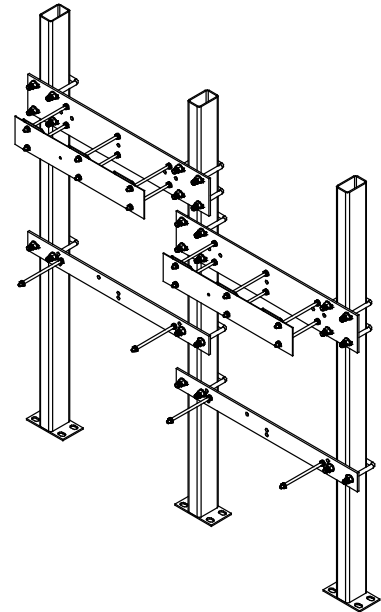


MLP200

EZ-TL and HTVZ-BL Models - For electrical, waste, and water supply locations please refer to the Installation/Owners Manual for the specific unit.



DETAIL A



* ADA REQUIREMENT - REDUCE HEIGHT BY 3" FOR INSTALLATION OF CHILDRENS ADA COOLER.

** WITH STANDARD STUD LENGTH OF 6 INCHES.

NOTE - AFTER INSTALLATION, U-BOLTS AND THREADED RODS MAY NEED TO BE TRIMMED.

For Technical Service, please contact us at 1.800.476.4106