

# **ELKAY**® *With FLEXI-GUARD*®

## **INSTALLATION & USE MANUAL**

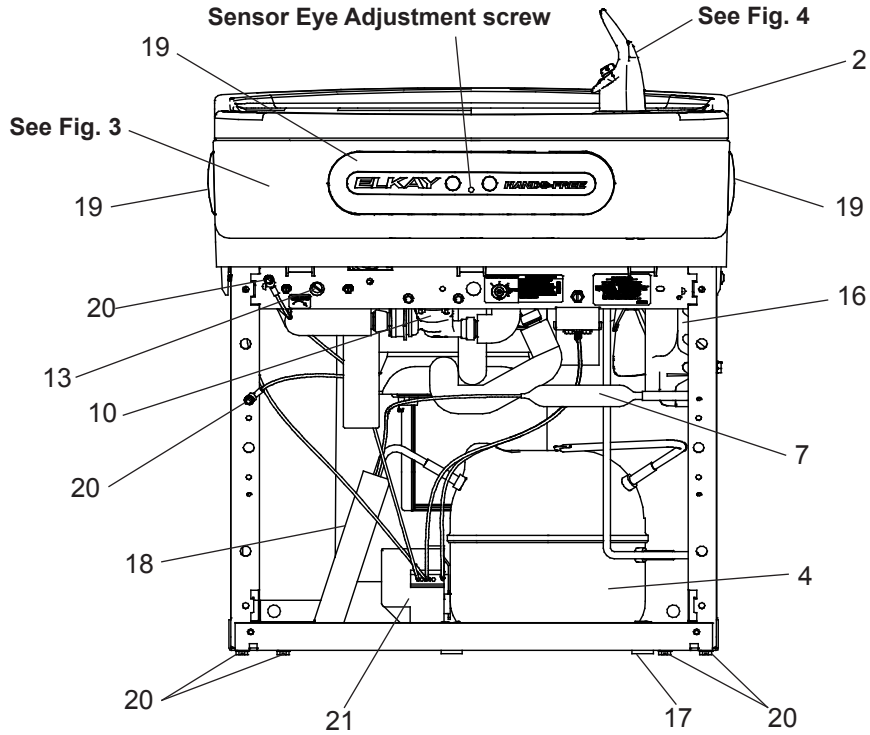
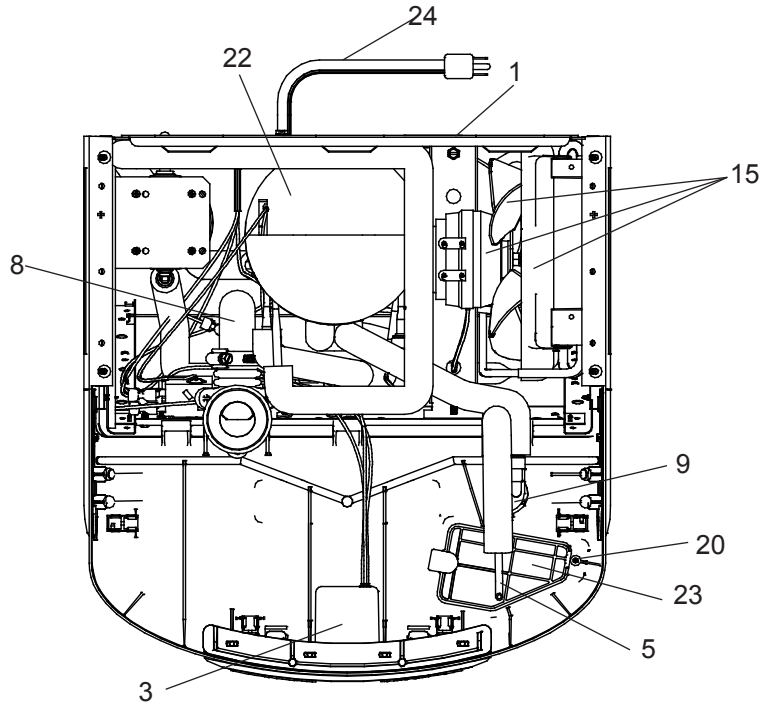
### *LZO™ Series Sensor-Operated Water Coolers*



Model LZO8L

**Note: Danger! Electrical shock hazard. Disconnect power before servicing unit.**

Uses HFC-134A refrigerant



**FIG. 1**

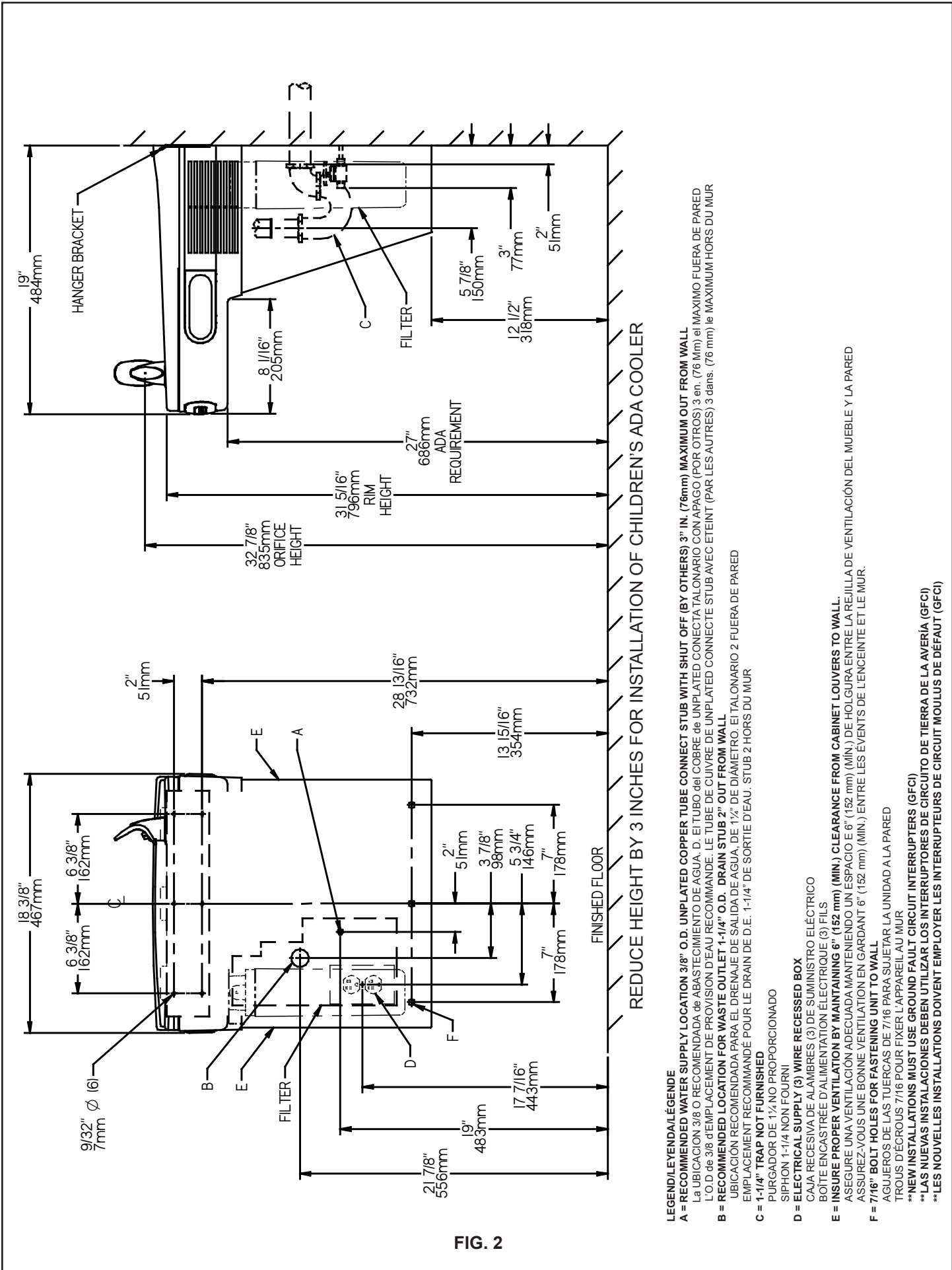


FIG. 2

**LEGEND/LEYENDA/LÉGENDE**  
**A = RECOMMENDED WATER SUPPLY LOCATION 3/8" O.D. UNPLATED COPPER TUBE CONNECT STUB WITH SHUT OFF (BY OTHERS) 3" IN. (76mm) MAXIMUM OUT FROM WALL**  
 La UBICACION 3/8" O. RECOMENDADA de ABASTECIMIENTO DE AGUA. D. EL TUBO del COBRE de UNPLATED CONECTA TALONARIO CON APAGO (POR OTROS) 3 en. (76 Mm) el MAXIMO FUERA DE PARED  
 L.O.D. de 3/8" d'EMPLACEMENT DE PROVISION D'EAU RECOMMANDE. LE TUBE DE CUIVRE DE UNPLATED CONNECTE STUB AVEC ETEINT (PAR LES AUTRES) 3 dans. (76 mm) le MAXIMUM HORS DU MUR

**B = RECOMMENDED LOCATION FOR WASTE OUTLET 1-1/4" O.D. DRAIN STUB 2" OUT FROM WALL**  
 UBICACION RECOMENDADA PARA EL DRENAJE DE SALIDA DE AGUA. DE 1 1/4" DE DIAMETRO. EL TALONARIO 2 FUERA DE PARED  
 EMBLACEMENT RECOMMANDE POUR LE DRAIN DE D.E. 1-1/4" DE SORTIE D'EAU. STUB 2 HORS DU MUR

**C = 1-1/4" TRAP NOT FURNISHED**  
 PURGADOR DE 1 1/4" NO PROPORCIONADO  
 SIPHON 1-1/4" NON FOURNI

**D = ELECTRICAL SUPPLY (3) WIRE RECESSED BOX**  
 CAJA RECESIVA DE ALAMBRES (3) DE SUMINISTRO ELÉCTRICO  
 BOÎTE ENCASTRÉE D'ALIMENTATION ÉLECTRIQUE (3) FILS

**E = INSURE PROPER VENTILATION BY MAINTAINING 6" (152 mm) (MIN.) CLEARANCE FROM CABINET LOUVERS TO WALL.**  
 ASSUREZ UNE VENTILATION ADECUADA MANTENIENDO UN ESPACIO E 6" (152 mm) (MIN.) DE HOLGURA ENTRE LA REJILLA DE VENTILACIÓN DEL MUEBLE Y LA PARED  
 ASSUREZ-VOUS UNE BONNE VENTILATION EN GARDANT 6" (152 mm) (MIN.) ENTRE LES EVENTS DE L'ENCEINTE ET LE MUR.

**F = 7/16" BOLT HOLES FOR FASTENING UNIT TO WALL**  
 AGUJEROS DE LAS TUERCAS DE 7/16" PARA SUJETAR LA UNIDAD A LA PARED  
 TROUS D'ÉCROUS 7/16" POUR FIXER L'APPAREIL AU MUR

**\*\*NEW INSTALLATIONS MUST USE GROUND FAULT CIRCUIT INTERRUPTERS (GFCI)**  
**\*\*LAS NUEVAS INSTALACIONES DEBEN UTILIZAR LOS INTERRUPTORES DE CIRCUITO DE TIERRA DE LA AVERÍA (GFCI)**  
**\*\*LES NOUVELLES INSTALLATIONS DOIVENT EMPLOYER LES INTERRUPTEURS DE CIRCUIT MOULUS DE DÉFAUT (GFCI)**

## HANGER BRACKETS & TRAP INSTALLATION

- 1) Remove hanger bracket fastened to back of cooler by removing one (1) screw.
- 2) Mount the hanger bracket as shown in Fig. 2.

**NOTE:** Hanger Bracket **MUST** be supported securely. Add fixture support carrier if wall will not provide adequate support. Anchor hanger securely to wall using all six (6) 1/4 in. dia. mounting holes.

## INSTALLATION OF COOLER

- 3) Hang the cooler on the hanger bracket. Be certain the hanger bracket is engaged properly in the slots on the cooler back as shown in Fig. 2.
- 4) Remove the four (4) screws holding the lower front panel at the bottom of cooler. Remove the front panel by pulling straight down and set aside.
- 5) Connect water inlet line--See Note 4 of General Instructions.
- 6) Install trap. Remove the slip nut and gasket from the trap and install them on the cooler waste line making sure that the end of the waste line fits into the trap. Assemble the slip nut and gasket to the trap and tighten securely.

**IMPORTANT:** If it is necessary to cut the drain, loosen the screw at the black rubber boot and remove tube, check for leaks after re-assembly.

- 7) Plug in electrical power. Unit must have electrical power to have water flow.

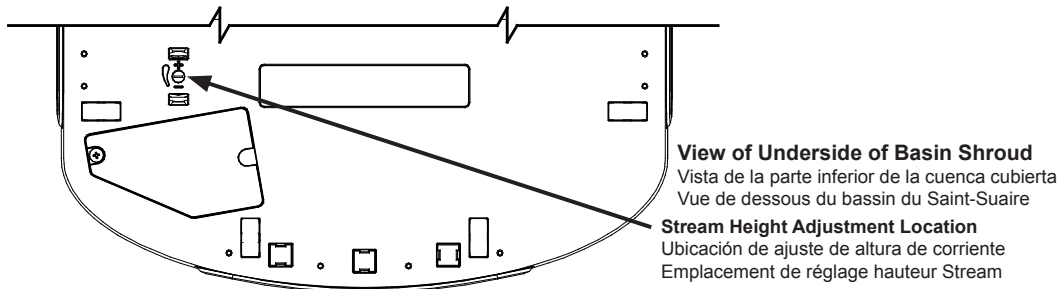
## START UP

### Also See General Instructions

- 8) Stream height is factory set at 35 PSI. If supply pressure varies greatly from this, adjust screw located on the right knee clearance area of the underside of the Basin Shroud. CW adjustment will raise stream and CCW adjustment will lower stream. For best adjustment, stream should hit basin approximately 6-1/2" (165mm) from bubbler on the downward slope of the basin.

**NOTE:** If continuous flow occurs at the end of the compressor cycle, turn cold control counterclockwise 1/4 turn.

- 9) Replace the front panel ensuring that the metal wrapper is secured inside of the upper shroud. Replace all four screws previously removed.



## SENSOR RANGE ADJUSTMENT:

The electronic sensor used in this cooler is factory pre-set for a "visual" range of 36 inches (914 mm). If actual range varies greatly from this or a different setting is desired, follow the range adjustment procedure below:

- Using a small tip screwdriver, locate range adjustment screw through the small hole between the sensor lenses (See Page 1.) Turn this screw clockwise to increase range and counterclockwise to decrease range (See Fig. 3).

**CAUTION:** Complete range of sensor (24-36 inches/610-1168mm) is only one turn of the adjusting screw.

## SENSOR WITH VISUAL FILTER MONITOR (VFM) – LZO SERIES:

The electronic sensor includes LED filter status indicators that are factory preset to monitor filter life. The sensor monitors the "ON" time of the water valve solenoid and keeps track of total time water is dispensed. There are (3) LED's and indicates the following:

Green LED (Good) indicates that the filter is operating within 0% - 80% of its life.

Yellow LED indicates that the filter is operating within 80% - 100% of its life.

Red LED (Replace) indicates that the filter needs to be replaced since it has reached end of filter life.

Once power is applied to the water cooler, if all three LED's flash then the Green LED illuminates, this indicates that there is some filter usage memory stored. When the Green LED comes on only, this indicates that the filter life is at absolute 0% of filter life. NOTE: You may have some very minimal filter life in memory upon receiving water cooler due to factory functional testing.

**NOTE:** The filter status will be retained until reset (see resetting filter monitor). The filter monitor will retain its memory even during a loss of power.

## RESETTING VISUAL FILTER MONITOR (VFM):

In order to reset the visual filter monitor status LED's, you must remove the access panel (item 23) underneath the front dispenser. With your finger or straight blade screw driver, reach inside opening and depress the reset button located on the back of the sensor for a minimum of 1 second. (You may need a flashlight) Reinstall access panel and the Green LED should be illuminated indicating that the visual filter monitor has been reset.

**SENSOR CONTROL:** If sensor fails to operate valve mechanism or operates erratically, check the following.

- A. Ensure there are no obstructions within a 40 inch (1016mm) radius in front of cooler.
- B. Check wire connections at the solenoid valve and sensor. **CAUTION:** Make sure unit is unplugged before checking any wiring.
- C. Ensure proper operation of solenoid valve. If there is an audible clicking sound yet no water flows, look for an obstruction in the valve itself or elsewhere in the water supply line.

## CLEANING

Warm, soapy water or mild household cleaning products can be used to clean the exterior panels of the EZ coolers. Extra caution should be used to clean the mirror finished stainless steel panels. They can be easily scratched and should only be cleaned with mild soap and water or Windex glass cleaner and a clean, soft cloth. Use of harsh chemicals or petroleum based or abrasive cleaners **will void the warranty.**

# Service Instructions

## Lower and Upper Shroud

To access the refrigeration system and plumbing connections, remove four screws from bottom of cooler to remove the lower shroud. To remove the upper shroud for access to the pushbars, regulator, solenoid valve or other components located in the top of the unit, remove lower shroud, disconnect drain, remove four screws from tabs along lower edge of upper shroud, unplug two wires and water tube.

## Bubbler

To remove the bubbler, first disconnect the power supply. The underside of the bubbler can be reached through the access panel (Item 23, Page 2) on the underside of the upper shroud (Item 6). Remove the access panel by removing the retaining screw. To remove the bubbler, loosen locknut from the underside of the bubbler and remove the tubing from the quick connect fitting per the Operation Of Quick Connect Fittings section in the General Instructions. After servicing, replace the access panel and retaining screw.

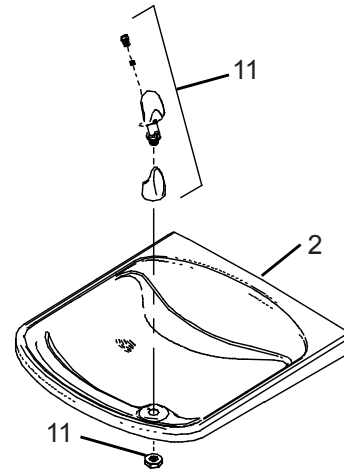
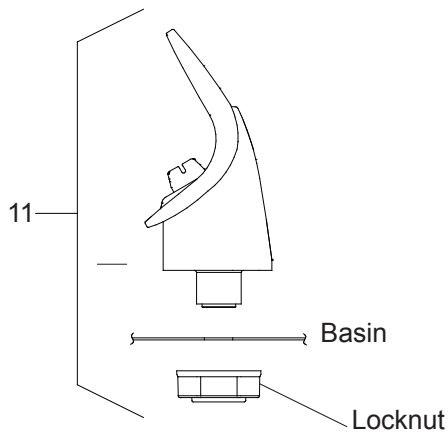
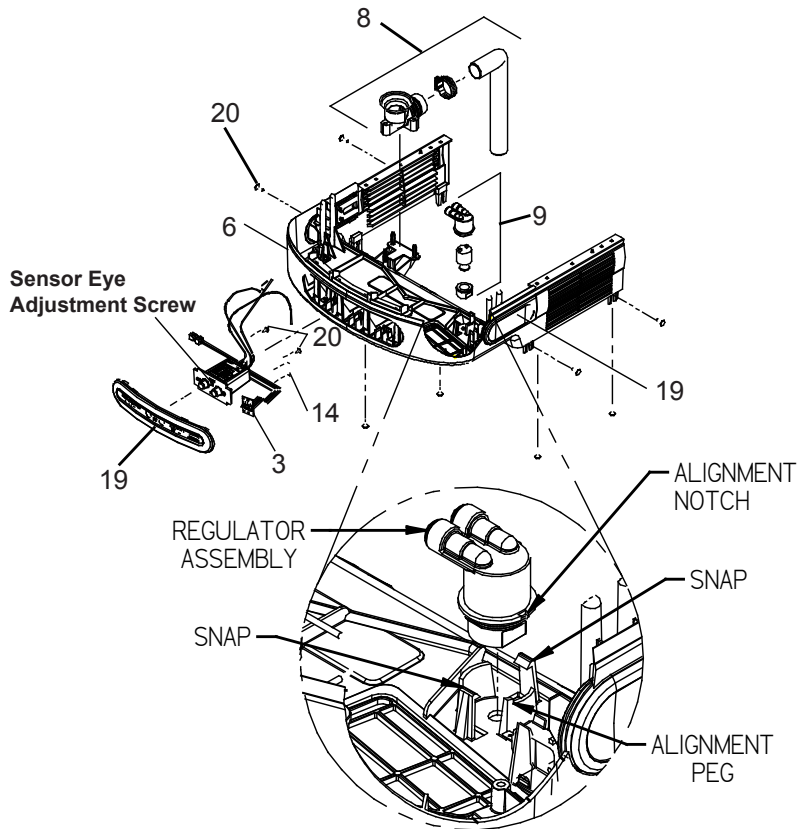


FIG. 3



BUBBLER DETAIL

FIG. 4

**NOTE:**

When installing replacement bubbler and pedestal, tighten locknut to hold parts snug in position. Do Not Overtighten.

115V PARTS LIST

| ITEM NO. | PART NO.   | DESCRIPTION  |
|----------|------------|--|
| 1        | 28401C     | Hanger Bracket   |
| 2        | 55001109   | Basin - Stainless Steel  |
| 3        | 36263C     | Sensor - VFM   |
|          | 36266C     | Sensor Assy - (Less Refrig. Unit)(Sensor/Fitting/Pin Terminal) |
| *4       | 36322C     | Compressor Serv. Pak   |
| 5        | 56092C     | Poly Tubing (Cut to Length)                                    |
| 6        | 56228C     | Upper Shroud Assembly  |
| 7        | 66703C     | Drier  |
| 8        | 97970C     | Kit - Drain Replacement (EZ)(Brkt/Tube/Ftg/Clamp)              |
| 9        | 1000004564 | Kit - Regulator w/Holder & Nut                                 |
| 10       | 1000004572 | Kit - Solenoid Valve/Regulator/Nut Assy.                       |
| 11       | 56073C     | Kit - Bubbler Assy/Nut   |
| 12       | 30873C     | Wire - Jumper  |
| 13       | 98773C     | Kit - Cold Control/Screws                                      |
| 14       | 75710C     | 2-28 x .250 48-2 Plastite Screw                                |
| 15       | 98775C     | Kit - Fan Motor Assy/Blade/Motor/Shroud/Screws/Nut             |
| 16       | 98776C     | Kit - Condenser/Drier  |
| 17       | 98777C     | Kit - Compr Mtg Hdwe/Grommets/Clips/Studs                      |
| 18       | 98778C     | Kit - Heatx/Drier  |
| 19       | 98897C     | Kit - LZO Pushbar Front/Side                                   |
| 20       | 98898C     | Kit - Hardware (EZ) for Panels                                 |
| 21       | 000000238  | Kit - Compr Elect Relay/Overload/Cover                         |
| 22       | 98724C     | Kit - Evaporator Replacement Assy.                             |
| 23       | 56213C     | Panel - Access   |
| 24       | 36285C     | Power Cord (Refrig. Unit)                                      |
|          | 31376C     | Power Cord (Less Refrig. Unit)                                 |
| NS       | 27416C     | Kit - Wrapper - Stainless                                      |
|          | 27413C     | Kit - Wrapper - Light Grey                                     |

NS = Not Shown

**\*INCLUDES RELAY & OVERLOAD. IF UNDER WARRANTY, REPLACE WITH SAME COMPRESSOR USED IN ORIGINAL ASSEMBLY.**

**NOTE:** All correspondence pertaining to any of the above water coolers or orders for repair parts MUST include Model No. and Serial No. of cooler, name and part number of replacement part.

220V PARTS LIST

| ITEM NO. | PART NO.   | DESCRIPTION                            |
|----------|------------|--|
| *4       | 1000002147 | Compressor Serv. Pak (220V/50Hz)       |
|          | 1000002146 | Compressor Serv. Pak (220V/60Hz)       |
| 10       | 1000004575 | Kit - Solenoid Valve/Reg./Nut Assy.    |
| 15       | 0000000245 | Kit - Fan Motor/Blade (220V 50Hz-60Hz) |
| 21       | 98751C     | Kit - Overload/Relay/Cover (220V/50Hz) |
|          | 98752C     | Kit - Overload/Relay/Cover (220V/60Hz) |
| 24       | 36066C     | Power Cord                             |
| 25       | 33133000   | Adapt - Tab .250                       |
| NS       | 28030C     | Brkt - Power Inlet                     |
| NS       | 35826C     | Inlet Power                            |

NS = Not Shown

WATERSENTRY® Filter Detail

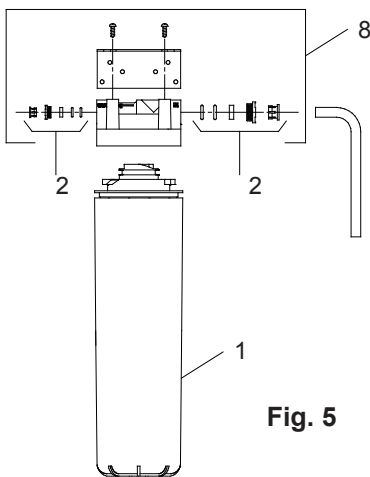
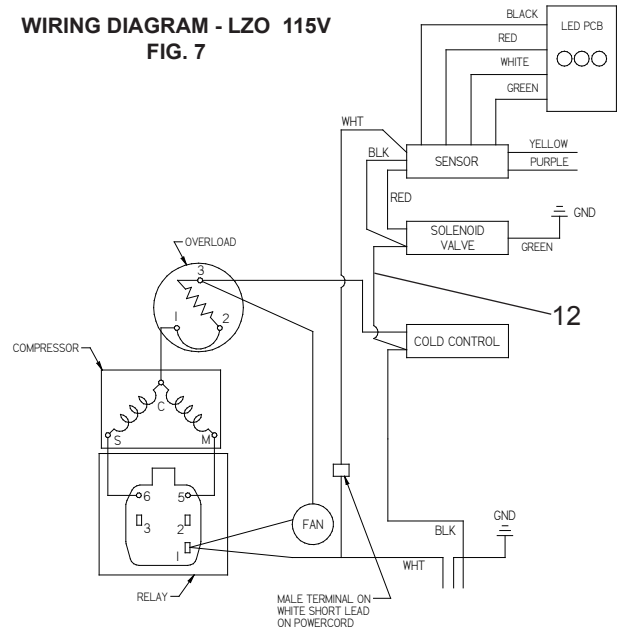


Fig. 5

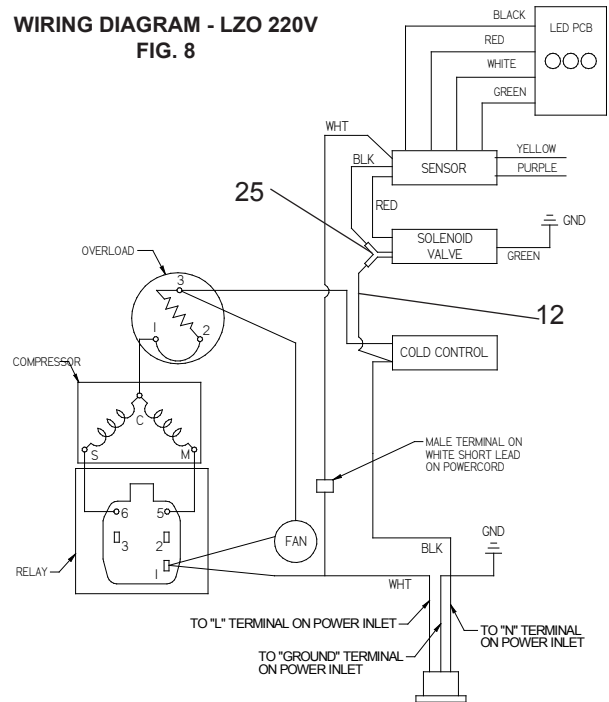
WATERSENTRY® FILTER PARTS LIST

| ITEM NO. | PART NO.   | DESCRIPTION  |
|----------|------------|--|
| 1        | 51299C     | Filter Assy-1500 Gal.  |
| 2        | 98926C     | Kit-Filter Head Fitting Includes John Guest Fittings                     |
| 3        | 0000000746 | Assy-Filter & Bracket includes Fltr Head/Mtg Bkt/ John Guest Ftgs/Screws |

WIRING DIAGRAM - LZO 115V  
FIG. 7



WIRING DIAGRAM - LZO 220V  
FIG. 8



FOR PARTS, CONTACT YOUR LOCAL DISTRIBUTOR OR CALL 1.800.834.4816

REPAIR SERVICE INFORMATION TOLL FREE NUMBER 1.800.260.6640

ELKAY MANUFACTURING COMPANY • 2222 CAMDEN COURT • OAK BROOK, IL 60523 • 630.574.8484 • www.elkay.com