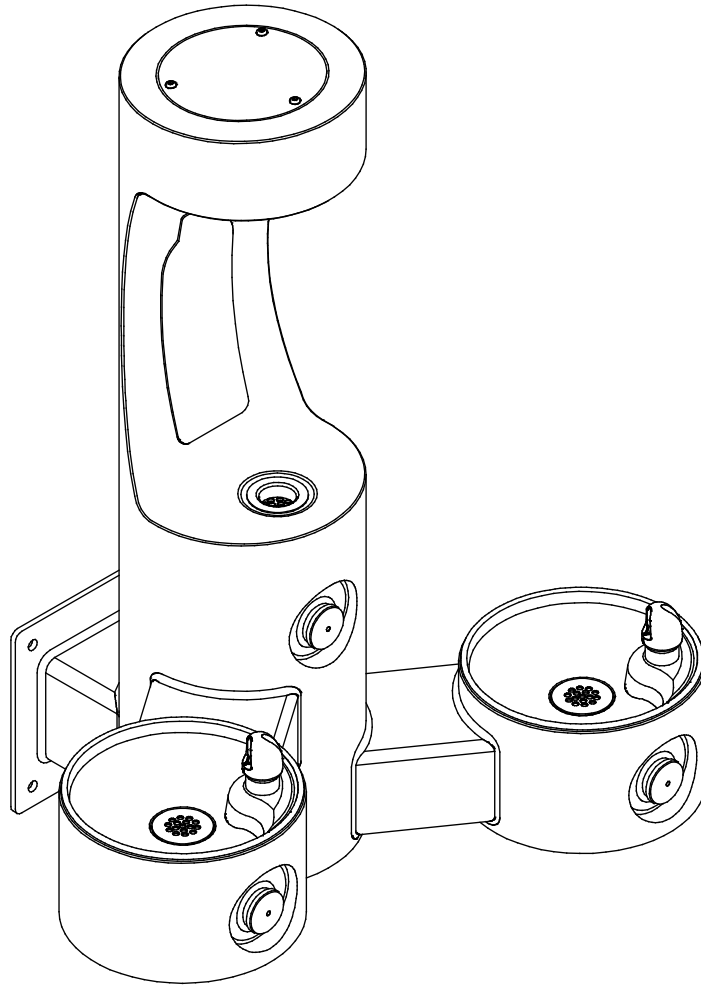


Owners Manual

Model 4409BF

Wall Mounted Tubular Bottle Filling Fountain



INSTALLER

4409BF Fountains are among the easiest to install Fountains on the market today. To assure you install these models easily and correctly, PLEASE READ THESE SIMPLE INSTRUCTIONS BEFORE STARTING THE INSTALLATION. CHECK YOUR INSTALLATION FOR COMPLIANCE WITH PLUMBING, ELECTRICAL, AND OTHER APPLICABLE CODES. After installation, leave these instructions with the Fountain for future reference.

INSTALLATION INSTRUCTIONS

IMPORTANT

ALL SERVICE TO BE PERFORMED BY AN AUTHORIZED SERVICE PERSON

IMPORTANT! INSTALLER PLEASE NOTE.

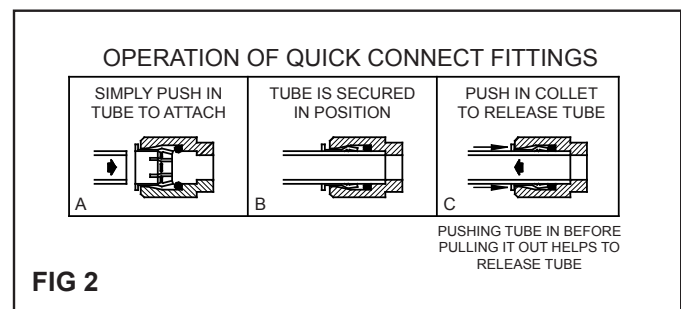
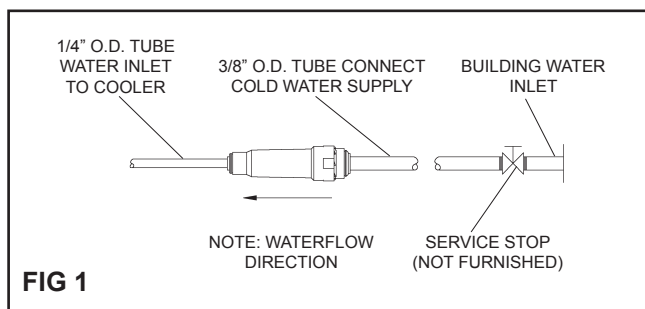
THE GROUNDING OF ELECTRICAL EQUIPMENT SUCH AS TELEPHONE, COMPUTERS, ETC. TO WATER LINES IS A COMMON PROCEDURE. THIS GROUNDING MAY BE IN THE BUILDING OR MAY OCCUR AWAY FROM THE BUILDING. THIS GROUNDING CAN CAUSE ELECTRICAL FEEDBACK INTO A FOUNTAIN, CREATING AN ELECTROLYSIS WHICH CAUSES A METALLIC TASTE OR AN INCREASE IN THE METAL CONTENT OF THE WATER. THIS CONDITION IS AVOIDABLE BY USING THE PROPER MATERIALS AS INDICATED. ANY DRAIN FITTINGS PROVIDED BY THE INSTALLER SHOULD BE MADE OF PLASTIC TO ELECTRICALLY ISOLATE THE FOUNTAIN FROM THE BUILDING PLUMBING SYSTEM.

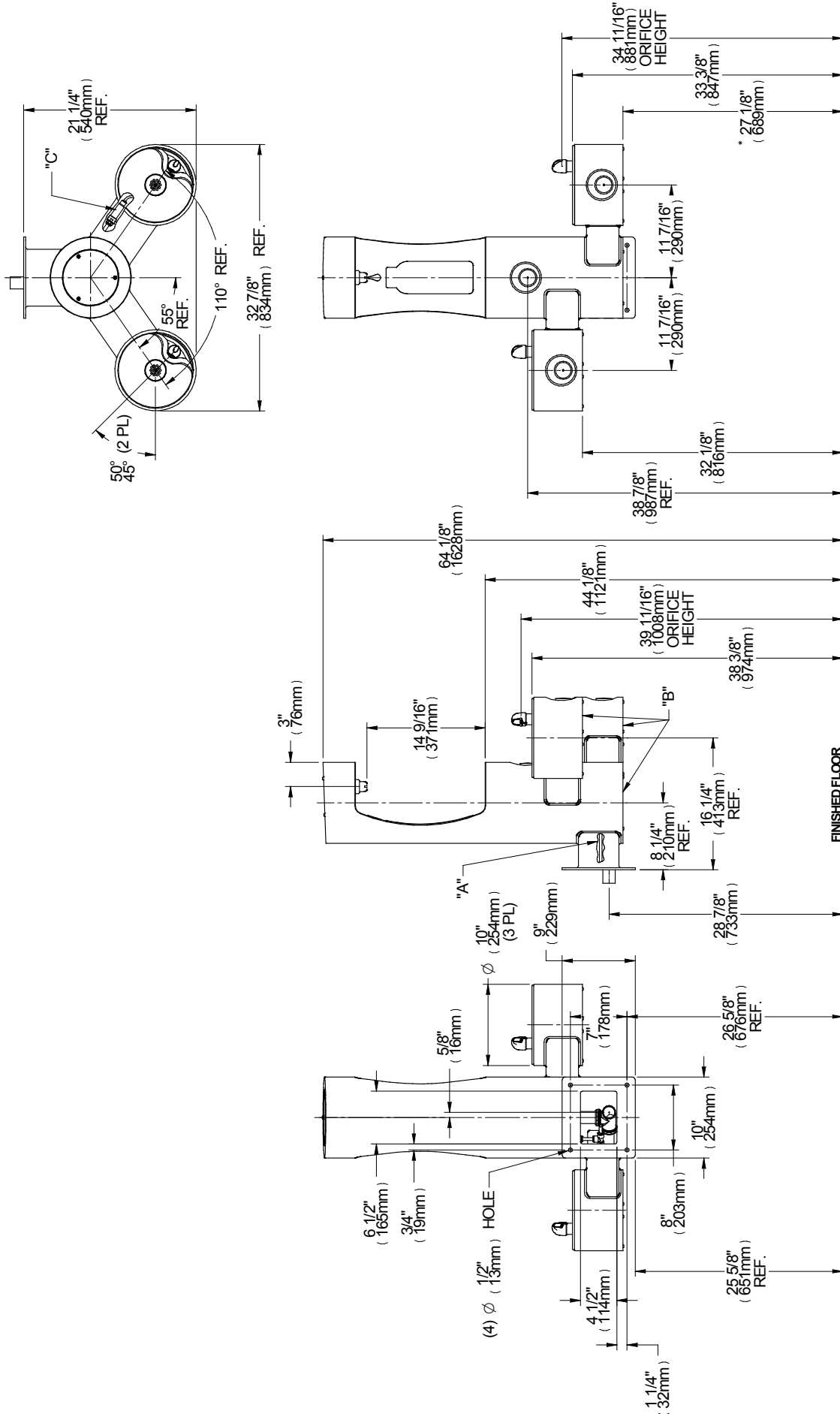
1. The fully assembled 4409BF fountain weighs 93 lbs. Please be considerate of weight when performing installation.
2. This fountain is to be mounted on a smooth, flat, finished surface with adequate support structure. NOTE: Mounting structure must be capable of supporting 300lb load on the fountain, in addition to the weight of the fountain itself.
3. Install shut-off valve on water supply. (Valve not furnished)
4. Locate and install fountain using 3/8" minimum fasteners. (Fasteners not furnished).
5. Connect water supply and fountain drain. Water connection and drain must comply with local codes.
6. Turn on water supply and check all connections for leaks.
CAUTION: This fountain is rated for inlet water pressure of 20-105 PSI. A pressure reducing regulator should be used if the inlet water supply exceeds 105 PSI. Any damage caused by reason of connecting this product to supply line pressures lower than 20 PSI or higher than 105 PSI is not covered by warranty.
7. Water supply 3/8" O.D. unplated copper tube. Waste 1-1/2" IPS. Contractor to supply waste trap and service stop valve in accordance with local code.
8. Connecting lines to be made of unplated copper and should be thoroughly flushed to remove all foreign matter before being connected to fountain. This fountain is manufactured in such a manner that it does not in any way cause taste, odor, color, or sediment problems.
9. Connect fountain to supply line with a shut-off valve and install a 3/8" unplated copper water line between the valve and the fountain. Remove any burrs from outside of water line. Push the tubes straight into the fittings until they reach a positive stop, approximately 3/4" (See Fig. 2). DO NOT SOLDER TUBES INSERTED INTO THE STRAINER AS DAMAGE TO THE O-RINGS MAY RESULT.

TROUBLE SHOOTING AND MAINTENANCE

ACTUATION OF QUICK CONNECT WATER FITTINGS:

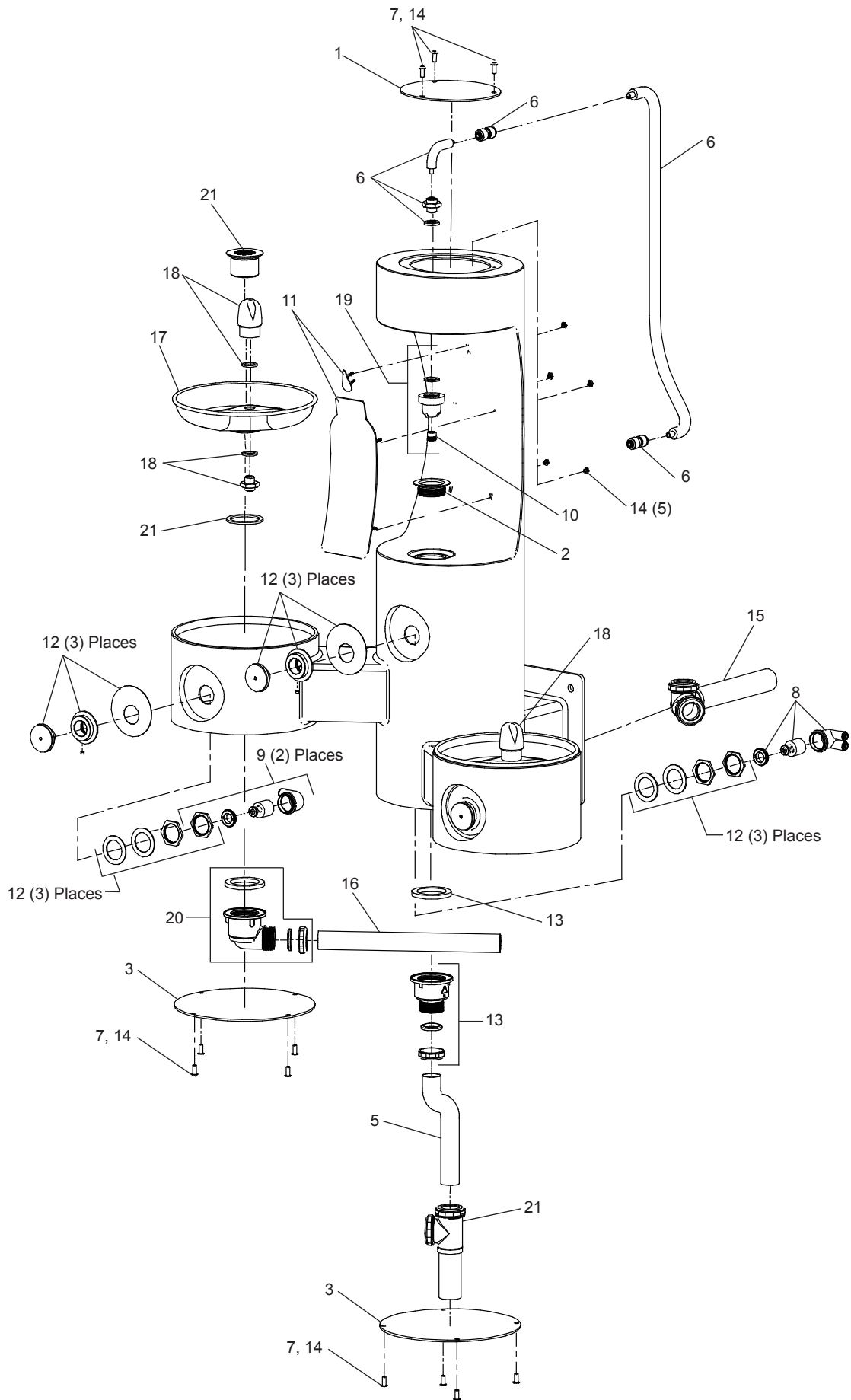
Fountain is provided with lead-free connectors which utilize an o-ring water seal. To remove tubing from the fitting, relieve water pressure, push in on the gray collar while pulling on the tubing. (see Fig.2) To insert tubing, push tube straight into fitting until it reaches a positive stop, approximately 3/4".





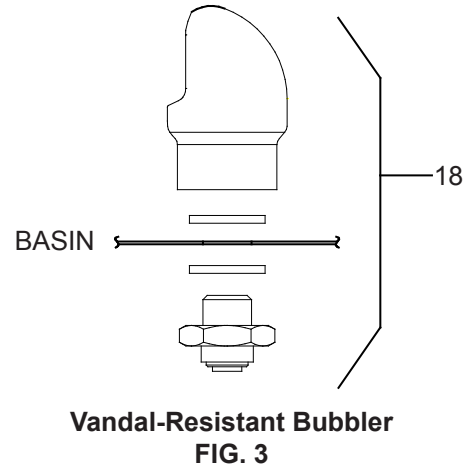
LEGEND
 A = 3/8" O.D. UNPLATED COPPER TUBE CONNECT - SHUT OFF VALVE BY OTHERS
 B = REMOVABLE BOTTOM COVER
 C = IN-LINE STRAINER

*ADA REQUIREMENT



ITEMIZED PARTS LIST

ITEM NO.	PART NO.	DESCRIPTION
1	1000003814*	Cover - Round Plate
2	45931C	Outdoor Bottle Filler Drain Plug
3	1000003813*	Bottom Cover
4	55996C	In - Line Strainer (See rough-in location on page 3)
5	1000004372	Tube - Drain (Formed)
6	98686C	Kit - Bottle Filler Waterway/Gasket/Nipple/Tubes/Ftngs
7	97247C	Kit - VR Torx Screws/Bit
8	98678C	Kit - 1.0 GPM Regulator/Holder/Nut (BF Only)
9	98733C	Kit - Regulator/Holder/Nuts
10	98680C	Kit - Aerator/Key
11	98681C	Kit - Blank Bottle Filler Trim
	1000003692	Kit - LK4409 Bottle Filler Trim
	1000003693	Kit - 4409 Bottle Filler Trim
12	98682C	Kit - Push Button w/Blank Nameplate
	1000003694	Kit - Push Button w/LK4409 Nameplate
	1000003695	Kit - Push Button w/4409 Nameplate
13	98683C	Kit - Drain Adapter/Gasket/Nut/Washer
14	98685C	Kit - Hardware/Bolts/Nuts/Washers/Torx Screws
15	1000004374	Tube - Drain
16	40251C	Drain Tail Pipe (Straight)
17	28467C	Basin
18	97446C	Kit - Bubbler (VR)
19	98679C	Kit - Nozzle/Aerator/Gasket/Pin
20	98684C	Kit - Drain Elbow/Gasket/Nut/Washer
21	1000004373	Tube - Drain



*select color option to complete part number

***FINISH COLOR OPTIONS – Choose color option to complete your model number, add as suffix example: 4409BFEVG**

Matte finish: Evergreen = **EVG**

Gloss finish:

- | | | |
|---|--|--|
| <input type="checkbox"/> Beige = BGE | <input type="checkbox"/> Gray = GRY | <input type="checkbox"/> Terracotta = TER |
| <input type="checkbox"/> Black = BLK | <input type="checkbox"/> Orange = ORN | <input type="checkbox"/> White = WHT |
| <input type="checkbox"/> Blue = BLU | <input type="checkbox"/> Purple = PUR | <input type="checkbox"/> Yellow = YLW |
| <input type="checkbox"/> Brown = BRN | <input type="checkbox"/> Red = RED | |

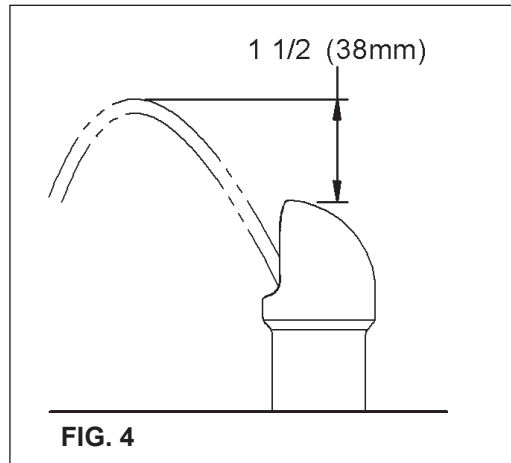


FIG. 4

STREAM HEIGHT ADJUSTMENT:

Stream height is factory set at 35 psi. If supply pressure varies greatly from this, insert a small straight bladed screwdriver through the access hole in the center of the push button and turn the adjustment screw. Clockwise adjustment will raise the stream and counterclockwise adjustment will lower the stream. For best adjustment, the stream should be approximately 1 1/2" above the top of the bubbler.