

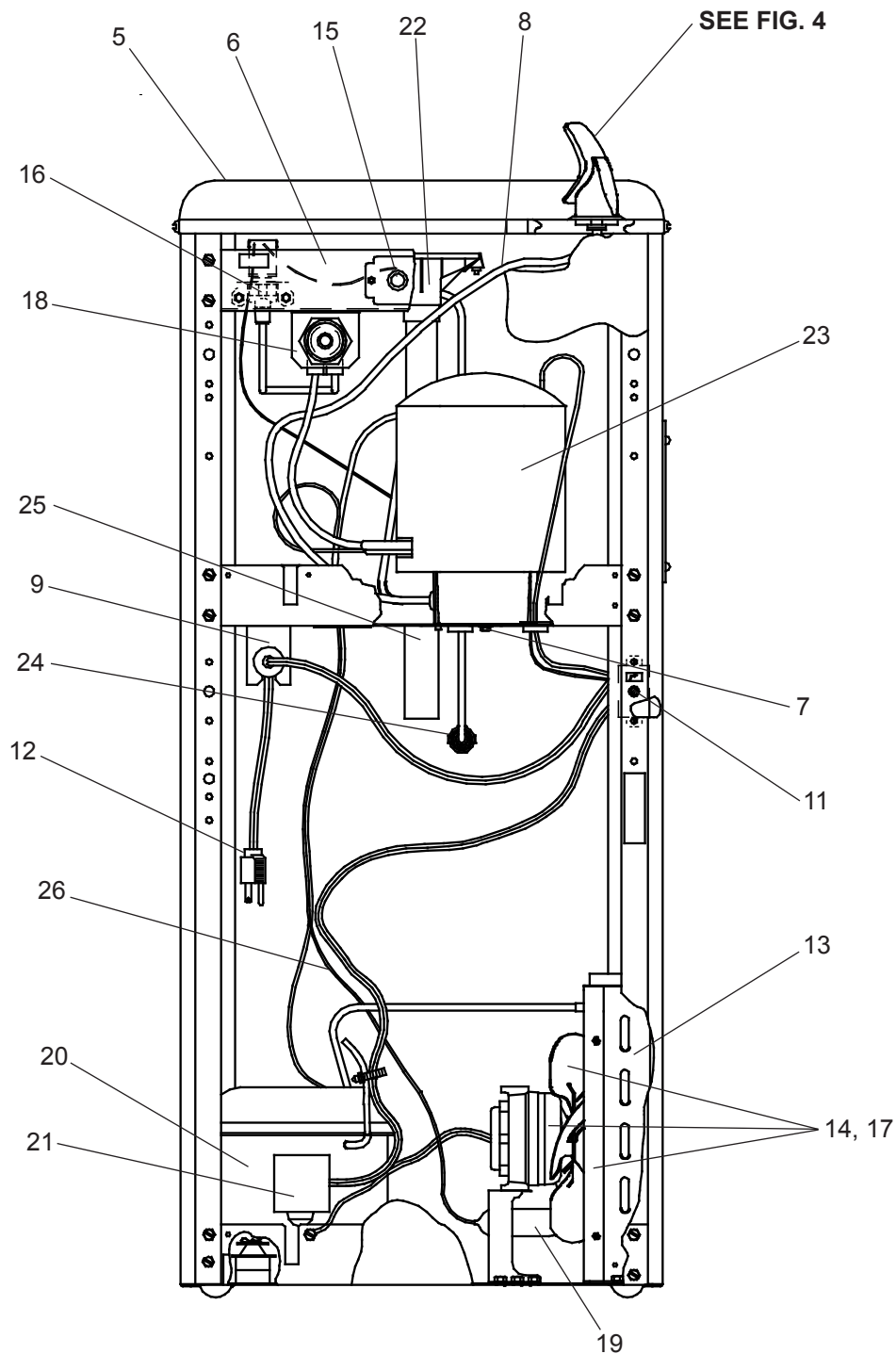
**ELKAY**® With FLEXI-GUARD®  
**INSTALLATION, CARE & USE MANUAL**

*EFOA Pressure Cooler*  
*USES HFC-134A REFRIGERANT*



**Note: Danger! Electric shock hazard. Disconnect power before servicing unit.**

Uses HFC-134A refrigerant



**FIG. 1**

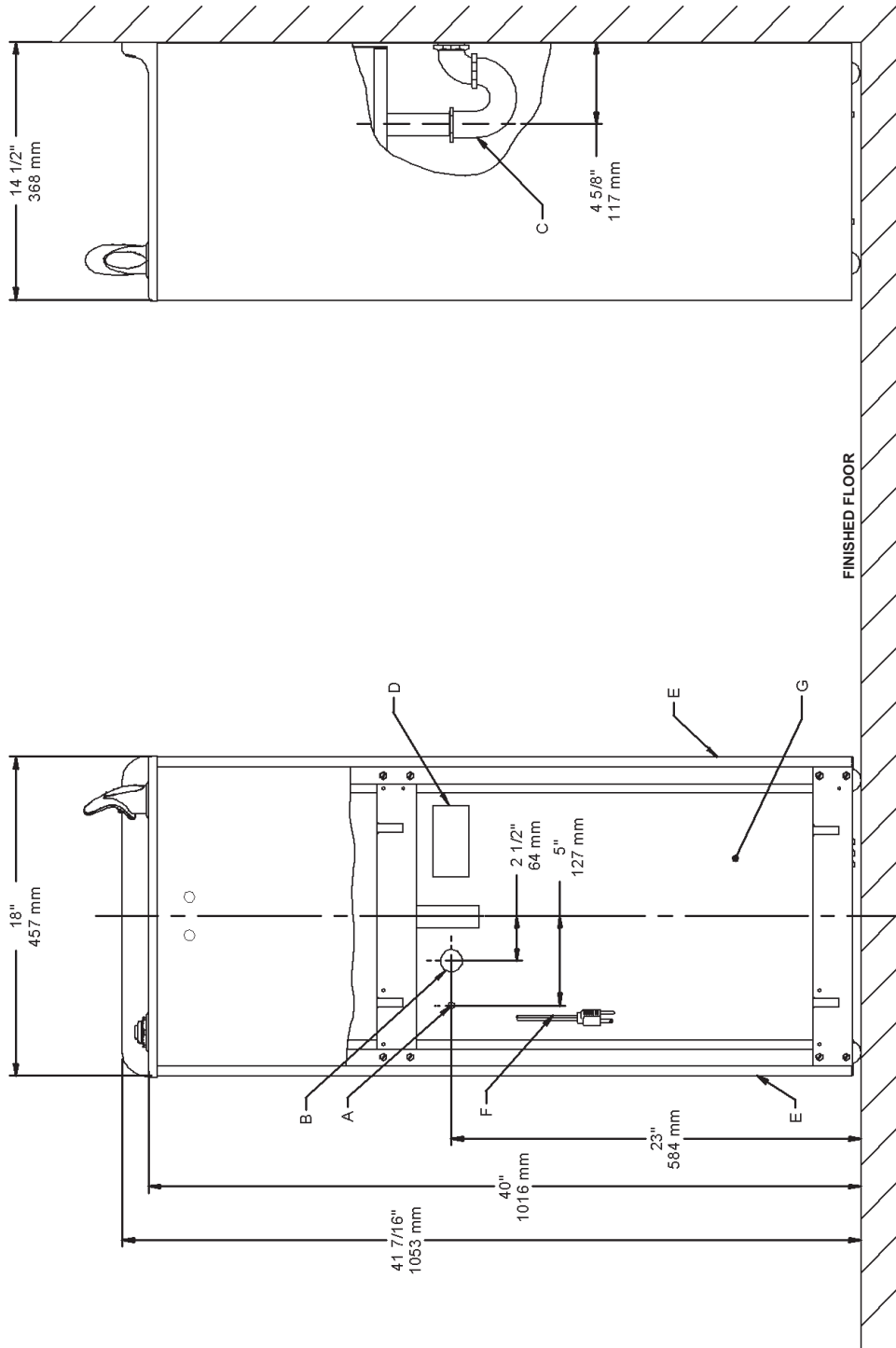


FIG. 2

- LEGEND
- A = RECOMMENDED WATER SUPPLY LOCATION 3/8 O.D. UNPLATED COPPER TUBE CONNECT STUB 1-1/2 IN. (38mm) OUT FROM WALL SHUT OFF BY OTHERS
  - B = RECOMMENDED LOCATION FOR WASTE OUTLET 1-1/4" O.D. DRAIN
  - C = 1-1/4 TRAP NOT FURNISHED\*\*
  - D = ELECTRICAL OUTLET LOCATION
  - E = INSURE PROPER VENTILATION BY MAINTAINING 4" (102mm) (MIN.) CLEARANCE FROM CABINET LOUVERS TO WALL
  - F = POWER CORD 4 FEET (1219mm) LONG
  - G = ALT. ELECTRICAL OUTLET LOCATION

**SENSOR RANGE ADJUSTMENT:** The electronic sensor used in this cooler is factory pre-set for a "visual" range of 36 inches (914 mm). If actual range varies greatly from this or a different setting is desired, follow the range adjustment procedure below:

- A. Remove front panel of cooler.
- B. Using a small tip screwdriver, rotate range adjustment screw clockwise to increase range and counterclockwise to decrease range (See Fig. 3).

**CAUTION:** Complete range of sensor (24-46 inches( 610-1168mm) is only one turn of the adjusting screw.

- C. Replace front panel.

**SENSOR CONTROL:** If sensor fails to operate valve mechanism or operates erratically, check the following.

- A. Ensure there are no obstructions within a 40 inch (1016mm) radius in front of cooler.
- B. Check wire connections at the solenoid valve and sensor. **CAUTION:** Make sure unit is unplugged before checking any wiring.
- C. Ensure proper operation of solenoid valve. If there is an audible clicking sound yet no water flows, look for an obstruction in the valve itself or elsewhere in the water supply line.

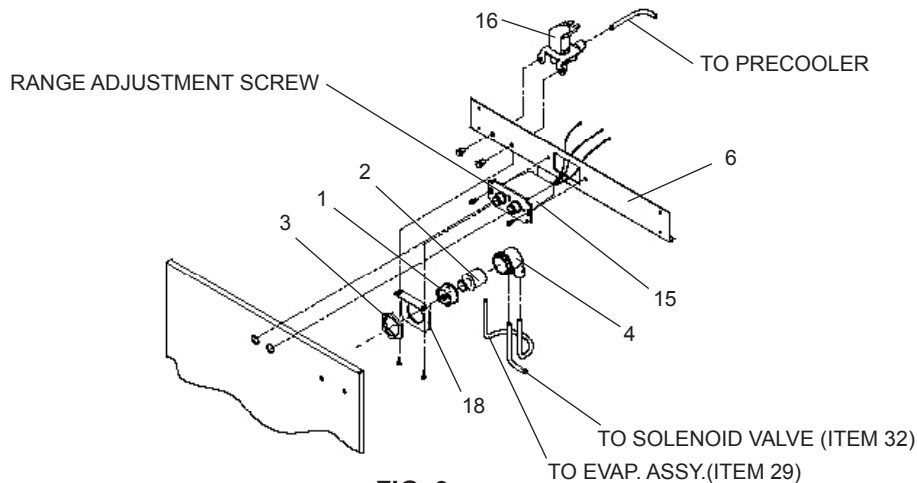
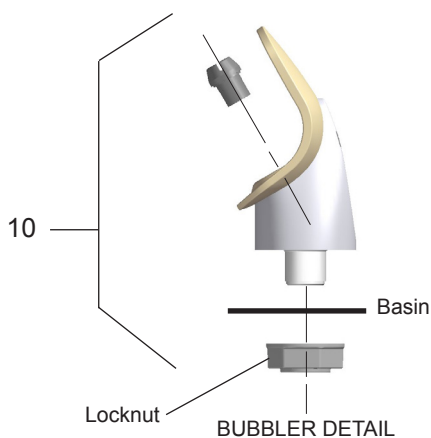


FIG. 3

**NOTE:**

When installing replacement bubbler and pedestal, tighten locknut only to hold parts snug in position. Do Not Overtighten.

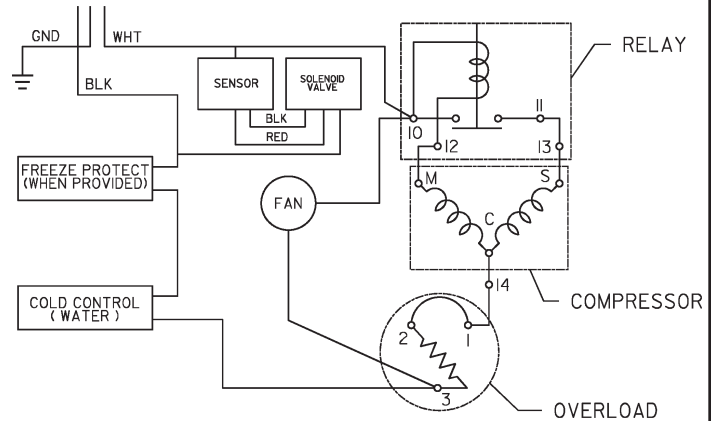
FIG. 4

PARTS LIST 115V

ITEM NO.	PART NO.	DESCRIPTION
1	56082C	Regulator Retaining Nut
2	61313C	Regulator
3	40045C	Hex Nut
4	50986C	Regulator Holder
5	27316C	Basin
6	27279C	Cross Brace
7	75568C	Screw-Evaporator Mtg
8	56092C	Poly Tubing (Cut To Length)
9	27961C	Brkt-Strain Relief
10	56073C	Kit - Bubbler Assembly
11	98773C	Kit - Cold Control/Screws
12	35890C	Power Cord
13	98776C	Kit - Condenser/Drier
14	98775C	Kit - Fan Motor/Blade/Nut
15	36028C	Sensor (clear)
16	35891C	Solenoid Valve Assembly
17	20282C	Fan Bracket
18	27278C	Regulator Bracket
19	66703C	Drier
*20	36322C	Compressor Serv. Pak
21	0000000238	Kit - Relay/OverLoad/Shroud/Cover
22	50368C	Receptor-Drain
23	98724C	Kit Evaporator Replacement
24	55996C	Strainer
25	45702C	Tailpipe Assy
26	98778C	Kit - Heat Exchanger/Drier

**WIRING DIAGRAM**

This Drawing is merely for illustrating the components of the electrical sytem.



\*INCLUDES RELAY & OVERLOAD. IF UNDER WARRANTY, REPLACE WITH SAME COMPRESSOR USED IN ORIGINAL ASSEMBLY.  
 NOTE: All correspondence pertaining to any of the above water coolers or orders for repair parts MUST include Model No. and Serial No. of cooler, name and part number of replacement part.

COLOR TABLE	LEFT PANEL	RIGHT PANEL	FRONT PANEL
Stainless Steel	20624C	20625C	27270C
Sandalwood	21458C	21459C	27274C
Light Gray	27166C	27169C	27275C

PRINTED IN U.S.A.

REPAIR SERVICE INFORMATION TOLL FREE NUMBER 1.800.260.6640  
 FOR PARTS, CONTACT YOUR LOCAL DISTRIBUTOR OR CALL 1.800.834.4816

ELKAY MANUFACTURING COMPANY • 2222 CAMDEN COURT • OAK BROOK, IL 60523 • 630.574.8484