

# LN & LE Hand Dryers



by World Dryer Corporation

## Economical Hand Dryer

Electric-Aire LN and LE are affordable and good performance hand dryers. LN is a universal voltage unit that fits most electric supplies. LE is a quiet dryer option. LE and LN both are economical washroom solution for low to medium traffic facilities.

### Product Benefits

- Automatic operation
- Surface mounted
- **LN** - Universal-voltage (110-240 VAC);
- Low sound level
- Durable and vandal resistant
- Modern stylish design

### Design Features

#### Dryer

- Activated by infrared sensor, automatic drying cycle.
- Incorporates a Nichrome wire heating element Protected by a bi-metal thermostat and one shot thermal cutoff
- Provides a 70°F temperature rise
- IPX1 ingress protection

#### LN Motor

- Thermally-protected, universal brush-type motor operating at 7,500 RPM
- Delivering 88 CFM air flow at a velocity of 6,780 LFM (77 MPH)

#### LE Motor

- Thermally-protected, shaded pole brushless motor operating at 3,360 RPM
- Delivering 90 CFM air flow at a velocity of 3,900 LFM (44 MPH)

#### Materials

- Cover material: Cast Aluminum with epoxy enamel finish
- Wall-mounted base: Pre-plated cold rolled 14 GA steel base
- Internal components: Corrosion resistant materials



### Architecture & Engineering Specifications

Electric-Aire LN & LE hand dryers shall be manufactured by or for World Dryer to include cover of die cast Aluminum with white epoxy enamel. Model LN's motor shall be thermally protected brush type with minimum 7,500 RPM with a single shaft; and shall deliver 88 cubic feet per minute of air volume (6,780 LFM), and allows multi-voltage application (100 VAC to 240 VAC - 50 or 60 Hz). Model LE's Motor shall be induction type operating at 3,360 RPM at rated load, and shall deliver 90 cubic feet per minute of air volume (3,900 LFM). Both dryers shall be surface mounted and shall be activated by means of an infrared emitting/receiving electronic control device, automatically detecting hands when present. Hand dryers shall be listed under reexamination service of Underwriters Laboratories, Inc.

### Product Specifications

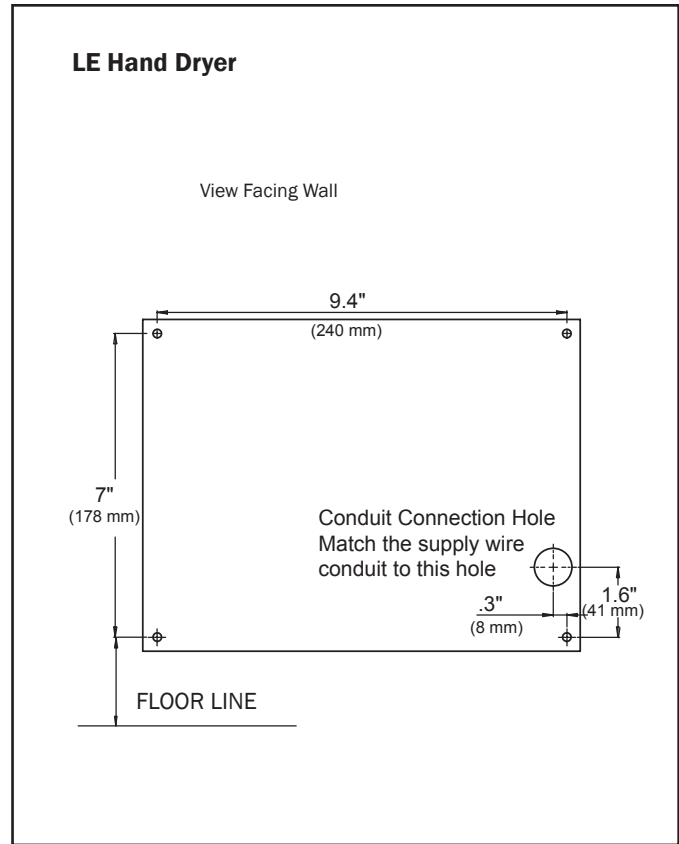
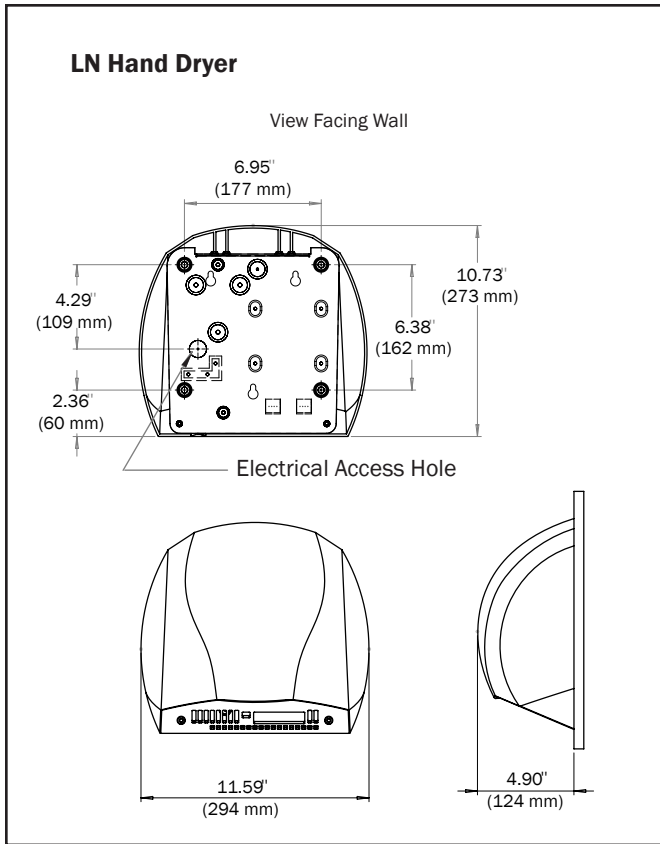
#### LN

	120 V	208 V	240 V
Amps	8	6	7
Watts	1000	1700	1700
Hz	50/60	50/60	50/60

#### LE

	120 V	208 V	240 V
Amps	13	6.5	6.5
Watts	1500	1500	1500
Hz	60	60	50

110-120 V	208-240 V	220-240 V (50 Hz)	Cover Material, color	Mounting Options	Unit Weight	Shipping Weight	Unit size HxWxD	Shipping size HxWxD
LN-974	LN-974	LN-974	Aluminum, White	Surface	7.8 lbs / 3.5 kgs	10 lbs / 4.5 kgs	10.7" x 11.6" x 4.9" <small>273 x 294 x 124</small>	14.5" x 13.8" x 8" <small>370 x 350 x 205</small>
LE-974	LE4-974	LE48-974	Aluminum, White	Surface	10 lbs / 4.5 kgs	11 lbs / 4.9 kgs	8.8" x 11.25" x 5.9" <small>224 x 286 x 150</small>	13" x 12" x 9" <small>330 x 305 x 150</small>



**Placement Instruction**

- Hand dryers should be spaced at least 2' apart, near but not over the wash basin
- Automatic dryers should be located more than 18" above or away from any reflective surface that may interfere with the sensor operation.
- In congested areas, dryers should be located to create a flow from wash basin to dryer to exit
- Dryer Quantity Recommendation:  
Average Traffic: 1 dryer per 2 wash basins  
Heavy Traffic: 1 dryer per wash basin  
Industrial 54" Circular wash fountains: 4 dryers per sink
- Recommended mounting heights from floor to dryer bottom edge

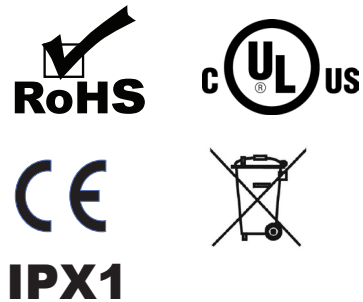
Washrooms	Surface Mounted
Men's washrooms	46" (117 cm)
Women's washrooms	44" (112 cm)
Children's washrooms, ages 4-7	32" (81 cm)
Children's washrooms, ages 7-10	36" (91 cm)
Children's washrooms, ages 10-13	40" (102 cm)
Children's washrooms, ages 13-17	44" (112 cm)
Handicap Mounting Height	37" (94 cm)

Measured from floor to the bottom of the unit.

**Installation Guide**

- LN & LE hand dryers require a dedicated 15 AMP circuit and must be properly grounded
- GFI circuit protection is recommended.
- One side of dryer should be mounted to a stud

**Certification Approved**



**Warranty**



LN - 2 year limited warranty



LE - 1 year limited warranty



5700 McDermott Drive  
Berkeley, IL 60163 U.S.A.  
800-323-0701  
www.worlddryer.com

