

# Model LN

## New Economical and Stylish Hand Dryer

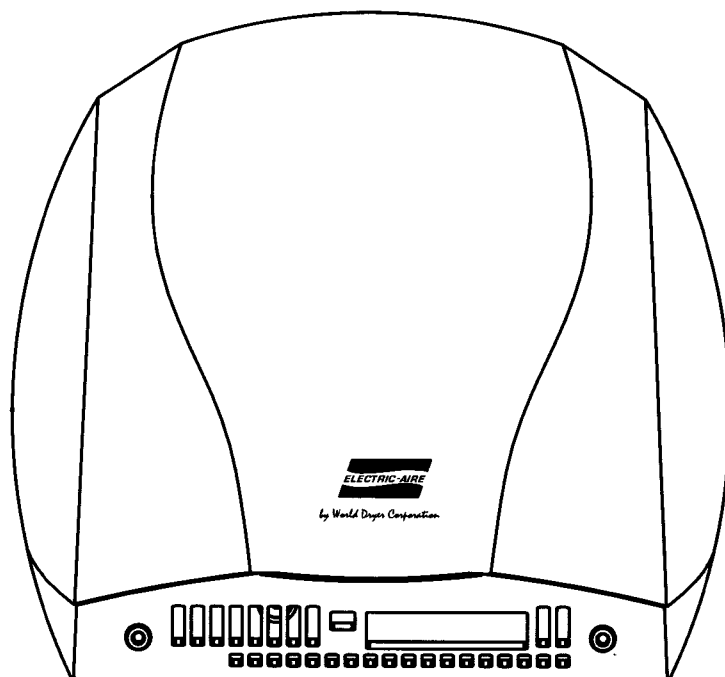
Nuevo secamanos moderno, elegante y económico  
Nouveau sèche-mains élégant, économique et moderne



### All LN Series

Todos los de la Serie LN

Toutes les séries LN



**Please read and save these instructions. Read carefully before attempting to assemble, install, operate or service the product described. Protect yourself and others by observing all safety information. Failure to comply with instructions could result in personal injury and/or property damage. Retain instructions for future reference.**

Por favor lea y guarde estas instrucciones. Léalas cuidadosamente antes de tratar de montar, instalar, operar o dar mantenimiento al producto aquí descrito. Protéjase usted mismo y a los demás observando toda la información de seguridad. No seguir las instrucciones puede ocasionar daños, tanto personales como materiales. Guarde estas instrucciones para referencia en el futuro.

Lire et conserver ces instructions. Les lire attentivement avant de commencer à assembler, installer, faire fonctionner, réparer ou entretenir l'appareil décrit. Pour se protéger et protéger autrui, observer toutes les consignes de sécurité. Le fait de négliger d'appliquer ces instructions peut entraîner des blessures et/ou des dommages matériels. Conserver ces instructions pour consultation ultérieure.



**WORLD DRYER**

**World Dryer Corporation**

5700 McDermott Drive  
Berkeley, IL 60163 U.S.A.  
800-323-0701  
[www.worlddryer.com](http://www.worlddryer.com)

## Description

Electric-Aire hand dryer, powered by a universal brush motor, delivering 1150 Watts of drying power. This hand dryer is multi-voltage running on 115-208-230 Volt AC electrical supply. Operation is automatically controlled on/off, by an infrared sensor. This appliance is intended for use in hand drying, contributing to hygienic and cost effective hand sanitation in small business, office and light duty environments.

## General Specifications

Models	Nozzle	Drying Cycle	Dimensions (WxDxH)	Weight
LN	Integral	Automatic	11.59" x 10.75" x 4.90" 294 mm x 273 mm x 124 mm	8 lbs / 3.6 kg

## Electrical Specifications

Models	Type	Electrical Input*	Amperage	Watts
LN	Automatic	115 VAC, 50/ 60 Hz	10	1150
LN	Automatic	208 VAC, 50/ 60 Hz	6	1150
LN	Automatic	230 VAC, 50/ 60 Hz	5	1150

cULus Listed E19860

(\*) This hand dryer is a multi-voltage appliance that will self adjust to the available supply from 115 up to 230 VAC.

## General Safety Information



### DANGER

**Failure to disconnect the power source before installation or servicing can result in serious injury or death from electric shock.**

- Always disconnect the power source before servicing or installing the hand dryer.



### DANGER

**Failure to properly ground this unit could result in severe electrical shock and/or death.**

- This hand dryer must be properly grounded (Earthed) for safe operation. An identified ground connection point is supplied on the hand dryer's wall base.
- We recommend GFCI protection in wet or damp locations or as required by local code.



### WARNING

**Risk of fire, personal injury or property damage are possible if local codes, NEC codes or safety recommendations are not followed.**

- Use only the electrical power (voltage and frequency) specified for the model hand dryer being installed.
- Connect the hand dryer to the nearest suitable distribution panel.
- To limit a voltage drop, and insure efficient operation, use wire gauge as required by local or National Electrical Code.
- Do not connect to a branch circuit with CB or fuse protection over 15 Amps. This is in compliance with The National Electrical Code #210-20.
- All automatic model hand dryers must have a dedicated 15 Amp circuit as required by Underwriters Laboratories, Inc. (UL).
- Route all field wiring away from any moving parts within the hand dryer.



### CAUTION

**Improper mounting could result in personal injury or property damage.**

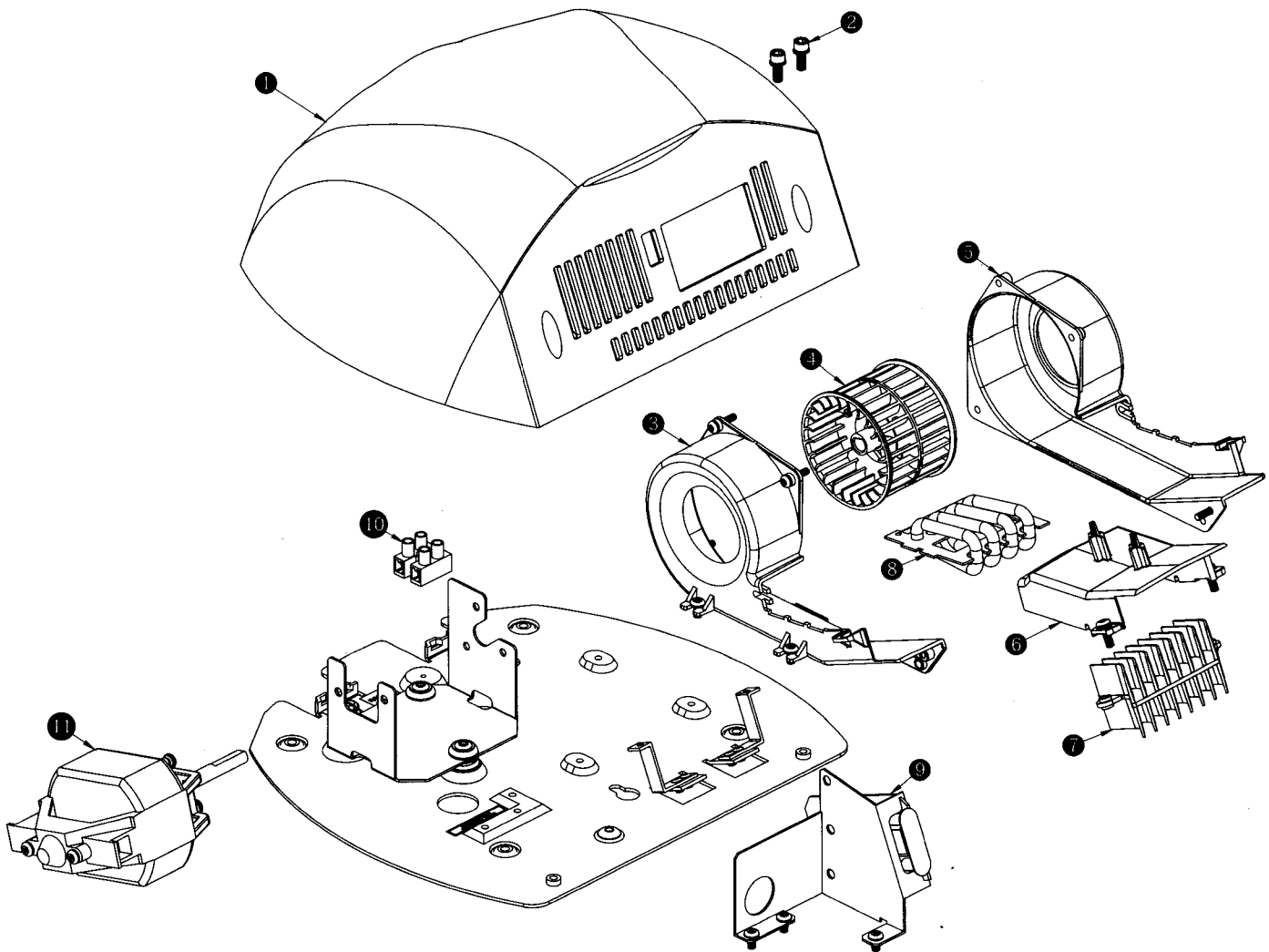
- Follow the mounting height recommendations in Table 1.

## Unpacking

1. Remove all packing material. Recycling is recommended.
2. Carefully remove the hand dryer from the shipping carton, using care not to drop the appliance.
3. Inspect carefully for any damage that may have occurred during transit. Check for any loose, missing or damaged parts. If the hand dryer is damaged, promptly inform the dealer where you purchased it.

# Parts List

**Figure 1 - Repair Parts List For Model LN Hand Dryer**



For Repair Parts, visit [www.WorldDryer.com](http://www.WorldDryer.com)  
 Please provide following information:  
 - Model number  
 - Serial number  
 - Part description and number shown in parts list

#	Description	Part Number	Qty.
1	Cover Kit	20-834K	1
2	Screw, Cover	46-006490	2
3	Blower Housing-Left	47-006372	1
4	Blow Wheel	22-006377	1
5	Blow Housing-Right	47-006371	1
6	Blower Housing Lid	47-006373	1

#	Description	Part Number	Qty.
7	Air Outlet Baffle	12-055881	1
8	Heating Element Assembly	21-055636K	1
9	Circuit Board Assembly	16-055560K	1
10	Terminal Block	15-006531	1
11	Motor Kit	32-056450K	1

# Installation

1. Disconnect the power source.
2. Remove the two cover-mounting screws. Remove the cover from the dryer.
3. Place the hand dryer base on the wall at desired location. Using Table 1 to determine the recommended mounting height. When two or more dryers are installed, they should be placed no closer than 24" (60 cm) from center to center. Mark the location of the four mounting bolt holes and the wire entry hole.
4. For recessed wiring, carry the supply wire to the dryer base plate knockout and attach with an acceptable cable clamp. The dryer requires two conductors for power plus a separate ground wire.
5. For surface wiring, remove the knockout located at the bottom left corner of the cover. Pass the supply wire according to local code, through the knockout and attach it securely to the bracket. The dryer requires two conductors for power plus a separate ground wire.
6. Attach the mechanism firmly to the wall. For wood walls or wood studs, use No. 16 screws of proper length to ensure 1" (25 mm) minimum stud penetration. For masonry walls use expansion bolts or anchors for 1/4" (6 mm) screws of proper length to ensure penetration 1/4" (6 mm) deeper than anchor. Shim if necessary to ensure that the base plate is level and flat against the wall.
7. Connect the supply wires to the terminal block where indicated. Connect the ground wire to the base plate with the ground screw.
8. Replace the cover. **Do not overtighten the screws.**

**INSTALLATION MUST BE PERFORMED BY QUALIFIED ELECTRICAL PERSONNEL.**

**Table 1**

Recommended Mounting Heights from Floor to Dryer Bottom Edge	in. (cm.)
Men's washrooms	49 (125)
Women's washrooms	47 (119)
Children's washrooms, ages 4-7	35 (89)
Children's washrooms, ages 7-10	39 (99)
Children's washrooms, ages 10-13	43 (109)
Children's washrooms, ages 13-17	47 (119)
Handicap Mounting Height	41 (104)

# Maintenance

Proper maintenance should be performed on the units at least every 6 months under normal use. More frequent cleaning is required in dirty environments or heavy traffic conditions.

# Cleaning

Cleaning and maintenance must be performed by qualified electrical personnel.

1. Disconnect the electrical supply
2. Use the security hex driver to remove the two cover-mounting screws
3. Remove the cover
4. Clean all dust and lint from the interior of the dryer using a soft brush and vacuum.
5. Replace the cover. Do not over tighten the screws
6. Wipe the cover with a damp cloth. Never use abrasives to clean the cover

## Troubleshooting Chart

Symptom	Possible Cause(s)	Corrective Action
Dryer will not run	Defective circuit board	<ol style="list-style-type: none"> <li>1. First ensure that the breaker supplying the dryer is operational</li> <li>2. If it is, disconnect the power and remove the dryer cover. Taking suitable precautions to avoid shock hazard, reconnect the power and check for voltage at the wire leads</li> <li>3. If there is power and the dryer will not run, replace the circuit board</li> </ol>
Dryer cycles by itself, runs all the time, or is not sensitive enough	Defective circuit board	<ol style="list-style-type: none"> <li>1. Ensure that there is no obstruction on or in front of the infra-red lens</li> <li>2. Disconnect the power. Remove the dryer cover and the screws holding the circuit board. Ensure that there are no obstructions between the infra-red "eyes" on the circuit board and the lens</li> <li>3. If the problem persists, replace the circuit board</li> </ol>
Elements get hot but the fan motor does not turn	Defective fan motor	<ol style="list-style-type: none"> <li>1. Disconnect the power. Remove the dryer cover and check for obstructions in the fan housings</li> <li>2. Damaged fans must be replaced</li> <li>3. If there are no obstructions, replace the motor</li> </ol>
Fan motor runs but the element does not get hot	Loose or damaged wires or defective element	<ol style="list-style-type: none"> <li>1. Disconnect the power and remove the dryer cover. Check for loose or damaged wires. Remove the access cover on the blower housing. Check the element for signs of burning or breakage. Damaged element must be replaced</li> <li>2. If the element does not appear damaged, disconnect it at the circuit board and check for continuity across the two element wires. An open circuit indicates damage to the integral temperature limit control. If this is the case, replace the element</li> </ol>

## Limited Warranty

**ELECTRIC-AIRE LIMITED TWO – YEAR WARRANTY.** World Warm Air Hair Dryer, Model covered in this manual, is warranted by World Dryer Corporation to the original user against defects in workmanship or materials under normal use for 2 years after date of purchase. Any part which is determined to be defective in material or workmanship and returned to an authorized service location, as World designates, shipping costs prepaid, will be, as the exclusive remedy, repaired or replaced at World's option. For limited warranty claim procedures, see PROMPT DISPOSITION below. This limited warranty gives purchasers specific rights from jurisdiction to jurisdiction.

**LIMITATION OF LIABILITY.** To the extent allowable under applicable law, World's liability for consequential and incidental damages is expressly disclaimed. World's liability in all events is limited to and shall not exceed the purchase price paid.

**WARRANTY DISCLAIMER.** World has made a diligent effort to provide product information and illustrate the products in this literature accurately; however, such information and illustrations are for the sole purpose of identification, and do not express or imply a warranty that the products are MERCHANTABLE, or FIT FOR A PARTICULAR PURPOSE, or that the products will necessarily conform to the illustrations or descriptions. Except as provided below, no warranty or affirmation on fact, expressed or implied, other than as stated in the "LIMITED WARRANTY" above is made or authorized by World.

**PRODUCT SUITABILITY.** Many jurisdictions have codes and regulations governing sales, construction, installation, and/or use of products for certain purposes, which may vary from those in neighboring areas. While World attempts to assure that the products comply with such codes, it cannot guarantee compliance, and cannot be responsible for how the product is installed or used. Before purchase and use of a product, review the product application, and all applicable national and local codes and regulations, and be sure that the product, installation, and use will comply with them.

Certain aspects of disclaimers are not applicable to consumer products; e.g., (a) some jurisdictions do not allow the exclusion or limitation of incidental or consequential damages, so the above limitation or exclusion may not apply to you; (b) also, some jurisdictions do not allow a limitation on how long an implied warranty lasts, consequentially the above limitation may not apply to you; and (c) by law, during the period of this Limited Warranty, and implied warranties of implied merchantability or fitness for particular purpose applicable to consumer products purchased by consumers, may not be excluded or otherwise disclaimed.

Manufactured by World Dryer Corporation, Berkeley, Illinois 60163 U.S.A.

**PROMPT DISPOSITION.** World will make a good faith effort for prompt correction or other adjustment with respect to any product which proves to be defective within limited warranty. For any product believed to be defective within limited warranty, first write or call dealer from whom the product was purchased. Dealer will give additional directions. If unable to resolve satisfactorily, write to World, giving dealer's name, address, date, and number of dealer's invoice, and describing the nature of defect. Title and risk of loss pass to buyer on delivery to common carrier. If product was damaged in transit to you, file claim with carrier.

