

Guide for Installing driplate beneath a Dyson Airblade Hand Dryer

driplate .com

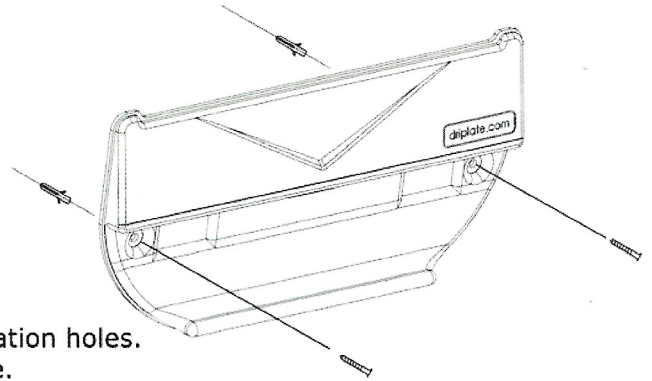
It is best advised that the driplate is installed onto a flat, plumb wall, free from steps, bumps or ridges. It is also advised that the wall is a solid wall. If installing to a stud wall then fixings should be fitted first to accommodate the screws.

Place the backplate tight up against the bottom of the Dyson Airblade and mark the position of the holes.

Drill the wall with the correct size of drill bit for the plugs and screws provided.

Fit the plugs, place the back plate in position and screw up the backplate.

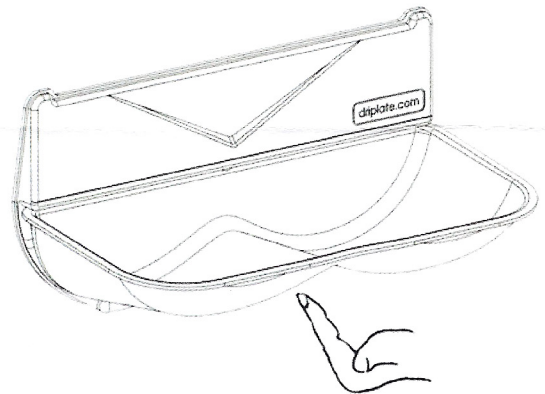
Place the tray onto the back plate aligning it with the installation holes. Push firmly towards the wall and the tray will click into place.



Remove the tray portion of the driplate by putting your fingers up behind the tray and pulling it firmly forward and upwards while supporting the tray with your other hand and the tray will click out.

Take care if there is water inside not to spill.

Under normal use it will be satisfactory to wipe out the tray with a cloth or sponge.



The tray will then catch any drips that fall from the bottom of the machine.

Although the driplate will perform exactly as it is intended, care should still be taken to ensure no water ends up on the floor from splashes and drips that fall outside of the range of the tray. If you find water is running down behind the driplate, which may rarely be the case for uneven or unplumb or tiled walls, it may be necessary to run a bead of silicone along the top edge of the backplate.

It is your responsibility to ensure that floors are kept dry to maintain the safety of the public washroom.

It is still recommended to empty and/or wipe out on a regular basis.

You should also maintain the hygiene of your dryer by wiping out the mouth of the machine regularly so water, dirt or dust doesn't build up.

The driplate is suitable for a range of hand dryers.

You should follow your hand dryer manufacturer's instructions on maintaining your machine as normal.

