



1½" O.D. heavy duty stainless steel grab bar with concealed mounting:

Product Materials

- FLANGES:** 3/8" dia. 13 gauge stainless steel.
- ESCUTCHEONS:** 22 gauge stainless steel. One-piece drawn construction with exposed surfaces in architectural satin finish. Snap over flanges to conceal mounting screws.
- TUBING:** 1½" O.D. 18 gauge stainless steel, seamless construction with exposed

Bradley_8120-059000_Spec_Sheet.pdf

welding to form an integral part of the grab bar. All exposed welds ground and polished to blend. Mandrel bending process maintains uniform bar diameter. Return provides 1½" standard safety clearance between wall and bar.

Strength

When properly mounted, all Bradley heavy duty grab bar systems meet or exceed the requirements of ANSI Standard A117.1, the ADA and ABA Accessibility Guidelines for Buildings and Facilities (ADAAG), and the Uniform Federal Accessibility Standard (UFAS). Select dimensions of configurations are 3rd party tested to support up to 1000 pounds. See configurations on the following page. All other 812 grab bars outside of these parameters are rated to support up to 250 pounds. Wall must be reinforced in the area of the grab bar in order to support the load it is intended to support.

Guide Specification

Grab bar shall be fabricated of stain finish stainless steel with concealed mounting flanges in sizes and configurations as indicated. Install with Bradley Mounting Kits as indicated.

Installation

For instructions on installation, warnings and maintenance, please visit www.bradleycorp.com.

ADA Compliant

- Consult local and national accessibility codes for proper installation guidelines.
- Conformity and compliance to local and national codes is the responsibility of the installer.

Optional Features

Features	Suffix
Safety-grip finish	-2
High-polish finish	-4
Safety grip with high-polished finish: 001-18, 001-24, 001-36, 001-36-10, 001-42, 001-42-10 only	-7
Antimicrobial finish: 1-1/2" - 001-18, 001-24, 001-36 & 001-42 only	-AM

(No. 4) Satin finish will not scratch hands or catch dirt

Standard finish

Safety-Grip finish

18 gauge stainless steel

Flange escutcheon

Escutcheon snaps over flange to conceal mounting screws

Flange of 13 gauge stainless steel

Mandrel bending process maintains uniform bar diameter

Bar welded to flange for maximum strength

Mounting holes

5/8" (16mm)

3/4" (83mm) concealed

* 1½" wall clearance required under most building design codes

Bradex® Models

Configuration Number	Shipping Data		Configuration Number	Shipping Data	
	Cu. Ft.	Wt. Lbs.		Cu. Ft.	Wt. Lbs.
001-18"	0.14	2	001-42"	0.15	4
001-24"	0.14	3	001-42"-10	3.14	37.67
001-30"	0.15	3	001-48"	0.25	4
001-36"	0.15	3	059**	2.85	7
001-36-10	2.40	30.46			

NOTE: These units must ship via common carrier.
 ** 059: 40" x 52" Standard Dimensions.

Orders composed of products indicated as **Bradex®** will be available to ship in three days after receipt of order at the factory. There is no pricing penalty for this service from Bradley.

Page 1 of 2
 1/19/2021
 This information is subject to change without notice.
 Bradley_GrabBar_812

[View Latest Version](#)

© 2021 Bradley
 P.O. Box 309, Menomonee Falls, WI 53052-0309
 800 BRADLEY (800 272 3539) +1 262 251 6000
bradleycorp.com

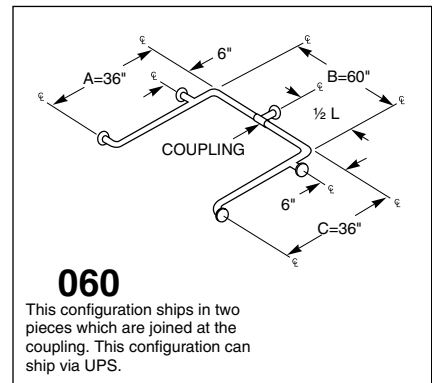
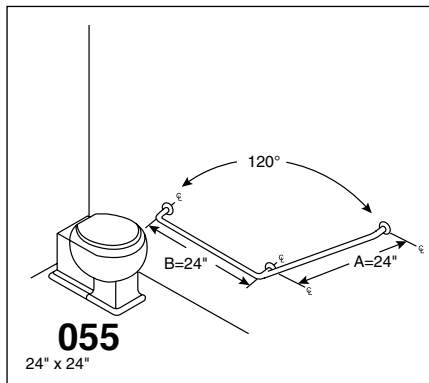
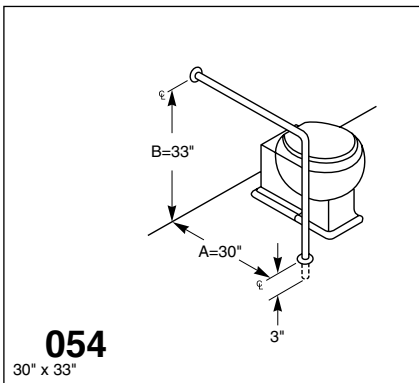
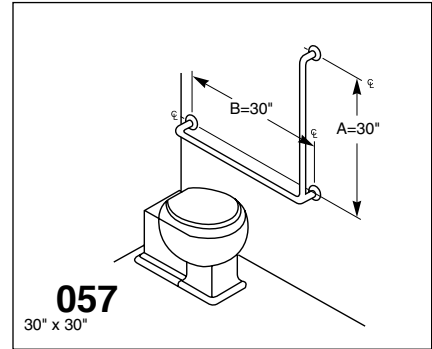
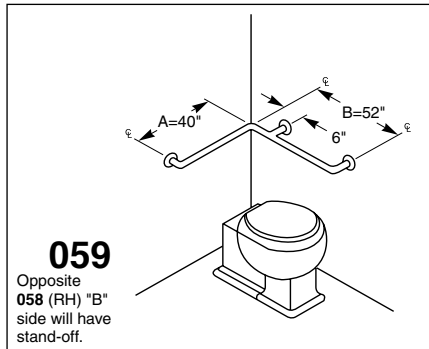
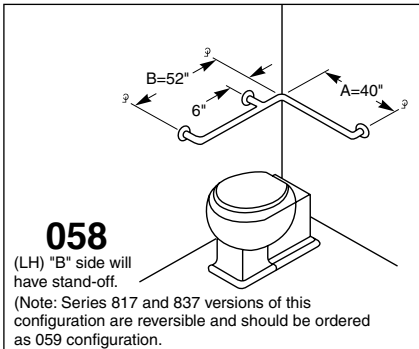
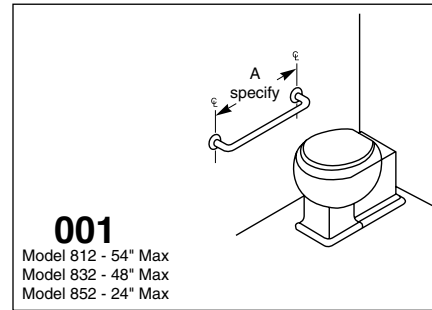


Configuration Information - Bariatric Models

OD		1-1/2"
Rating (LBS)		1000
Configuration Number	Grab Bar Length	812 Series
001-12	12"	X
001-18	18"	X
001-24	24"	X
001-36	36"	X
001-48	48"	X
001-54	54"	X
059/058	up to 42" x 54"	X
057	30" x 30"	X
054	33" x 30"	X
055	24" x 24"	X
060	36" x 60" x 36"	X

WARNING Only models/configurations listed on this page have been rated for use up to 1000 pounds. Please see Grab Bar Configurations on bradleycorp.com for all other available configurations.

Bradex® Item - Standard Finish
Bradex® Item - Standard Finish or Safety Grip Finish (-2)



Orders composed of products indicated as **Bradex®** will be available to ship in three days after receipt of order at the factory. There is no pricing penalty for this service from Bradley.

Page 2 of 2
 This information is subject to change without notice.
 Bradley_GrabBar_812

1/19/2021

[View Latest Version](#)

© 2021 Bradley
 P.O. Box 309, Menomonee Falls, WI 53052-0309
 800 BRADLEY (800 272 3539) +1 262 251 6000
bradleycorp.com