



Model 5A10-11—Surface-Mounted **Bradex**[®]

- Diplomat Series
- Dual Roll

Product Materials

CABINET: 0.030-inch/22ga.-(0.76 mm) stainless steel with exposed surfaces in architectural satin finish. Welded construction with seamless corners and burr-free edges.

SERVICE DOOR: 0.030-inch/22ga.-(0.76 mm) stainless steel with tumbler lock keyed like other Bradley units. Hinged at bottom.

SPINDLES: molded polyethylene.

Capacity

Single-roll dispenser with roll-in-reserve.

Operation

Cabinet holds two rolls up to 4-1/2"W x 5-1/4" diameter standard core toilet tissue, one above the other. When first roll is used-up, fresh roll automatically drops down for use. Unique retaining mechanism prevents use of spare roll until first roll is completely used. Spindles non-removable by user. Hinged door permits access to storage compartment for servicing of unit.

Installation

Surface mounted units must have holes drilled by installer. Secure unit to wall or partition with mounting screws (not included). Shim at screw points as required.

Guide Specification

Surface-mounted toilet tissue dispenser, with face formed with contemporary contours, radii, and finish matching related accessories in manufacturer's designer series. Single roll up to 5-1/4" diameter in standard roll dispenser with drop-down roll-in-reserve; rolls mounted on non-removable molded polyethylene spindles. Equipped with bottom-hinged service door with keyed tumbler lock. Universal keying. Formed from stainless steel sheet with satin finish on exposed surfaces, fully welded, with seamless corners and burr-free edges: cabinet and door 0.030-inch / 22-ga. thick.

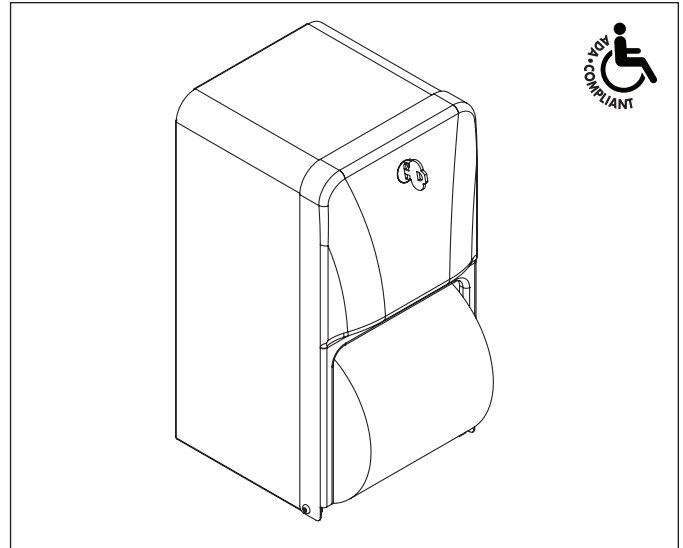
Overall dimensions: 5⁹/₁₆"W x 10⁷/₈"H x 6³/₁₆"D.

MasterFormat Title: Commercial Toilet Accessories

MasterFormat Number: 10 28 13.13

OmniClass Title: Toilet and Bath Specialties

OmniClass Code: 23.31.25.00



For information on Warranties, Maintenance and BAA/ARRA Compliance, visit our web site at: bradleycorp.com/products/accessories/.

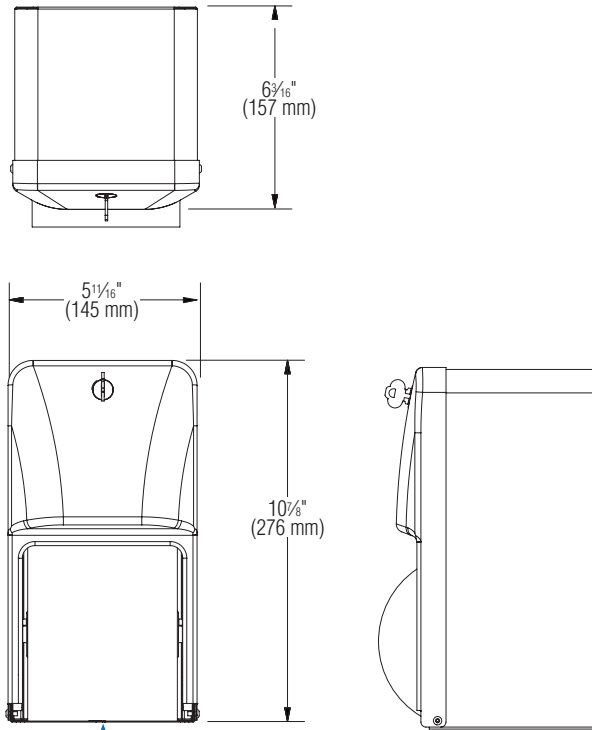
Orders composed of products indicated as **Bradex**[®] will be available to ship in three days after receipt of order at the factory. There is no pricing penalty for this service from Bradley.

Page 1 of 2 3/12/2015
This information is subject to change without notice.
Bradley_TPDispenser_5A10

© 2015 Bradley
P.O. Box 309, Menomonee Falls, WI 53052-0309
800 BRADLEY (800 272 3539) +1 262 251 6000
bradleycorp.com



Dimensions



Dim. "A" to finished floor

Dim. "A" Key Surface:	For Dim. "A"	Locate Top of Unit	Locate Bottom of Unit
Bottom of toilet paper opening to finished floor	20" (508mm)	30 3/4" (781mm)	19 7/8" (505mm)
	19" (483mm)	29 3/4" (756mm)	18 7/8" (479mm)
	18" (457mm)	28 3/4" (730mm)	17 7/8" (454mm)
	17" (432mm)	27 3/4" (705mm)	16 7/8" (429mm)
	16" (406mm)	26 3/4" (679mm)	15 7/8" (403mm)
	15" (381mm)	25 3/4" (654mm)	14 7/8" (378mm)

Orders composed of products indicated as **Bradex**® will be available to ship in three days after receipt of order at the factory. There is no pricing penalty for this service from Bradley.

Page 2 of 2
3/12/2015
This information is subject to change without notice.
Bradley_TPDispenser_5A10

© 2015 Bradley
P.O. Box 309, Menomonee Falls, WI 53052-0309
800 BRADLEY (800 272 3539) +1 262 251 6000
bradleycorp.com