



5124, 5125

Dual Roll Toilet Tissue Dispenser

- Model 5124 — Satin Stainless Steel **Bradex**[®]
- Model 5125 — Bright Polish

- Recessed
- Non-Controlled Delivery
- Stainless Steel Housing

Product Materials

HOUSING: stainless steel with exposed surfaces in satin finish (Model 5124) or bright polish finish (Model 5125).

PROJECTING PARTS: chrome-plated die cast zinc alloy.

SPINDLE: chrome-plated plastic.

Capacity

One standard core toilet tissue roll through 5" in diameter.

Operation

Concealed spring permits spindle to telescope for servicing. Spindle turns freely for non-controlled delivery.

Installation

Verify all rough-in dimensions prior to installation. Requires rough wall opening 11¾"W x 5¼"H x 2"D. Secure to framing with mounting screws (included) at holes provided.

Optional Features

Feature	Suffix
<input type="checkbox"/> Anti-theft spindle	-52
<input type="checkbox"/> Back clamp for gypsum wallboard mounting	-55

Guide Specification

Model 5124: Recessed dual roll toilet tissue dispenser shall be stainless steel with satin finish.

Model 5125: Recessed dual roll toilet tissue dispenser shall be stainless steel with bright polish finish.

Overall dimensions: 12½"W x 6¼"H x 3"D.

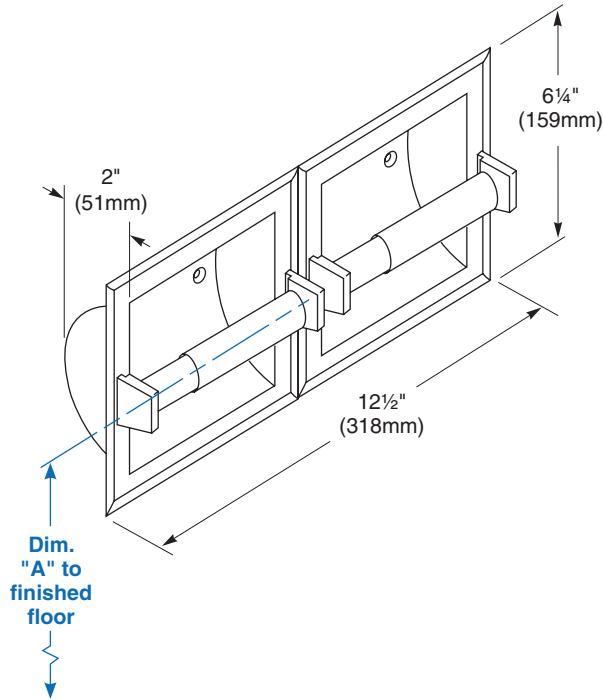
ADA Compliant

- Consult local and national accessibility codes for proper installation guidelines.
- Conformity and compliance to local and national codes is the responsibility of the installer.





Dimensions



Dim. "A" Key Surface:	For Dim. "A"	Top of Rough Wall Opening	Bottom of Rough Wall Opening
Centerline of spindle to finished floor (bottom edge of paper roll 3" below centerline of spindle)	23" (584mm)	25½" (648mm)	20¼" (514mm)
	22" (559mm)	24½" (622mm)	19¼" (489mm)
	21" (533mm)	23½" (597mm)	18¼" (464mm)
	20" (508mm)	22½" (572mm)	17¼" (438mm)
	19" (483mm)	21½" (546mm)	16¼" (413mm)
	18" (457mm)	20½" (521mm)	15¼" (387mm)
Rough wall opening:			
Recessed:	11¼" (299mm) Wide x 5¼" (134mm) High x 2" (51mm) Deep		