



# Model 4A10-11 — Surface-Mounted **Bradex**<sup>®</sup>

Diplomat Series

## Product Materials

**COVER:** 0.030-inch/22ga.-(0.76 mm) stainless steel with exposed surfaces in architectural satin finish. Heavy-duty stainless steel piano hinge.

**CONTAINER:** 0.030-inch/22ga.-(0.76 mm) stainless steel with exposed surfaces in architectural satin finish. All welded construction with front curvature matching other Bradley Diplomat washroom accessories.

## Operation

Lid opens for removal of waste. Box of 500 waxed paper liners are available by ordering part number P11-022.

## Installation

Surface mounted units must have holes drilled by installer. Secure unit to wall or partition with mounting screws (not included). Shim at screw points as required.

## Guide Specification

Surface-mounted napkin/tampon disposal unit, with face formed with contemporary contours, radii, and finish matching related accessories in manufacturer's designer series. Capacity 1.5 gal (0.2 cu. ft.). Equipped with hinged cover; accepts owner's disposable liners. Formed from stainless steel sheet with satin finish on exposed surfaces, fully welded, with seamless corners and burr-free edges: cabinet and waste container 0.030-inch / 22-ga. thick; door 0.036-inch / 20-ga. thick.

**Overall dimensions: 8"W x 10<sup>1</sup>/<sub>16</sub>"H x 3<sup>7</sup>/<sub>8</sub>"D.**

**MasterFormat Title:** Commercial Toilet Accessories

**MasterFormat Number:** 10 28 13.13

**OmniClass Title:** Toilet and Bath Specialties

**OmniClass Code:** 23.31.25.00



## ADA Compliant

- Consult local and national accessibility codes for proper installation guidelines.
- Conformity and compliance to local and national codes is the responsibility of the installer.

**For information on Warranties, Maintenance and BAA/ARRA Compliance, visit our web site at: [bradleycorp.com/products/accessories/](http://bradleycorp.com/products/accessories/).**

Orders composed of products indicated as **Bradex**<sup>®</sup> will be available to ship in three days after receipt of order at the factory. There is no pricing penalty for this service from Bradley.

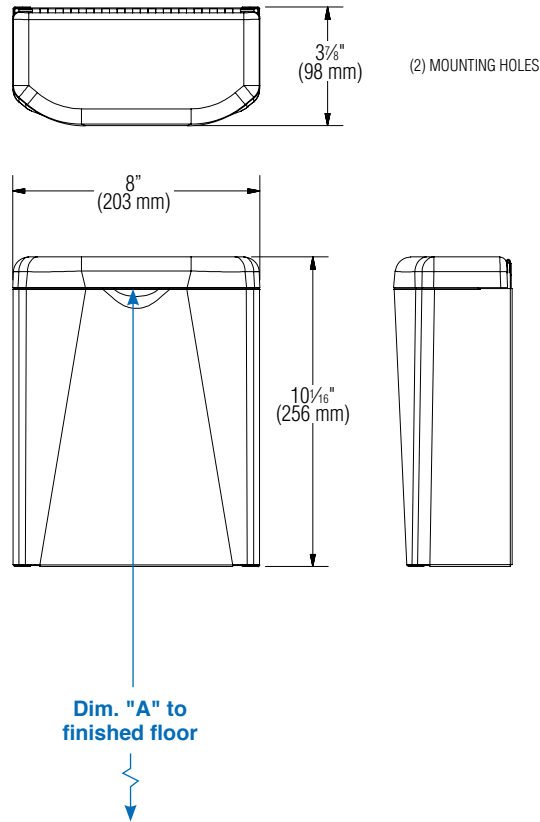
Page 1 of 2 11/11/2020  
This information is subject to change without notice.  
Bradley\_SanitaryProductDisposal\_4A10

[View Latest Version](#)

© 2020 Bradley  
P.O. Box 309, Menomonee Falls, WI 53052-0309  
800 BRADLEY (800 272 3539) +1 262 251 6000  
bradleycorp.com



Dimensions



Dim. "A" Key Surface:	For Dim. "A"	Locate Top of Unit	Locate Bottom of Unit
Waste receptacle top lip to finished floor	48" (1219mm)	49" (1245mm)	38 <sup>15</sup> / <sub>16</sub> " (989mm)
	40" (1016mm)	41" (1041mm)	30 <sup>15</sup> / <sub>16</sub> " (786mm)
	32" (813mm)	33" (838mm)	22 <sup>15</sup> / <sub>16</sub> " (583mm)
	24" (610mm)	25" (635mm)	14 <sup>15</sup> / <sub>16</sub> " (379mm)

Orders composed of products indicated as **Bradex**® will be available to ship in three days after receipt of order at the factory. There is no pricing penalty for this service from Bradley.

Page 2 of 2  
 11/11/2020  
 This information is subject to change without notice.  
 Bradley\_SanitaryProductDisposal\_4A10

[View Latest Version](#)

© 2020 Bradley  
 P.O. Box 309, Menomonee Falls, WI 53052-0309  
 800 BRADLEY (800 272 3539) +1 262 251 6000  
 bradleycorp.com