



2922-2873, 2922-2874

Adjustable Motor, Sensor-Operated Warm Air Hand Dryer

Recommended for very high traffic areas.

Standard Model 2922-287300 (aluminum - white)

Bradex®

Standard Model 2922-287400 (stainless steel-satin finish) Bradex®



Product Materials

2922-2873 COVER: die-cast aluminum finished with white epoxy paint with Steritouch®

2922-2874 COVER: one-piece stainless steel; satin finish

Cover fixed to the base plate with tamper proof screws.

ADJUSTABLE MOTOR: motor is a thermally-protected universal type operating at 23,400 RPM. Adjustable motor control switch has three settings; HI, MED and LOW.

HEATING ELEMENT: 400 watt heating element constructed of nichrome wire and protected by an automatic resetting thermal cutoff. Heater can be turned ON or OFF via internal switch.

SENSOR OPERATION: Automatic infrared sensor with a 3 second run-on time and a 30 second vandal shut-off.

BASE PLATE: Aluminum with four mounting holes and a .88" knockout.



Installation

Verify all rough-in dimensions prior to installation. Hand dryers require a dedicated 15 amp circuit and must be properly grounded. GFI Circuit protection is recommended. One side of dryer should be mounted to a stud. For proper mounting heights, see installation manual.

Operation

Place hands 3"-6" below nozzle to activate air flow. Dryer will stop after hands are removed from air flow.

Guide Specification

Surface-mounted hand dryer shall have a white cast aluminum cover with epoxy paint (2922-2873) or stainless steel cover with satin finish (2922-2874). All internal air flow paths shall incorporate SteriTouch antimicrobial technology. Hand dryer shall include aluminum base plate, adjustable universal type motor and infrared sensor. Dryer shall operate at 73 - 85 dB while delivering 78-100 CFM air at a velocity of 250 - 265 MPH or 22,000 - 23,320 LFM. Dryer shall produce air at 110 - 140°F. Dryer shall have total power of 400 - 1200 watts with a consumption of 3.3 - 10.0 A.

Overall dimensions: 12.5"H x 9.3"W x 7.6"D (319mm x 236mm x 192mm).

**Weight: Aluminum - 11.6 lb (5.2 kg)
Stainless Steel - 14.2 lb (6.4 kg)**

| Description | Part Number |
|-------------|-------------|
| Recess Kit | P10-749 |

Product Specifications

| | | | |
|-------------------|-------------------------|------------------|---|
| Voltage: | 100-120 V | Consumption: | 3.3-10.0 A |
| Nominal power: | 400-1200 W | RPM: | 23,400 |
| Airflow: | 78-100 CFM | Heating element: | 400 W |
| Noise level: | 73-85 dB | Airspeed: | 250-265 MPH |
| Frequency: | 60 Hz | Insulation: | Grounding required |
| Temperature: | 110°F-140°F (43°C-60°C) | Certificates: | UL 499 / CSA C22.2 (No. 36-08) |
| Drying time: | 10-12 seconds | Mounting: | Surface; not ADA compliant With recess kit*; ADA compliant |
| Protection level: | IP24 | | |

*Recess kit sold separately

Orders composed of products indicated as **Bradex®** will be available to ship in three days after receipt of order at the factory. There is no pricing penalty for this service from Bradley.

Page 1 of 2
5/29/2014
This information is subject to change without notice.
Bradley_HandDryer_2922-2873_2874

© 2014 Bradley
P.O. Box 309, Menomonee Falls, WI 53052-0309
800 BRADLEY (800 272 3539) +1 262 251 6000
bradleycorp.com

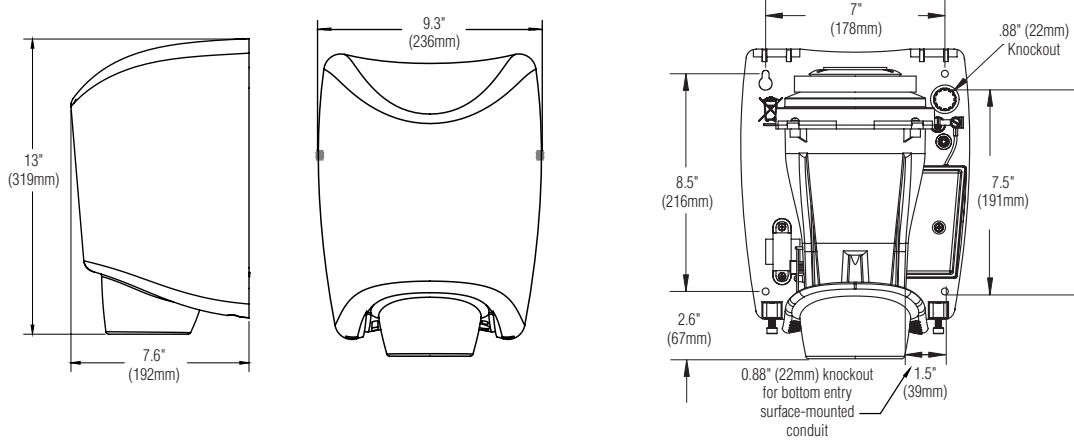


2922-2873, 2922-2874

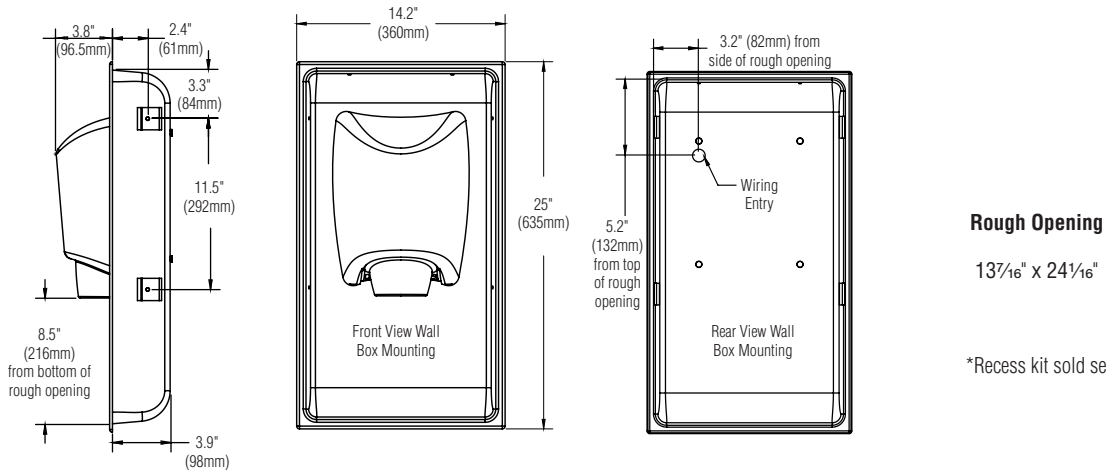
Adjustable Motor, Sensor-Operated Warm Air Hand Dryer

Dimensions

Surface Mounted



Recess Mounted*



Rough Opening

13 7/16" x 24 1/16"

*Recess kit sold separately

Orders composed of products indicated as **Bradex**® will be available to ship in three days after receipt of order at the factory. There is no pricing penalty for this service from Bradley.

Page 2 of 2
5/29/2014
This information is subject to change without notice.
Bradley_HandDryer_2922-2873_2874

© 2014 Bradley
P.O. Box 309, Menomonee Falls, WI 53052-0309
800 BRADLEY (800 272 3539) +1 262 251 6000
bradleycorp.com