

2483

Surface-Mounted Towel Dispenser

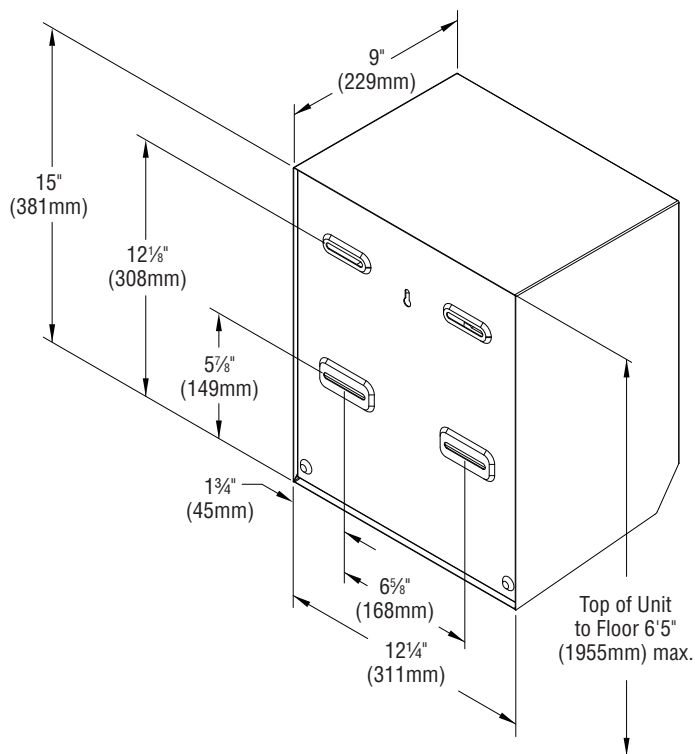
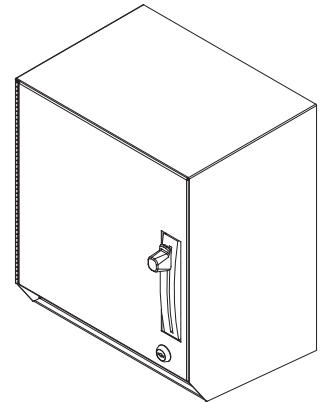
Installation

⚠ IMPORTANT: Adequate in-wall backing must be provided by installer to fully support the weight of the unit. Always check local codes and ordinances prior to installation.

1. **Plaster or Dry Wall Construction:** provide in-wall backing (suitable for use with #10 x 1" screws) at the mounting slot locations.

Other Wall Surfaces: provide fiber plugs or expansion shields (suitable for use with #10 x 1" screws supplied by installer), OR provide 1/8" toggle bolts or expansion bolts. If installing where unit projects above top of wainscot, provide aluminum channel or other filler to prevent gap from finished wall to the back of the unit. For block walls, use metal expansion shields.

2. Unlock the door. Secure the unit to the wall through the concealed slots provided with the hardware appropriate for your wall construction.



⚠ IMPORTANT: For unobstructed forward or side reach, the unit should be installed so that the top edge of dispensing area is 48" (1219mm) maximum above finished floor (AFF).