



- Model 175 — Recessed *Bradex*<sup>®</sup>**
- Model 175-10 — Semi-Recessed**  
**(recesses 2"; projects 2<sup>13</sup>/<sub>32</sub>" )**
- Model 175-11 — Surface-Mounted**  
**(projects 4<sup>13</sup>/<sub>32</sub>" )**

- Full Size Mirror
- Reversible in the field

### Product Materials

**FLANGE:** 22 gauge stainless steel with exposed surfaces in architectural satin finish. One-piece seamless construction, 1" wide with ¼" return.

**CABINET:** 26 gauge stainless steel.

**DOOR:** 22 gauge stainless steel with heavy-duty full-length piano hinge. Equipped with magnetic catches and spring-buffered rodstop.

**MIRROR:** first quality ¼" float glass triple-silvered, electro-copper plated with baked enamel backing, guaranteed for 15 years against silver spoilage. Protected by shock-absorbing filler.

**INTERIOR SHELVES:** 22 gauge stainless steel. Four shelves — three adjustable, one fixed. Each shelf area is 60 sq. in.

- An inherent characteristic of a manufacturing process for tempered glass is distortion which may vary from mirror to mirror.

### Operation

Spring-buffered rodstop prevents door from opening beyond 90 degrees.

### Installation

Verify all rough-in dimensions prior to installation. Recessed unit requires rough wall opening 15½"W x 29½"H x 4"D. Secure to framing with mounting screws (included) at holes provided. Shim at screw points as required. Cabinet may be inverted for left hand door swing.

### Guide Specification

Recessed medicine cabinet consisting of mirror and storage cabinet with four shelves shall be fabricated of stainless steel with exposed surfaces in satin finish. Mirrored door with full-length piano hinge. Interior of storage cabinet to have four shelves — three adjustable and one fixed. Adjustable for right or left hand door swing.

**Overall dimensions: 17½"W x 30½"H x 4"D.**



### Optional Features\*

| Feature   | Suffix |
|---|--------|
| Tempered glass in lieu of float glass             | -22    |
| #8 stainless steel mirror in lieu of glass        | -23    |
| Satin stainless steel door in lieu of float glass | -21    |

\* Optional features are not available with every mounting style. Please contact Bradley Customer Service to determine which options are available for your desired mounting style.

### ADA Compliant

- Consult local and national accessibility codes for proper installation guidelines.
- Conformity and compliance to local and national codes is the responsibility of the installer.

Orders composed of products indicated as *Bradex*<sup>®</sup> will be available to ship in three days after receipt of order at the factory. There is no pricing penalty for this service from Bradley.

Page 1 of 2  
This information is subject to change without notice.  
Bradley\_MedicineCabinet\_175\_10\_11

6/4/2021

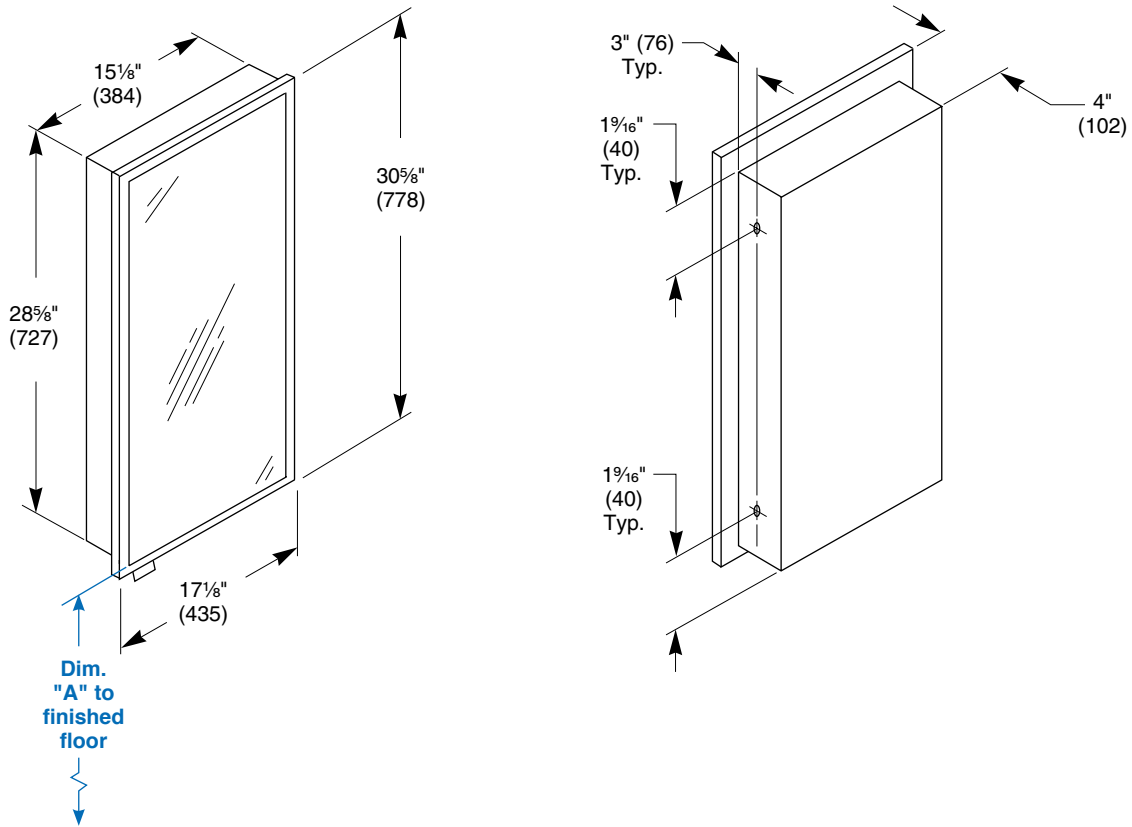
[View Latest Version](#)

© 2021 Bradley  
P.O. Box 309, Menomonee Falls, WI 53052-0309  
800 BRADLEY (800 272 3539) +1 262 251 6000  
bradleycorp.com



Dimensions

(mm)



| Dim. "A" Key Surface:  | For Dim. "A"  | Top of Rough Wall Opening | Bottom of Rough Wall Opening |
|--|---|---------------------------|------------------------------|
| Mirror's bottom edge of the reflecting surface to finished floor | 48" (1219)  | 77 1/4" (1962)            | 48 1/8" (1222)               |
|  | 45" (1143)  | 74 1/4" (1886)            | 45 1/8" (1146)               |
|  | 42" (1067)  | 71 1/4" (1810)            | 42 1/8" (1070)               |
|  | 40" (1016)  | 69 1/4" (1759)            | 40 1/8" (1019)               |
| <b>Rough wall opening:</b>                                       |   |                           |                              |
| Surface Mount:   | No rough opening, see overall dimensions                |                           |                              |
| Recessed:  | 15 5/8" (397) Wide x 29 1/8" (740) High x 4" (102) Deep |                           |                              |
| Semi-Recessed:   | 15 5/8" (397) Wide x 29 1/8" (740) High x 2" (51) Deep  |                           |                              |

Orders composed of products indicated as **Bradex**® will be available to ship in three days after receipt of order at the factory. There is no pricing penalty for this service from Bradley.