



**BUILDING VALUE SINCE 1906**

# CompacDryer™ B-710 Dryer Troubleshooting and Information Guide

Effective 6/1/19

**All Bobrick dryers require cleaning every 6 months to ensure that they function effectively. Please note that failing to clean the dryer may result in malfunction and can void the warranty.**

(Refer to page 7 of the [Dryer Troubleshooting and Information Guide](#) for Routine Maintenance Instructions)

[www.bobrick.com](http://www.bobrick.com)

## **BOBRICK DOMESTIC**

Email: [customerservice@bobrick.com](mailto:customerservice@bobrick.com)

### **Corporate Office - Los Angeles - Bobrick Washroom Equipment**

6901 Tujunga Avenue, North Hollywood, California 91605-6213

Customer Service: 818.982.9600, Fax: 818.503.9287

### **New York - Bobrick Washroom Equipment, Inc.**

200 Commerce Drive, Clifton Park, New York 12065-1350

Customer Service: 518.877.7444, Fax: 518.877.5029

### **Canada - Bobrick Washroom Equipment Company**

45 Rolark Drive, Scarborough, Ontario M1R 3B1

Customer Service: Eastern Canada: 877.423.6555, Fax: 423.765.8555

Western Canada: 877.423.6444, Fax: 423.503.8444

## **BOBRICK INTERNATIONAL**

Email: [international@bobrick.com](mailto:international@bobrick.com)

### **Corporate Office - Bobrick Washroom Equipment, Inc.**

6901 Tujunga Avenue., North Hollywood, California 91605-6213 USA

Customer Service: +1 818.764.1000, Fax: +1 818.503.9941;

### **United Kingdom Bobrick Washroom Equipment Limited**

Phone: +44 (0)20.8366.1771, Fax: +44 (0)20 8363 5794; Email: [info@borick.co.uk](mailto:info@borick.co.uk)

**Germany** Phone: 0800.79.00.456; Email: [info@bobrick.de](mailto:info@bobrick.de)

### **Australia Bobrick Washroom Equipment Pty. Ltd.**

Phone: +1800 353158, Fax: +1800 221926; Email: [info@bobrick.com.au](mailto:info@bobrick.com.au)

# CompacDryer™ B-710 Dryer

## Contents

Page

Instructions for Using the Dryer Guide ..... 3

Sample Dryer Service Information Sheet ..... 4

Date Code Information ..... 5

Routine Maintenance Instructions ..... 6

Information and Troubleshooting ..... 7

Replacement Instructions ..... 8

Schematic Diagram ..... 9

Limited Warranty ..... 10

# Instructions For Using The Dryer Guide

- Signs for your safety:



General mandatory sign (to be accompanied where necessary by another sign)



Danger: Electricity

- Please fill out the Dryer Service Information Sheet completely. If a section is not necessary/available insert N/A in the space.
- If the faulty dryer has been installed for 2 months or less, then **replace complete dryer and return faulty unit to the nearest [Bobrick Customer Service Department](#)**.
- When you receive a call concerning a dryer problem inform, the customer/end user to **clean the dryer and check the motor brushes** before going on with diagnosing the problem. Fax them the cleaning instructions from the guide. If the dryer still does not function after cleaning, then continue filling out the Dryer Service Information Sheet.
- Inform the customer/end user that the malfunctioning/replaced parts must be returned to the Bobrick Customer Service Department or a charge will be made for replacement parts.



Dryer Service Information Sheet

Distributor/Rep/End-User Name: Bobrick's best

Address: 12345 Your Street, Suite 100

City: Toon Town State: Your State Zip code: 98765

Job Name: Fantasy Lane Job Location: My Town

Contact Name: Jessica Rabbit Telephone: (555) 555-3333 Fax: (555) 555-4444

Email: jrabbit@bobricksbest.com Account #: 99999 Sales order #: 246810

Invoice #: 35791 Invoice Date: 03/03/20

**Dryer Model Information:**

Automatic Dryer:  TouchButton Dryer:  (check one)

Dryer:  Dryer:  (check one)

Dryer model #/voltage: 700 115V

Quantity defective: 1 Quantity on job: 2 Date of installation: 06/03/20

Date code (as seen on bottom edge of cover on dryer UL label. For example: 04A): \_\_\_\_\_

**Dryer Information:**

When did dryer problems first occur from date of installation?

(Circle one) Upon Installation      0-2 Months      2+ Months      Out of Warranty

*If dryer problem occurred within two months of installation, REPLACE dryer and return faulty dryer.*

Does the dryer in any way function now? No (Yes or No)

Has the dryer been cleaned in the past 6 months? No (Yes or No). If No, send a cleaning sheet and await outcome.

Full description of fault: Unit would not start upon installation.

**Reference to Diagnostic Sheets:**

Problem and possible solution: Faulty controller

Problem number(s) (as seen in left margin on diagnostic sheet): # 1 F

Repair kit/parts required (if dryer needs to be returned write RETURN): Return

Part number(s) for replacements: Complete Unit Replaced on SO #: \_\_\_\_\_

**ANY DEFECTIVE PARTS MUST ACCOMPANY THIS COMPLETED SHEET TO BOBRICK'S SERVICE DEPARTMENT.**

Information sheet completed by: Your Name Completion Date: 6/6/20

Branch/Rep Firm: \_\_\_\_\_

# Date Code Information

The date code on all Bobrick Dryers is found on the upper left corner of the rating label and on the serial number label.

The date code will contain two digits and one letter.

The digits designate the week and the letter designates the year.

Example: 30Z      week thirty, year 2000.

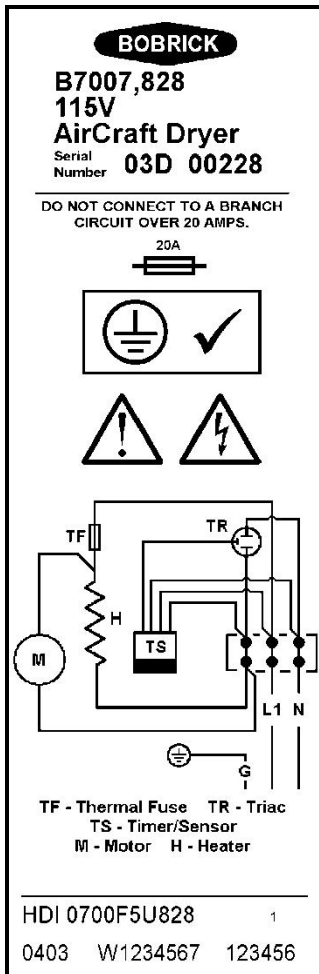
All digits and letters are in ascending order.

Weeks are numbered from 1 to 52 for each year.

- V = 2019
- U = 2018
- T = 2017
- S = 2016
- R = 2015
- P = 2014
- N = 2013
- M = 2012
- L = 2011
- K = 2010
- J = 2009
- H = 2008
- G = 2007
- F = 2006
- E = 2005
- D = 2004
- C = 2003
- B = 2002
- A = 2001
- Z = 2000
- Y = 1999
- W = 1997
- X = 1998
- V = 1996
- U = 1995
- T = 1994
- S = 1993
- R = 1992
- P = 1991
- N = 1990
- M = 1989



**Rating Label**



← Date code and serial number

**Serial Number Label**

# Routine Maintenance Instructions

- All Bobrick Dryers require cleaning every 6 months to ensure that they function effectively. Please note that failing to clean the dryer may result in malfunction and can void the warranty.
- If the dryer is installed in an area prone to dust and dirt this cleaning procedure should be carried out more frequently.
- Check the length of motor brushes, where applicable, when performing the cleaning procedure.

## Cleaning Instructions:



Warning  
Risk of electric  
shock



Disconnect power  
supply before  
removing cover

### a) The Exterior of Cover

Should be cleaned with a damp cloth, **DO NOT** use aggressive cleaners or solvents as they may permanently damage the surface.

Bobrick dryers are drip proof (IP21 or better, see rating label). **DO NOT** spray with liquids to an extent that they could enter the unit.

### b) The Interior

Having turned off all power to the dryer, remove the cover.

Using a small brush or vacuum, carefully clean out the build up of dust and lint.

Check the length of the motor brushes. If less than 1/2" replace. Check that motor brushes are installed correctly and that brushes are worn evenly.

Replace the cover.

Turn the power back on.

# Information and Troubleshooting for the B-710 CompacDryer™

For complete set of Installation Instructions refer to form No. 710-69 \_

## Information about the Dryer:

- Model B-710 CompacDryer™ is not designed for vandal-prone installations. For vandal-prone installations use Bobrick AirCraft® dryers with cast-iron, vitreous enamel finished covers.
- Only the cover and the electronic controller are available for replacement.

## Product Types:



B-710 Series A



B-710 Series B

## Electrical Characteristics:

115V, 15A, 1725W, 60 HZ, cULus listed.

220-240V, 7A, 1500-1700W, 50/60Hz, VDE approved, CE marked.

## Removal of Cover:

Remove three screws, one from each side and one from the bottom of the dryer. Pull bottom of the cover away from the mounting base.

## If a fault occurs with the dryer:

1. Check that the electrical supply is OK.
2. Check that the circuit breaker is switched on.
3. Check that sensor is clean and not obstructed.

## Replacement Parts:

710-250 Series B cover 115V

710E-150 Series A cover 220-240V

710-360 Controller 115V

710-361 Controller 220-240V



Warning  
Risk of electric  
shock



Disconnect power  
supply before  
removing cover

# Replacement Instructions for B-710 CompacDryer™ Cover

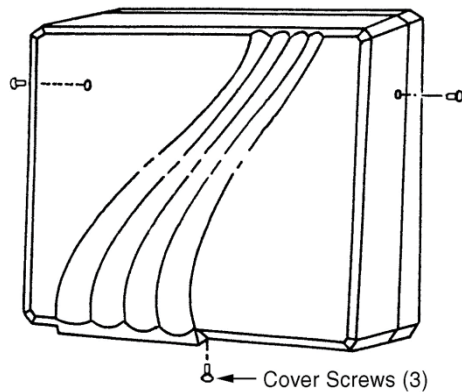


**Warning**  
Risk of electric  
shock



**Disconnect power**  
supply before  
removing cover

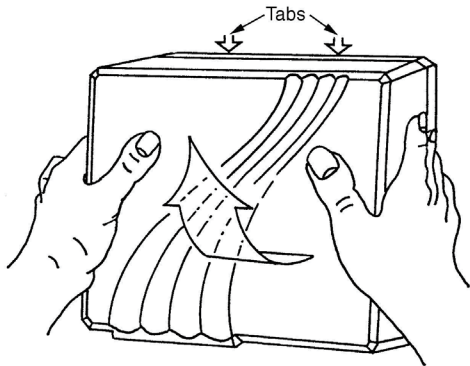
Fig 1



## To Remove Existing Cover

1. Remove the (3) Phillips-head screws from the cover, (1) from each side and (1) from the bottom face of the dryer. See Fig. 1.
2. Pull the bottom of the cover outward and slightly downward, then rotate upward to disengage the (2) tabs from the slots at the base. See Fig. 2.

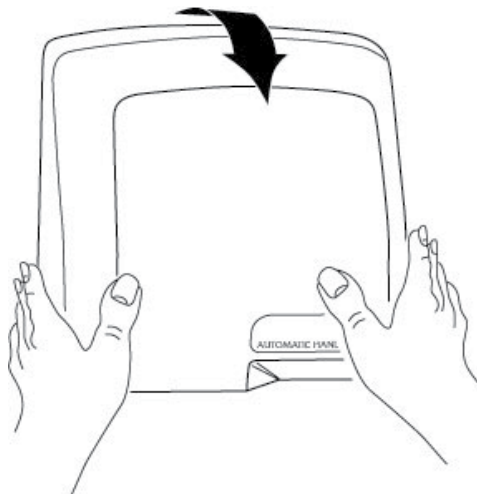
Fig 2



## To Install New Cover

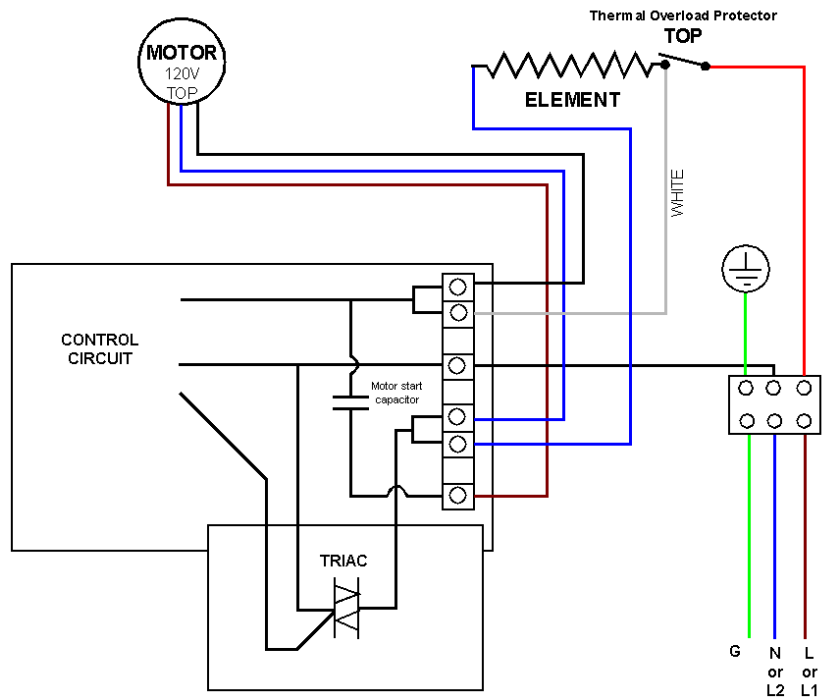
1. Slide cover onto base plate making sure that the bottom outlet aperture engages in the sides of the outlet grille.
2. Push the top of the cover forward until the (2) tabs snap into the slots in the base. See Fig. 3.
3. Check that the cover is a close fit to the base, then replace the (3) screws.
4. Reconnect electrical supply and test with normal hand drying procedure, allowing 10 seconds for the sensor to stabilize.

Fig 3

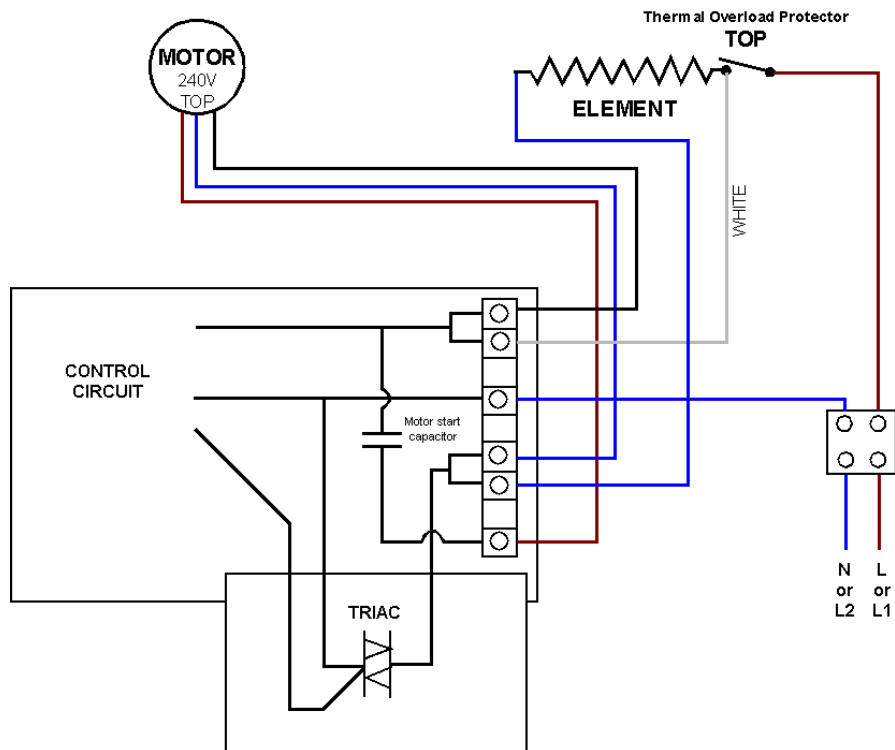




# Schematic Diagram 115V Dryer



# Schematic Diagram 220-240V Dryer



# Limited Warranty

The Bobrick B-710 CompacDryer™ are warranted to the original owner of the installed unit for one year from date of original installation against defects in factory workmanship or material under normal use and service\*.

This warranty is limited to repair or exchange of defective parts at the option of Bobrick.

**THIS WARRANTY DOES NOT COVER ACCIDENTAL DAMAGE, IMPROPER HANDLING OR INSTALLATION, OR REPAIRS MADE BY UNAUTHORIZED PERSONS, AND SPECIFICALLY EXCLUDES CLAIMS FOR INDIRECT, ACCIDENTAL OR CONSEQUENTIAL DAMAGES TO PROPERTY. THE IMPLIED WARRANTIES OF MERCHANTABILITY AND FITNESS FOR A PARTICULAR PURPOSE ARE LIMITED TO THE SAME DURATION OF THE ABOVE WARRANTY.**

Some states do not allow the exclusion of incidental or consequential damages, so the above limitation or exclusion may not apply to you. Some states do not allow limitations on how long an implied warranty lasts, so the above limitation may not apply to you. This warranty gives you specific legal rights, and you may also have other rights which vary from state to state.

**\* Normal service constitutes performing the following preventive maintenance procedures at six-month intervals:**

**Clean any lint, dust or grease from air-intake grille and air-outlet grille.**

**Labor costs for preventive maintenance shall be at owner's expense.**

For repair or exchange of defective part, send the part together with installation date and serial number to Bobrick.