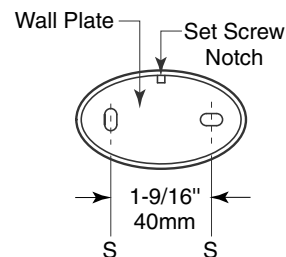
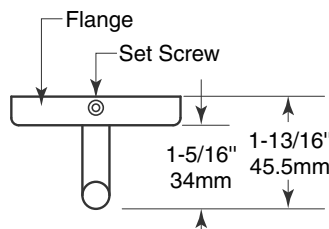
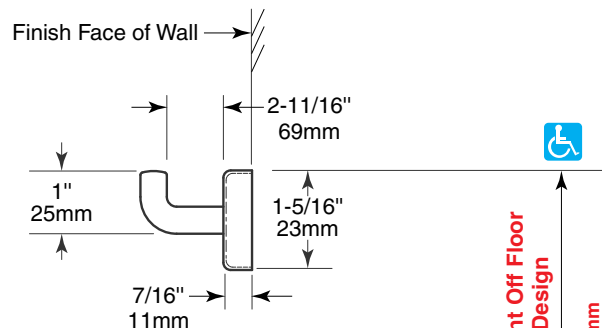
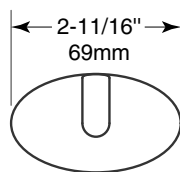


**BOBRICK****Technical Data****NYLON  
SINGLE CLOTHES HOOK****B-5116****MATERIAL:**

**Concealed Wall Plate** — Polyamide 6 -fiberglass reinforced nylon with W1 White glossy finish. Two mounting screws for attachment to wall.

**Hook and Flange** — One-piece polyamide 6 with W1 White glossy finish. Secured to Concealed Wall Plate with set screw.

**INSTALLATION:**

Remove Concealed Wall Plate from back of Hook and Flange with a flat-blade screwdriver. Concealed Wall Plate may be used as a template to mark locations of mounting screws on finished wall. Mount Concealed Wall Plate with oval shape in a horizontal orientation with set screw located on top.

Mount wall plate on finished wall, secure with two sheet-metal screws, furnished by manufacturer, at points indicated by an S. Snap Flange Hook and Flange onto wall plate by inserting internal tab into slot at bottom, rear of Concealed Wall Plate. Rotate Hook Flange up so back of Flange is fully against the wall, then secure into position with set screw at top furnished by manufacturer.

For partitions with particle-board or other solid core, secure with sheet-metal screws furnished, or provide through-bolts, nuts and washers.

For hollow-core metal partitions, provide solid backing into which the furnished sheet-metal screws can be secured.

For plaster or drywall construction, provide concealed backing to comply with local building codes, then secure unit with sheet-metal screws furnished.

For other wall surfaces, provide fiber plugs or use expansion shields (furnished) for use with sheet-metal screws furnished by manufacturer, or provide 1/8" (3mm) toggle bolts or expansion bolts.

**CLEANING AND MAINTENANCE:**

DO NOT USE abrasive liquid detergents. Chlorine bleach does not improve the aseptic aspect of the equipment and could lead to opacity and deterioration of the material.

**SPECIFICATION:**

Nylon Single Clothes Hook with concealed mounting shall be one-piece polyamide 6 with glossy finish. Hook and Flange shall be secured to a Concealed Wall Plate with set screw.

**Nylon Single Clothes Hook shall be Model B-5116 of Bobrick Washroom Equipment, Inc., Clifton Park, New York; Jackson, Tennessee; Los Angeles, California; Bobrick Washroom Equipment Company, Scarborough, Ontario; Bobrick Washroom Equipment Pty. Ltd., Australia; and Bobrick Washroom Equipment Limited, United Kingdom.**