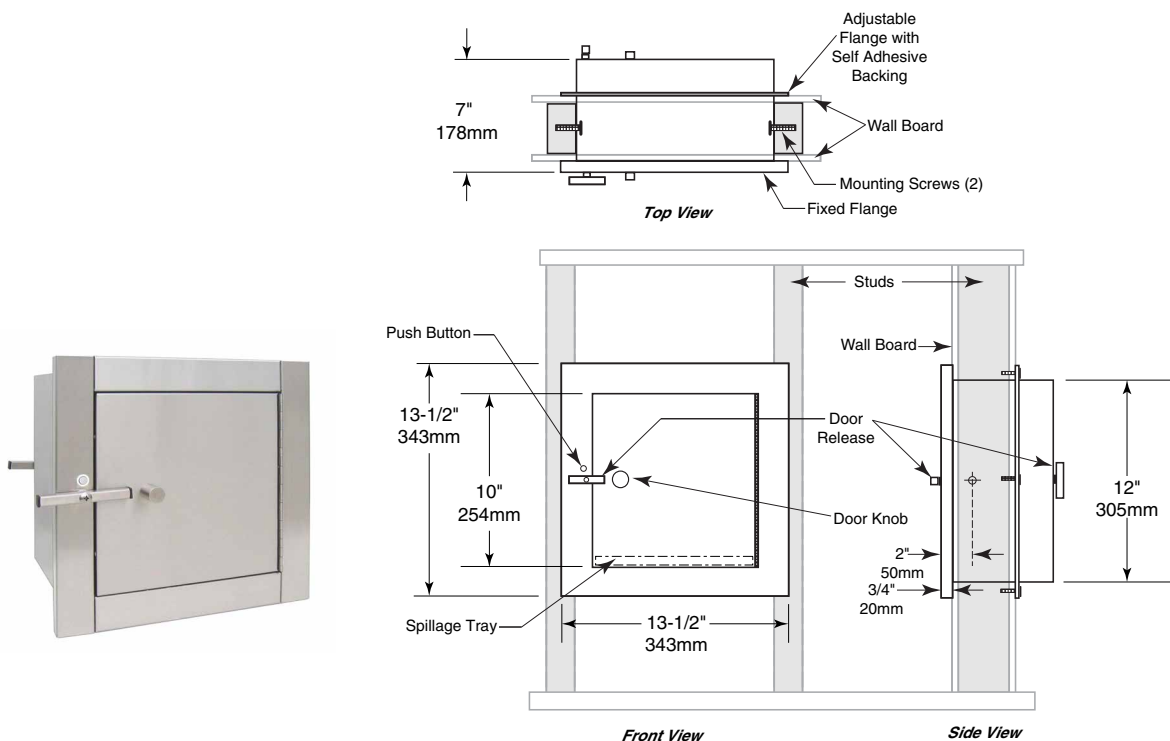




# RECESSED SPECIMEN PASS-THROUGH CABINET

# B-50516



**Rough Wall Opening**  
 12-3/8" (315mm) wide  
 12-3/8" (315mm) high  
 3" to 6" (76 to 152mm) wall thickness

## MATERIALS:

**Cabinet** — Cabinet is entirely constructed of 20 gauge (0.9mm) Type 304 stainless. All welded construction. All exposed surfaces shall have satin-finish.

**Flanges (2)** — 18 gauge (1.2mm) Type 304 stainless steel. Integral Fixed Wall Flange and opposing Adjustable Wall Flange. Adjustable in the field for wall depths of 3" to 6" (76 to 152mm).

**Doors (2)** — 20 gauge (0.9mm) Type 304 stainless. Two door pass through. Door interlock prevents both doors from opening at same time.

**Spillage Tray** — 20 gauge (0.9mm) Type 304 stainless steel. All-welded construction.

## OPERATION:

Open door on patient side where samples are placed inside. Door on lab side cannot be opened until patient side is closed.

## INSTALLATION:

Cut wall opening and insert cabinet. Drill through provided mounting holes into framing. Insert appropriate screws into holes and tighten. Remove paper backing from adjustable wall flange, exposing high strength adhesive. On the opposite side of wall, slide wall flange over the cabinet and firmly against wall.

## SPECIFICATION:

Specimen Pass Through Cabinet shall have 2 doors with interlock to prevent the opening of both doors at same time. Unit shall be constructed of Type 304 stainless steel with satin-finish, welded and polished. Unit shall comply with ADA-ABA, ICC/ANSI A117.1 for operation with one hand with less than 5 pounds of force (22.2 N) without tight grasping, pinching or twisting of the wrist. Provide spillage tray and adjustable wall flange. Door secured to cabinet with a full-length stainless steel piano-hinge.

**Specimen Pass-Thru Cabinet shall be Model B-50516 of Bobrick Washroom Equipment, Inc., Clifton Park, New York; Jackson, Tennessee; Los Angeles, California; Bobrick Washroom Equipment Company, Scarborough, Ontario; Bobrick Washroom Equipment Pty. Ltd., Australia; and Bobrick Washroom Equipment Limited, United Kingdom.**