

# INSTRUCTIONS FOR INSTALLATION AND MAINTENANCE

## Recessed and Surface-Mounted Paper Towel Dispenser with Automatic Hand Dryer and Waste Bin (3-in-1 Unit)

### Recessed

- B-38030 115V, 4" (102 mm)
- B-38030 230V, 4" (102 mm)
- B-38031 115V, 8" (203 mm)
- B-38031 230V, 8" (203 mm)

### Surface-Mounted

- B-380309 115V, 4 11/16" (120 mm)
- B-380309 230V, 4 11/16" (120 mm)

### IMPORTANT NOTES:


For proper electrical connections, check local building codes. Unit must be installed by a qualified licensed electrician.

This appliance is designed to be used in commercial areas (in accordance with Clause 26.1 of EN 60335-2-23)

Warm air hand dryer is intended for use in an indoor environment by non-expert users.

This appliance can be used by children aged from 8 years and above and persons with reduced physical, sensory or mental capabilities or lack of experience and knowledge if they have been given supervision or instruction concerning use of the appliance in a safe way and understand the hazards involved. Children shall not play with the appliance. Cleaning and user maintenance shall not be made by children without supervision.

Electronic automatic dryer sensor will pick up movement within 100mm (4") of the air outlet opening.

**WARNING:** In the fixed wiring must be incorporated a disconnection device. Dryer must be grounded (earthed). 

### SAFETY WARNING

**Installation and wiring must conform to current local regulations and building codes. Unit must be installed by a qualified electrician. Turn off electrical power supply before making electrical connections. If the unit fails or malfunctions, it should be disconnected from the power supply and a qualified electrician should be called. To avoid potential injury, the building owner or maintenance personnel should remove the unit from service if the dryer cover is missing or damaged.**

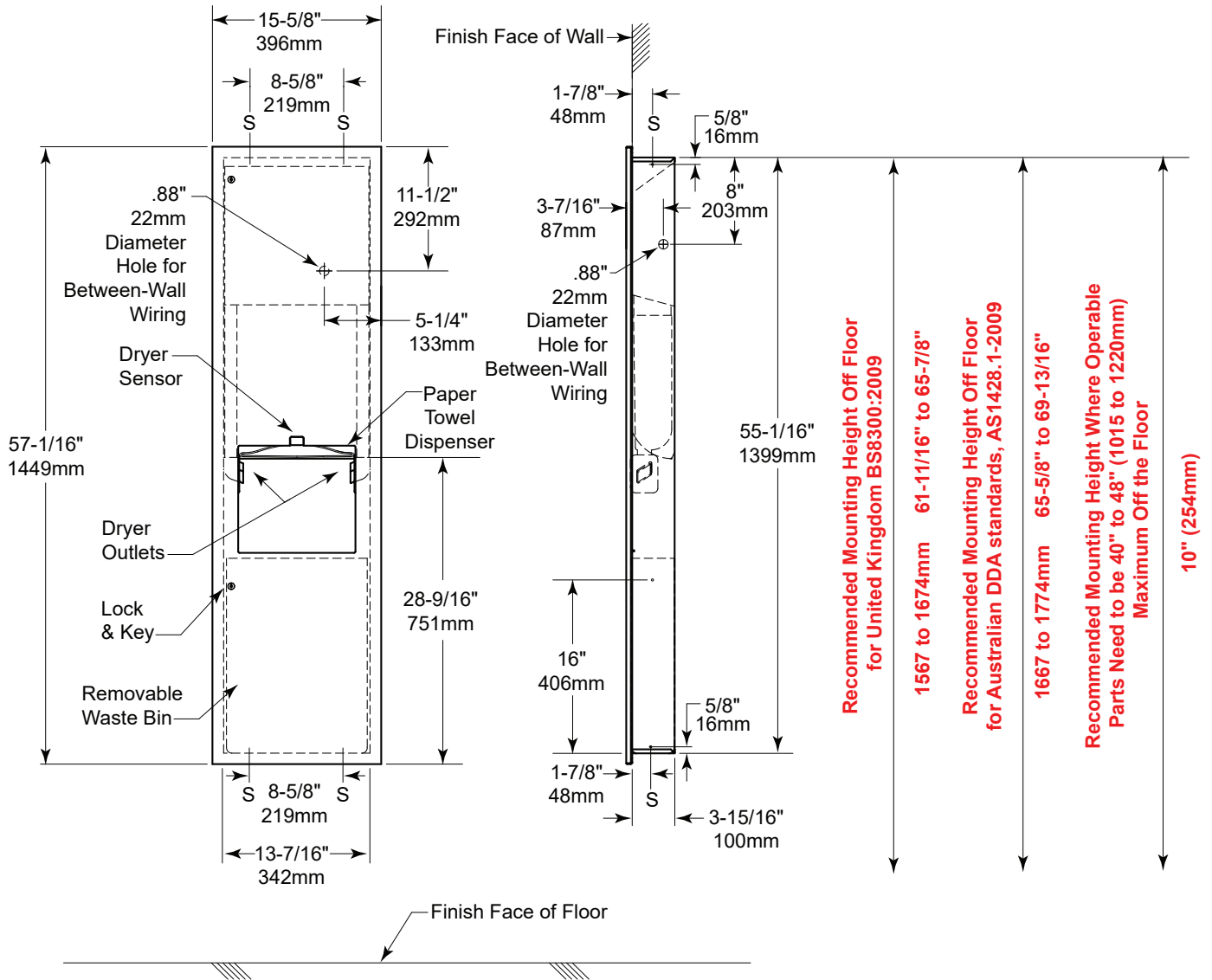
**INSTALLATION OF CABINET:**

**B-38030 115V:** 115V, 8.0 Amp, 920 Watts, 50/60 Hz, Single Phase, cUL Listed.

**B-38030 230V:** 208-240V, 3.6-4.2 Amp, 750-1000 Watts, 50/60 Hz, Single Phase, CE Marked, cUL Listed.

Provide framed rough wall opening 362mm (14-1/4") wide x 1412mm (55-9/16") high. Minimum recessed depth required to finish face of wall is 100mm (4"). Allow clearance for construction features that may protrude into rough wall opening from opposite wall. Coordinate with mechanical engineer to avoid pipes, vents and conduits. If unit projects above top of wainscot, provide channel or other filler to eliminate gap between cabinet flange and finish face of wall. Mount unit in wall opening with shims between framing and cabinet at all points indicated by an "S" in Figure 1, then secure unit with 4.2 x 32mm (#8 x 1-1/4") sheet-metal screws (not furnished). Provide electrical service from nearest distribution panel to dryer mounting base in conformance with local electrical codes

**Figure 1**



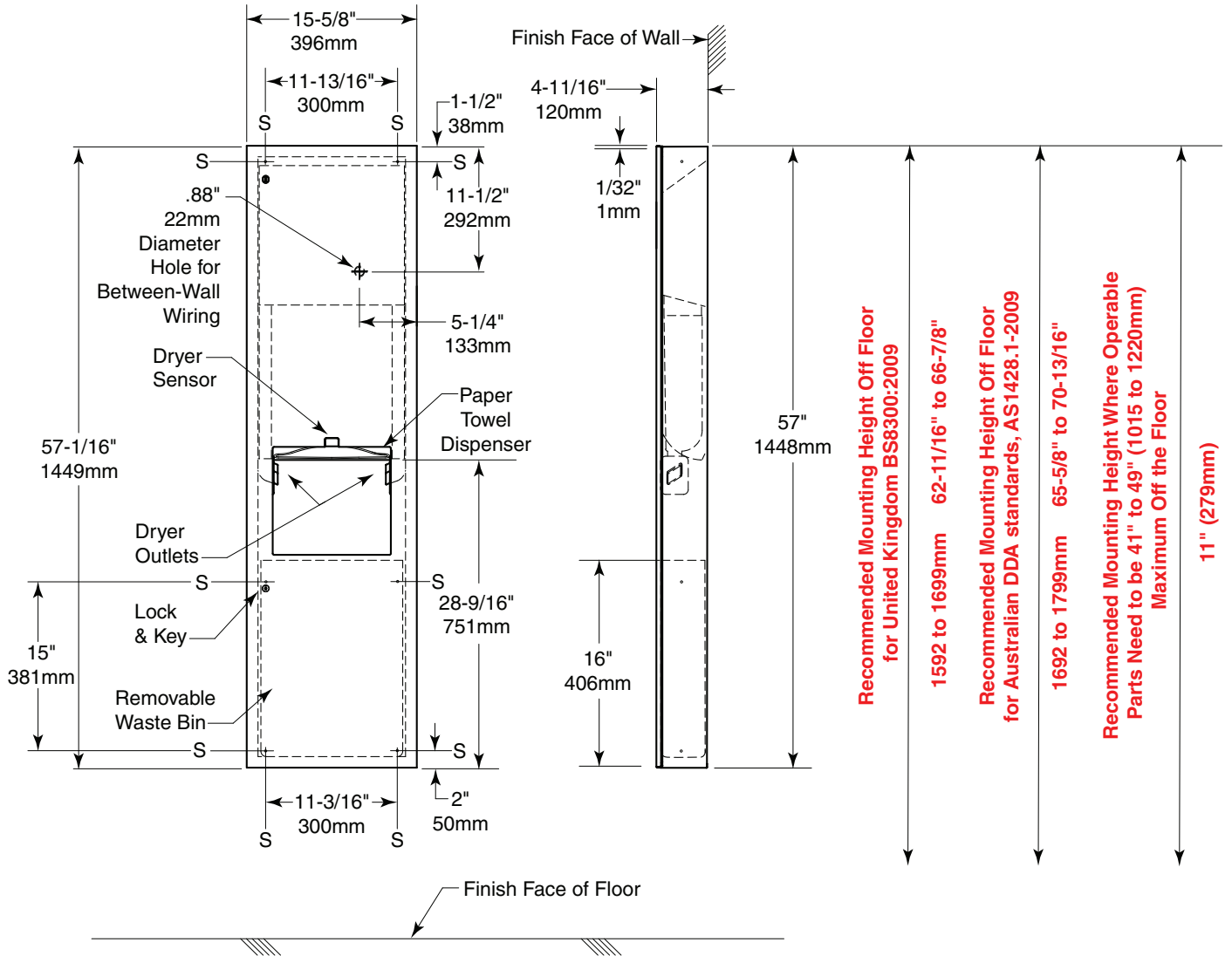
**INSTALLATION OF CABINET:**

**B-380309 115V:** 115V, 8.0 Amp, 920 Watts, 50/60 Hz, Single Phase, cUL Listed.

**B-380309 230V:** 208–240V, 3.6-4.2 Amp, 750-1000 Watts, 50/60 Hz, Single Phase, CE Marked, cUL Listed.

Mount unit on wall with six 4.2 x 32mm (#8 x 1-1/4") sheet-metal screws and washers (not furnished) at points indicated by "S" in Figure 2. For plaster or dry wall construction, provide concealed backing to comply with local building codes, then secure unit with sheet-metal screws. For other wall surfaces, provide fiber plugs or expansion shields for use with sheet metal screws, or provide 3mm (1/8") toggle bolts or expansion bolts. If unit projects above wainscot, provide aluminum channel or other filler to eliminate gap between skirt and finish face of wall. Provide electrical service from nearest distribution panel to dryer mounting base in conformance with local electrical codes.

**Figure 2**



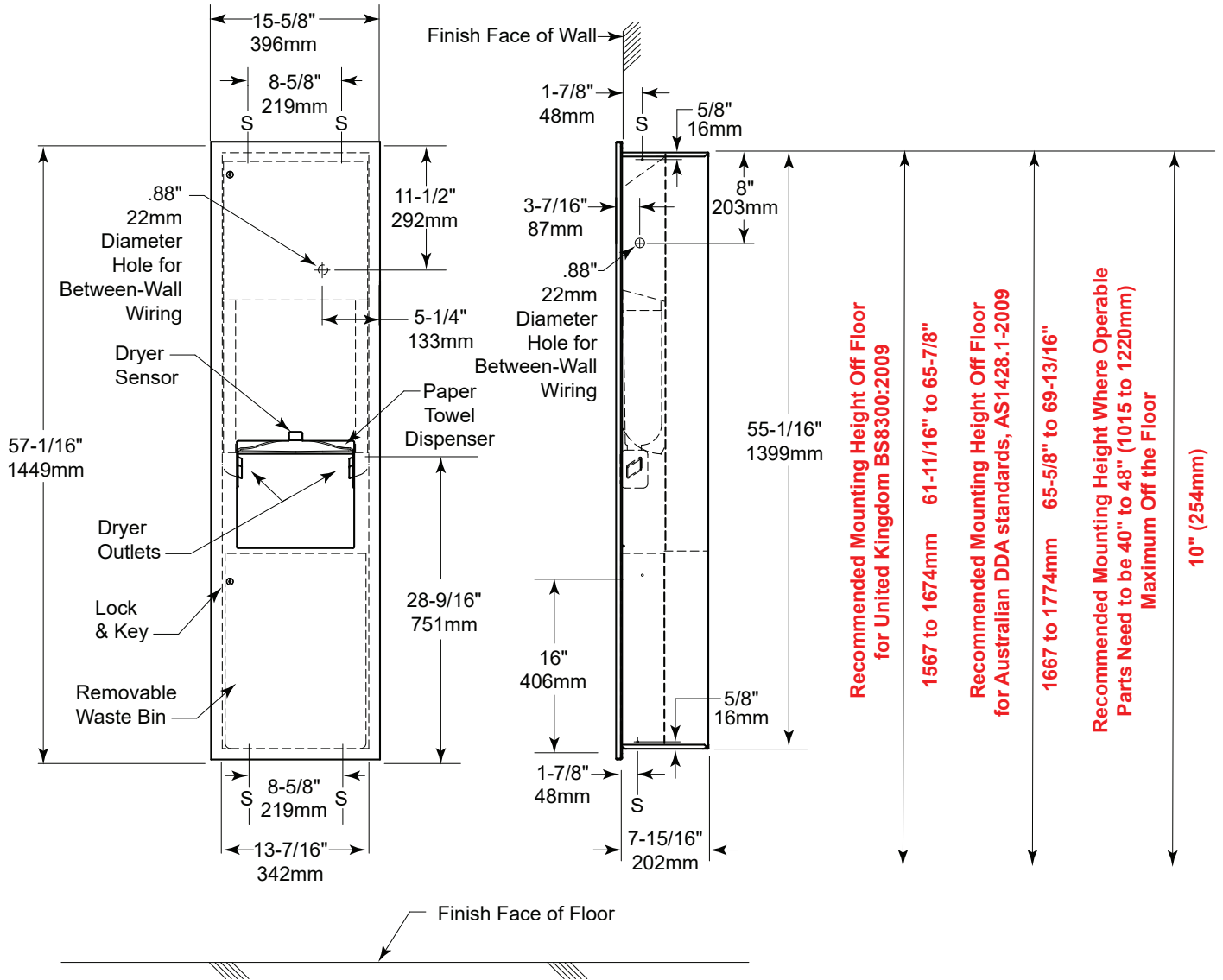
**INSTALLATION OF CABINET:**

**B-38031 115V:** 115V, 8.0 Amp, 920 Watts, 50/60 Hz, Single Phase, cUL Listed.

**B-38031 230V:** 208-240V, 3.6-4.2 Amp, 750-1000 Watts, 50/60 Hz, Single Phase, CE Marked, cUL Listed.

Provide framed rough wall opening 362mm (14-1/4") wide x 1412mm (55-9/16") high. Minimum recessed depth required to finish face of wall is 200mm (8"). Allow clearance for construction features that may protrude into rough wall opening from opposite wall. Coordinate with mechanical engineer to avoid pipes, vents and conduits. If unit projects above top of wainscot, provide channel or other filler to eliminate gap between cabinet flange and finish face of wall. Mount unit in wall opening with shims between framing and cabinet at all points indicated by an "S" in Figure 3, then secure unit with 4.2 x 32mm (#8 x 1-1/4") sheet-metal screws (not furnished). Provide electrical service from nearest distribution panel to dryer mounting base in conformance with local electrical codes

**Figure 3**



**ELECTRICAL CONNECTION OF HAND DRYER:**

Electrical supply entry holes are located in the rear of the cabinet at lower right corner of the dryer mounting base and at the right side of the cabinet. Supply cable with supplementary insulation into one of these locations in the unit cabinet. Cabinet should be fitted with a conduit connection. Plastic grommet supplied to use as necessary.

1. Connect dryer to nearest distribution panel. Use wire as required by local electrical code, 3.31mm<sup>2</sup> dia. (No. 12) wire or larger.
2. Wiring Instructions:
  - a. This appliance is intended for connection to fixed wiring.
  - b. A fused means for disconnection in all poles must be provided in the fixed wiring in accordance with the wiring rules.
  - c. Check that the electrical rating shown on the dryer (rating label) is compatible with the electrical supply.
  - d. **WARNING: THIS PRODUCT MUST BE GROUNDED (EARTHED).**
  - e. Installation and wiring must conform to current IEE Regulations (UK), local or appropriate regulation (other countries).
  - f. For 115-Volt dryers: Connect ground wire to ground terminal marked  $\oplus$ , the black or hot wire to terminal marked L1, and neutral or white wire to terminal marked N

For 208–240 Volt dryers: Connect ground/earth supply the terminal marked  $\oplus$  and the 208-240 Volt wires to terminals marked L (L1) and N (L2).

3. Secure electrical wire in strain relief clamp provided on mounting base.

**CHECK DRYER OPERATION:** 

1. Turn electrical power supply on.
2. Position hands under air outlet, within 100mm (4") of air outlet opening.
3. Dryer should turn on. Warm air should blow from air outlet.
4. Remove hands from under air outlet and dryer should stop (within 2 seconds).

**GENERAL OPERATING CONDITIONS:** 

The following minimum machine operating environmental parameters must be met in order to allow proper dryer operation:

1. The equipment will operate correctly in its intended ambient operating temperature range, at a minimum, between +5°C (41°F) and +40°C (104°F).
2. The equipment will operate correctly within a relative humidity environment at 50%RH, +40°C (104°F). Higher RH may be allowed at lower temperatures. Measures shall be taken by the Purchaser to avoid the harmful effects of occasional condensation.
3. The equipment will operate correctly up to 2000m (6,560ft) above mean sea level.
4. The equipment will operate in a normal office type Pollution Degree 2 environment.
5. The mains supplies in this equipment are designed to work at +/-10% voltage fluctuation of the marked rating.

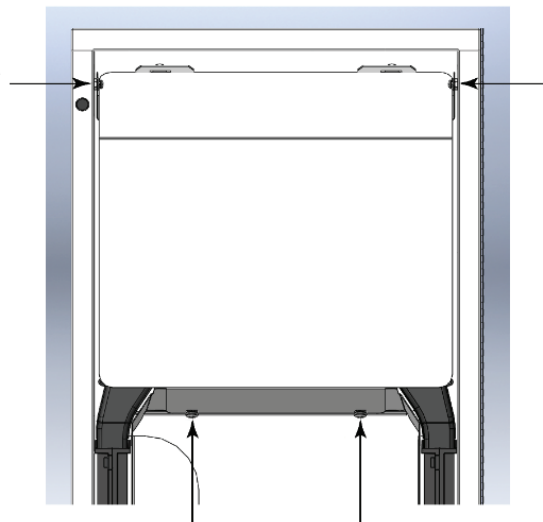
**MAINTENANCE:** 

**WARNING: Motor laminations are live. Turn electrical power supply off before doing any maintenance or service to dryer. Electrical power supply must be off unless dryer cover is secured.**

1. Turn electrical power supply on.
2. Position hands under air outlet, within 100mm (4") of air outlet

**Figure 4**

To remove dryer cover, remove two screws from the bottom of the Dryer and two from the sides, as shown in Figure 4.



opening.

3. If a fault develops, disconnect the electrical supply; a qualified electrician should be called.
4. There are no serviceable parts on the dryer. Return faulty dryer to manufacturer.

**NOTE:** If dryer is installed where there is a lot of dust and dirt in the air, the interior of the dryer should be cleaned out frequently.

**Spare Parts List:**

38030-23	Lock & Mtg. Plate Assy.
38030-29	Waste Receptacle 4"
38030-291	Waste Receptacle 8"
38030-300	Door Replacement Kit
38030-301	Support Rod Assy. Replacement Kit
38030-304	Lock & Key
38030-308	Activation Sensor Assy. Replacement Kit
38030-236	Dryer Assy. 230V
38030-292	Dryer Assy. 115V



**BUILDING VALUE SINCE 1906**

**In Europe: BOBRICK WASHROOM EQUIPMENT, LTD.**

2 The Hangar, Perseverance Works, 38 Kingsland Road, London, E2 8DD, UK  
• Tel: +44 (0)20 8366 1771 • Fax: +44 (0)20 8363 5794

**In the U.S.A.: BOBRICK WASHROOM EQUIPMENT, INC.**

6901 Tujunga Avenue, North Hollywood, California 91605-6213  
• Tel: (818) 764-10000 • FAX: 818-503-9941 or email [international@bobrick.com](mailto:international@bobrick.com)