

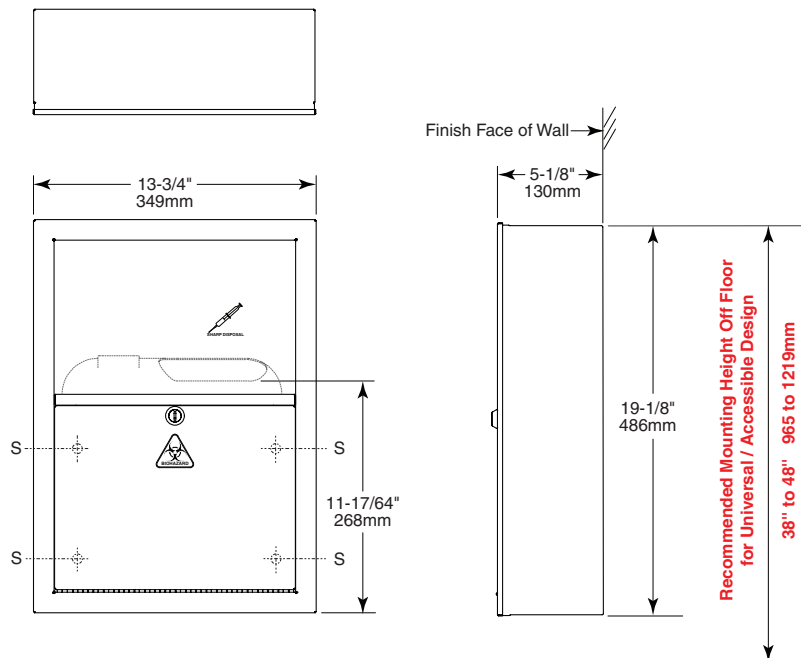


Technical Data

SURFACE-MOUNTED SHARPS DISPOSAL

B-350169

Not available in Canada



MATERIALS:

Cabinet — Heavy gauge stainless steel. All welded construction.

Door — 22 gauge stainless steel with exposed surfaces in #4 satin finish. Heavy-duty stainless steel piano-hinge. Tumbler lock keyed like other Bobrick accessories.

Flange — 22 gauge stainless steel beveled flange with exposed surfaces in #4 satin finish. One-piece seamless construction, 1" wide with ¼" return.

Skirt — 18-8, type-304, 22-gauge (0.8mm) stainless steel with satin-finish.

Container — BD Brand (Becton, Dickinson and Company) Sharps Collector, 5.4 Qt, part number 305443 (not furnished by manufacturer).

OPERATION:

Needle disposal unit installed/removed by locked hinged door. Needle disposal unit supplied by others. Door must open down 180° for installation /removal of needle disposal.

INSTALLATION:

Verify all rough-in dimensions prior to installation. Secure to framing with four mounting screws (not included) at holes provided. Shim at screw points as required.

SPECIFICATION:

Sharps disposal shall be fabricated of stainless steel with exposed surfaces in satin finish. Door secured by piano-hinge. Removable needle disposal with tumbler lock.

Surface-Mounted Sharps Disposal shall be Model B-350169 of Bobrick Washroom Equipment, Inc., Clifton Park, New York; Jackson, Tennessee; Los Angeles, California; Bobrick Washroom Equipment Company, Scarborough, Ontario; Bobrick Washroom Equipment Pty. Ltd., Australia; and Bobrick Washroom Equipment Limited, United Kingdom.