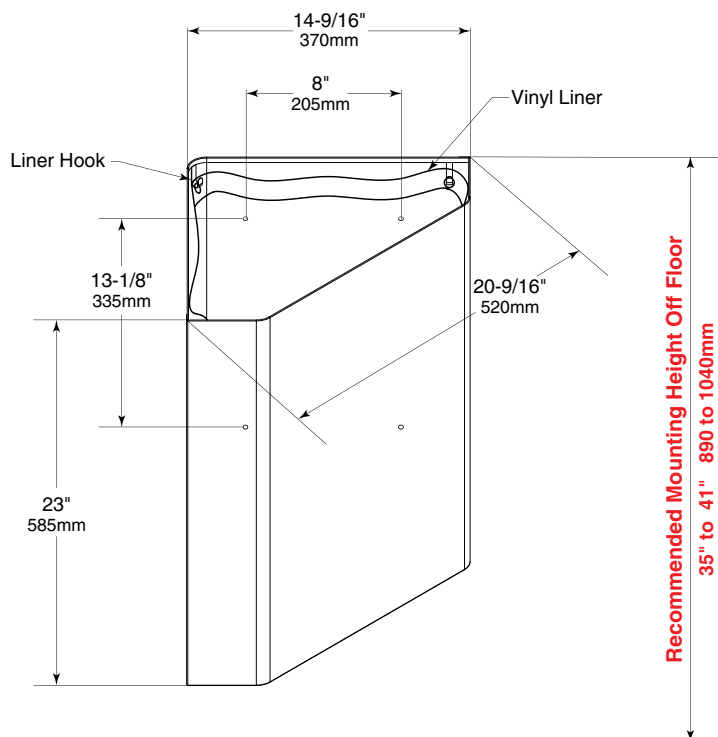


**BOBRICK****Technical Data****SURFACE-MOUNTED  
CORNER WASTE  
RECEPTACLE****B-268****MATERIALS:**

**Receptacle** — 18-8, type 304, 22 gauge (0.8mm) stainless steel with exposed surfaces satin finish. All-welded construction. Top and bottom edges hemmed. Equipped with three spot-welded interior hooks and two hooks adhered to the front for attaching the vinyl liner.

**Liner** — Heavy-gauge vinyl liner part no. 268-14 attaches to receptacle at five points through heat sealed grommet holes and is removable for servicing.

**OPERATION:**

Open top, wall-mounted corner waste receptacle has removable vinyl liner for easy servicing. Capacity: 1.8 cu. ft. (13.4 gallons).

**INSTALLATION:**

Surface-mounted on wall through 4 mounting holes on sides of unit. For installation on stud walls, secure with toggle bolts. For installation on solid walls, use rawl plugs or expansion bolts (not furnished by manufacturer).

**SPECIFICATION:**

Surface-mounted corner waste receptacle shall be constructed of type 304, 22 gauge (0.8mm) stainless steel with all-welded construction; exposed surfaces shall have satin finish. Top and bottom edges shall be hemmed for safety. Waste receptacle shall have three spot-welded interior hooks and two hooks adhered to the front for attaching the vinyl liner. Waste receptacle shall have a capacity of 1.8 cu. ft. (13.4 gallons) and be furnished with a vinyl liner.

**Surface-Mounted Corner Waste Receptacle shall be Model B-268 of Bobrick Washroom Equipment, Inc., Clifton Park, New York; Jackson, Tennessee; Los Angeles, California; Bobrick Washroom Equipment Company, Scarborough, Ontario; Bobrick Washroom Equipment Pty. Ltd., Australia; and Bobrick Washroom Equipment Limited, United Kingdom.**