



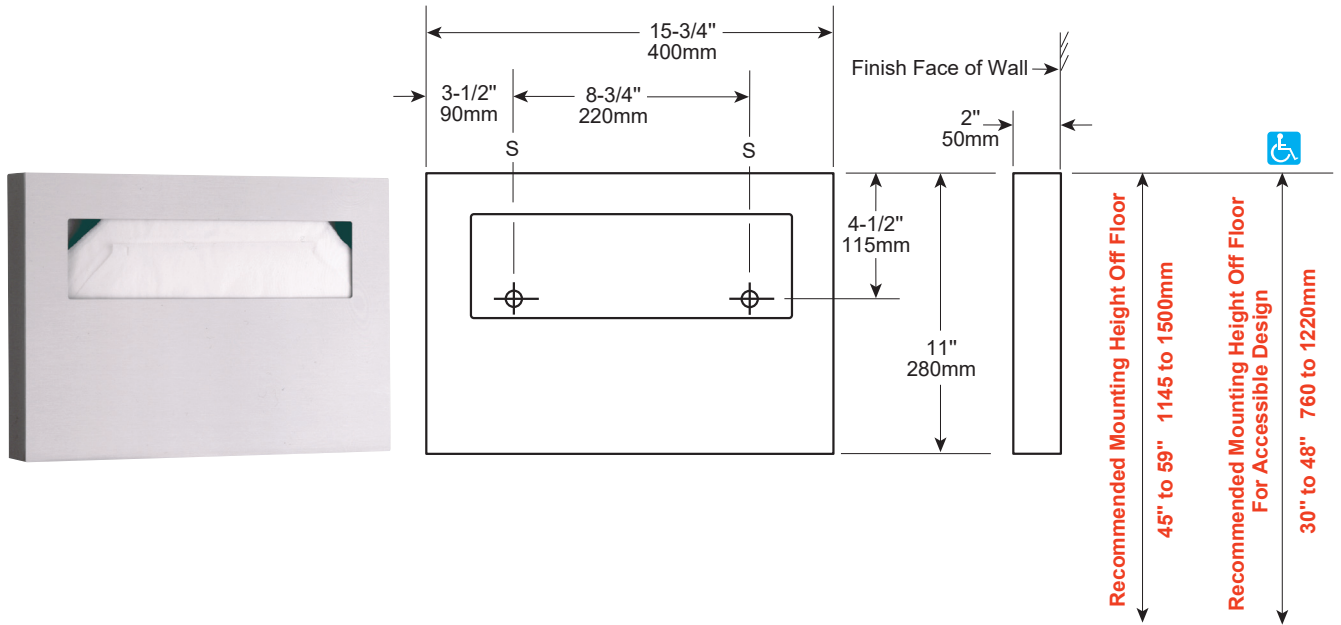
**Technical Data**

**ClassicSeries®  
SURFACE-MOUNTED  
SEAT-COVER DISPENSER**

**B-221**

**Specify Finish Required**

- Stainless Steel, Satin Finish
- Matte Black Finish, please use model no. B-221.MBLK



**MATERIALS:**

18-8, type-304, 22-gauge (0.8mm) stainless steel with satin finish. All-welded construction with beveled opening.

**OPERATION:**

Dispenses single- or half-fold paper toilet seat covers from beveled opening. Dispenser fills from bottom through concealed opening. Capacity: 250 toilet seat covers or one box.

**INSTALLATION:**

Mount unit on wall or toilet partition with two flat-head screws, not furnished by manufacturer, at points indicated by an S. For plaster or dry wall construction, provide concealed backing that complies with local building codes, then secure unit with flat-head screws not furnished. For other wall surfaces, provide fiber plugs or expansion shields for use with screws, not furnished, or provide 1/8" (3mm) toggle bolts or expansion bolts.

Note: Provide a 5" (125mm) minimum clearance from bottom of dispenser to top of any horizontal projection to provide room for filling dispenser from bottom.

**SPECIFICATION:**

Surface-mounted toilet-seat-cover dispenser shall be type-304, 22-gauge (0.8mm) stainless steel with all-welded construction; exposed surfaces shall have satin finish. Dispenser shall have a concealed opening in bottom for filling. Capacity shall be 250 paper toilet seat covers or one box.

**Surface-Mounted Seat-Cover Dispenser shall be Model B-221 of Bobrick Washroom Equipment, Inc., Clifton Park, New York; Jackson, Tennessee; Los Angeles, California; Bobrick Washroom Equipment Company, Scarborough, Ontario; Bobrick Washroom Equipment Pty. Ltd., Australia; and Bobrick Washroom Equipment Limited, United Kingdom.**