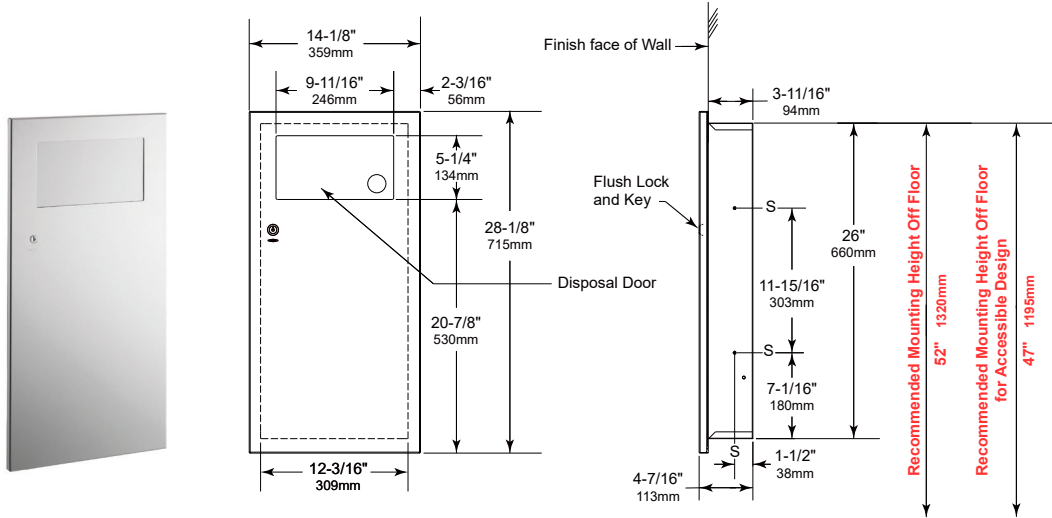




TrimLineSeries™ RECESSED WASTE RECEPTACLE WITH DISPOSAL DOOR

B-35633



Rough Wall Opening
 12-5/8" (321mm) wide
 26-1/2" (673mm) high
 3-3/4" (95mm) min depth

MATERIALS:

Cabinet — 18-8, Type-304, heavy-gauge stainless steel. All-welded construction. Exposed surfaces have satin-finish.

Door — 18-8, Type-304, 18-gauge (1.2mm) stainless steel with satin-finish. Secured to cabinet with a concealed, full-length stainless steel piano-hinge. Equipped with one tumbler lock keyed like other Bobrick washroom accessories. Tumbler lock flush with the door - no protrusion. Self-closing push door mounted on continuous stainless steel piano hinge.

Disposal Door — 18-8, Type-304, heavy-gauge stainless steel with satin finish. Secured to cabinet with spring-loaded, full length stainless steel piano hinge. Equipped with International graphic symbol identifying waste disposal.

Waste Receptacle — 18-8, Type-304, heavy-gauge stainless steel. All-welded construction. Removable for servicing. Capacity: 3-gal. (11.3-L).

OPERATION:

To service waste receptacle, unlock door with key provided and remove waste container. Cable door-swing limiter prevents damage to washroom accessories and walls.

INSTALLATION:

Provide framed rough wall opening 12-5/8" wide x 26-1/2" high (321 x 673mm). Minimum recessed depth required from finish face of wall is 3-3/4" (95mm). Allow clearance for construction features that may protrude into rough wall opening from opposite wall. Coordinate with mechanical engineer to avoid pipes, vents, and conduits in wall. Mount cabinet with shims between framing and cabinet at all points indicated by an S, then secure unit with (4) #10 x 1-1/4" (4.8 x 32mm) sheet-metal screws (not furnished).

Replacement Parts:

Skirt Replacement Kit	35639-53
Door Replacement Kit	35639-173
Waste Receptacle Replacement Kit	35639-83

SPECIFICATION:

Recessed waste receptacle with disposal door shall be Type-304 stainless steel with all-welded construction; exposed surfaces shall have satin finish. Door shall be Type-304, 18 gauge (1.2mm) secured to cabinet with a concealed, full-length stainless steel piano-hinge, cable door-swing limiter and equipped with a tumbler lock keyed like other Bobrick washroom accessories. Tumbler lock flush with the door - no protrusion. Waste receptacle shall be Type-304, heavy-gauge stainless steel. All-welded construction with a capacity of 3-gal. (11.3-L).

Recessed Waste Receptacle with Disposal Door shall be Model B-35633 of Bobrick Washroom Equipment, Inc., Clifton Park, New York; Jackson, Tennessee; Los Angeles, California; Bobrick Washroom Equipment Company, Scarborough, Ontario; Bobrick Washroom Equipment Pty. Ltd., Australia; and Bobrick Washroom Equipment Limited, United Kingdom.