



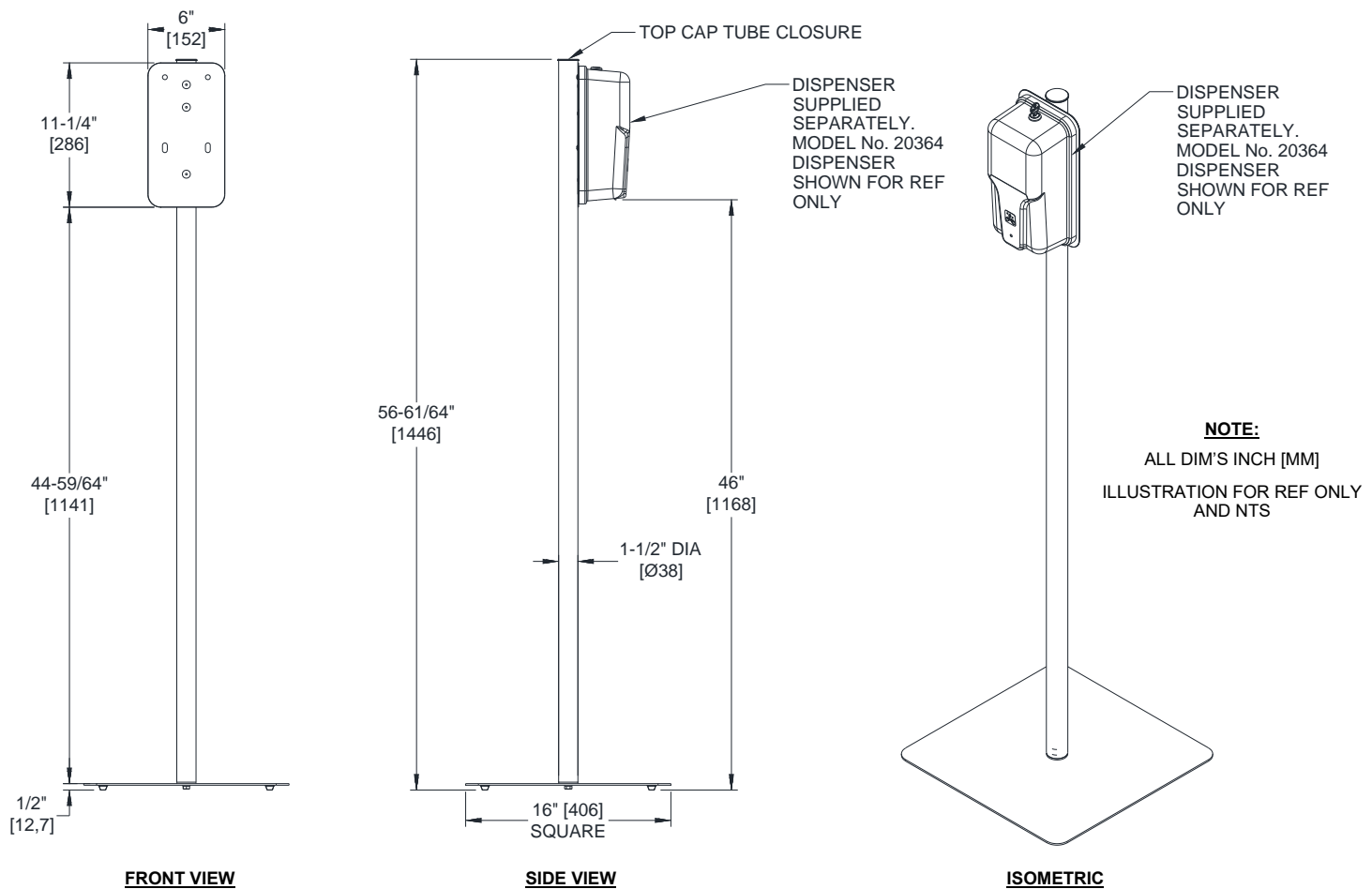
AMERICAN SPECIALTIES, INC.
441 Saw Mill River Road, Yonkers, NY 10701
(914) 476.9000 • (914) 476.0688
www.americanspecialties.com

MODEL No: FS-0300

ISSUED: 17 APR 2020

REVISED:

HAND SANITIZER DISPENSER STAND



SPECIFICATION

Hand Sanitizer Dispenser Stand shall be stainless steel type 304 alloy 18-8 and shall be free standing to enable placement by Facility Manager/Owner in any convenient location desired to serve occupant/visitor traffic. Base has heavy duty rubber feet that prevent sliding. Universal mounting plate shall have patterns with mounting holes to accommodate dispenser units 20364 and 20365 and flat surface to allow tape mounting of units 0361 and 0362 (purchased separately) on same plate, one at a time, presented with operating features below 2010 ADA Accessibility Standards max reach range. Stand base shall be 11 gage [3], post shall be 1-1/2" Dia. x 18 gage tube [Ø38 x 1,2] and mounting plate shall be 18 gage [1,2] with all edges rounded for user safety. Unit is shipped KD for convenience and is easy to quickly assemble with all hardware supplied. Step by step instruction sheet is provided.

Hand Sanitizer Dispenser Stand shall be Model № FS-0300 as manufactured by American Specialties, Inc., 441 Saw Mill River Road, Yonkers, NY 10701-4913

ASSEMBLY & INSTALLATION

Single center bolt into concealed tube mounting fitting holds post locked to base. Hardware is provided to assemble any one of the listed dispensers to the mounting plate. A label is provided with applicable listed dispenser units for owner to apply to dispenser to indicate sanitizer operation. When assembly is completed no fasteners are visible on exposed dispenser surfaces. Unit should be placed in location to maximize access by pedestrian traffic and not interfere with any accessible route clearances.

OPERATION

Sanitizer Dispenser Stand provides stable, tip & skid resistant location for sanitizer dispenser convenient to visitor and facility occupant traffic flow. Locked dispenser housing (purchased separately) prevents unauthorized access or removal of the dispenser from the stand.