



AMERICAN SPECIALTIES, INC.
 441 Saw Mill River Road, Yonkers, NY 10701
 (914) 476.9000 • (914) 476.0688
 www.americanspecialties.com

MODEL №: FS-0300

ISSUED: 17 APR 2020

REVISED:

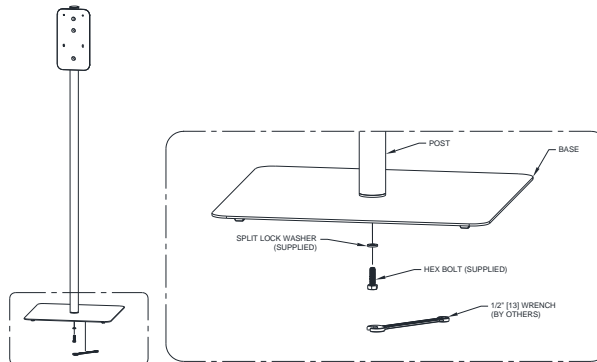
HAND SANITIZER DISPENSER STAND ASSEMBLY INSTRUCTIONS

ASSEMBLY & INSTALLATION

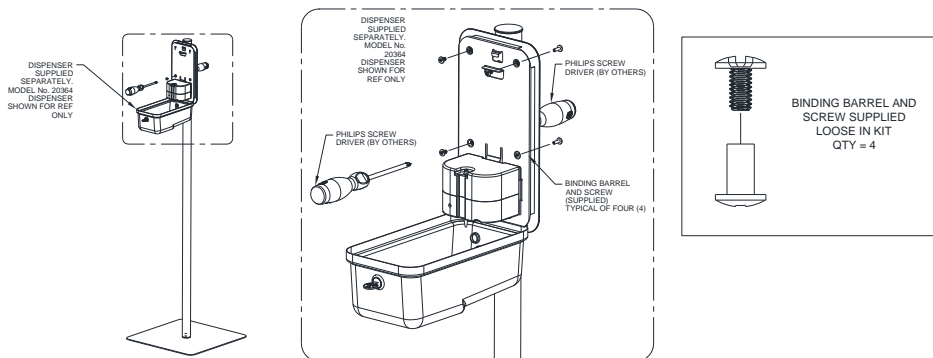
Lock post to base with one (1) 5/16" -18 x 1" hex bolt (supplied) using a 1/2" [13] wrench (by others), as seen on detail A. Secure dispenser, either Model № 20364, or 20365 (supplied separately) to the stand mounting plate (factory installed) with four (4) screw-posts (supplied) through concealed mounting holes in the dispenser back (see Detail B and Detail C) with two (2) Philips screw drivers (by others) into binding barrels (supplied) inserted from behind the mounting plate (see detail C). Alternatively, for Dispenser Model №'s 0361 or 0362, double sided tape is provided with dispenser for mounting on flat surface of plate. Ensure that mounting plate is cleaned with Isopropanol prior to pressing dispenser with tape previously adhered to plate. Follow detailed installation instructions provided in dispenser Owner Manual (OM) provided with dispenser.

When assembly is completed no fasteners are visible on exposed dispenser surfaces. See dispenser OM for set up and operation instructions.

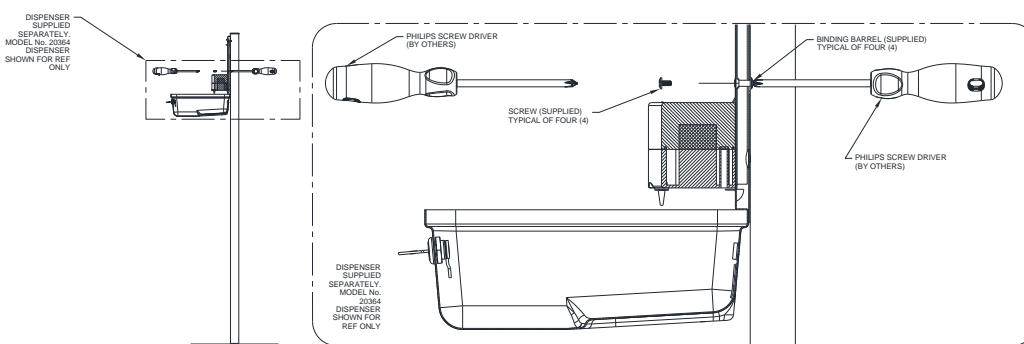
Unit should be placed in location to maximize access by pedestrian traffic and to not interfere with any accessible route clearances.



DETAIL A



DETAIL B



DETAIL C