



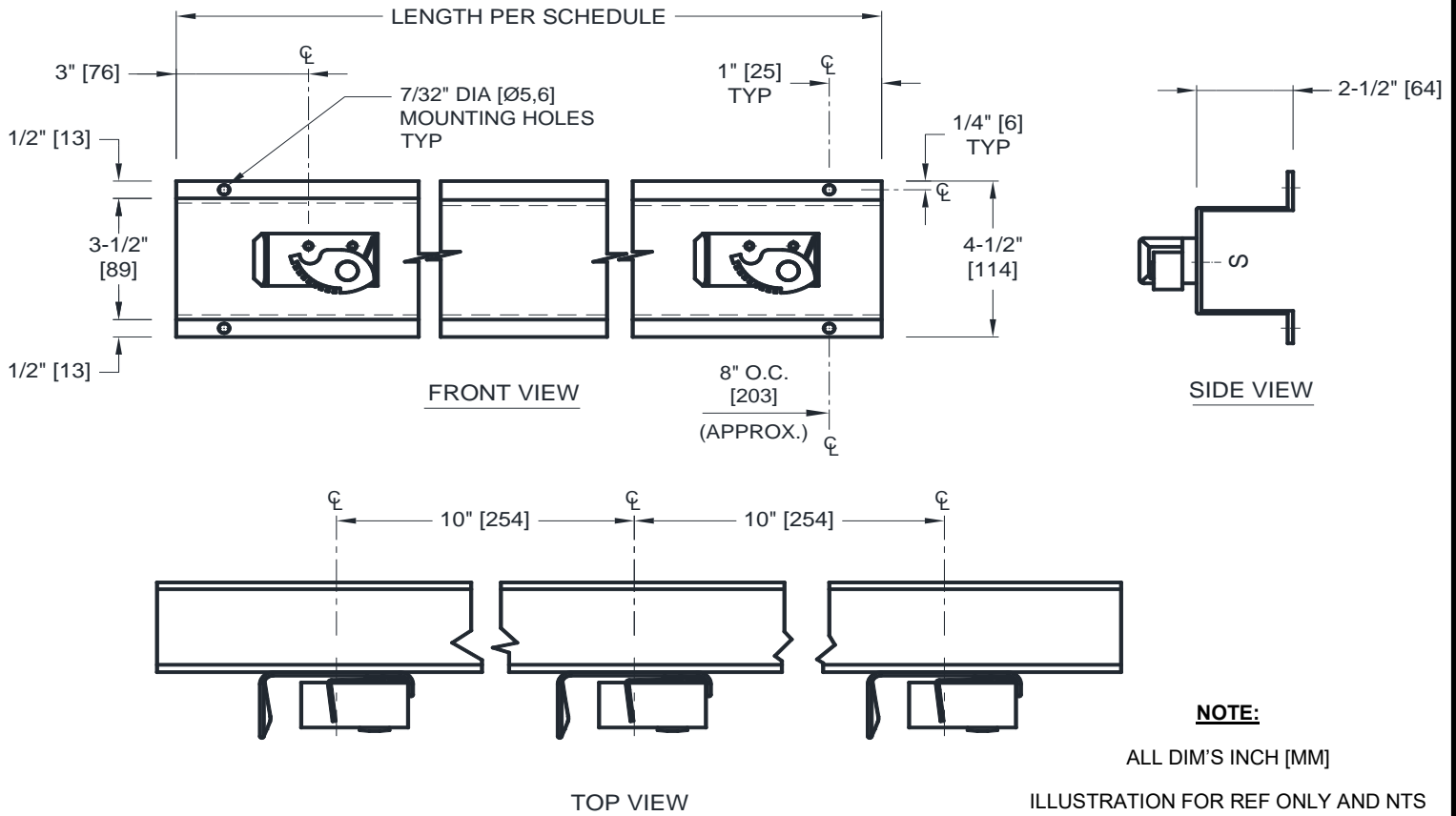
AMERICAN SPECIALTIES, INC.
 441 Saw Mill River Road, Yonkers, NY 10701
 (914) 476.9000 • (914) 476.0688
 www.americanspecialties.com

MODEL №: 8215

ISSUED: 01-87

REVISED: 10 APR 2019

MOP AND BROOM HOLDER RACK



SCHEDULE OF AVAILABILITY		
ASI MODEL №	LENGTH	MOP HOLDER QUANTITY
8215-3	26" [660]	3
8215-4	36" [914]	4
8215-5	46" [1168]	5

SPECIFICATION

Mop and Broom Holder Rack shall be 20 gauge type 304 stainless steel alloy 18-8 one-piece hat channel with satin finish. Mop holder brackets shall be cadmium-plated steel and shall be ribbed for strength. Each mop holder shall have a pivoting spring loaded serrated rubber cam that shall hold round handles of 7/8" to 1-1/4" diameter [Ø22 to Ø32] wedged against ribbed clamp plate. Each mop holder shall support up to 10 lbs. (4.54 kg.).

Mop and Broom Holder Rack shall be Model № 8215-___ (-3, -4 or -5) as manufactured by American Specialties, Inc., 441 Saw Mill River Road, Yonkers, NY 10701-4913

INSTALLATION

For general utility mount rack 70" [1778] above finished floor (AFF) from bottom of rack with № 10 pan head self-threading screws (by others) through holes provided. For compliance with 2010 ADA Accessibility Standards install unit so that top of rack is 48" [1219] maximum AFF if clear floor reach access is provided.

OPERATION

Mop or broom handle is pushed into grip-jaw of pivoting serrated rubber cam with upward motion until it seats behind rib on clamp plate. Spring holds cam against handle. Gravity holds mop clamped in position.