



AMERICAN SPECIALTIES, INC.

441 Saw Mill River Road, Yonkers, NY 10701 (914) 476-9000
www.americanspecialties.com

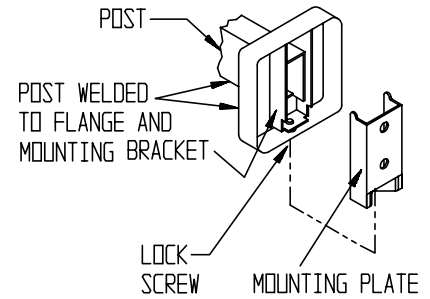
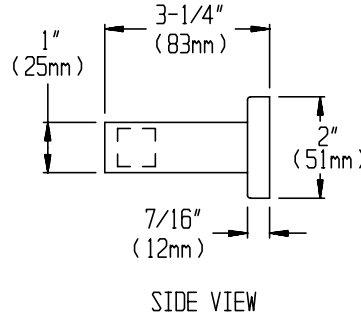
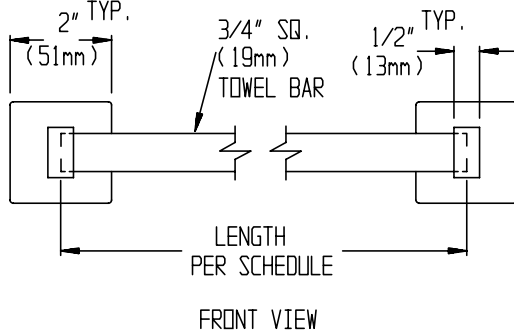
MODEL No: 7360

ISSUED: 1-87

REVISED: 1-06

SQUARE TOWEL BAR

Specify Finish Required → -B = Bright Stainless Steel
 -S = Satin #4 Stainless Steel



CONCEALED MOUNTING DETAIL

SPECIFICATION

Square Towel Bar shall be fabricated of stainless steel alloy 18-8, type 304. Shelf posts shall be 1/2" x 1" (13mm x 25mm) rectangular tubing with formed mounting flange and bracket welded on end. Bar shall be 3/4" (19mm) square tubing and shall be held in receiver holes in support posts. Mounting plates shall be included and shall be 18 gauge. Stainless steel setscrews shall be provided on bottom perimeter of flanges to lock unit to mounting plates. Surface finish shall be bright or satin as chosen by option and indicated by code suffix. Length shall be as chosen from schedule and indicated by code suffix.

Square Towel Bar shall be Model N° 7360-B __ or N° 7360-S __ of American Specialties, Inc., 441 Saw Mill River Road, Yonkers, New York 10701-4913

INSTALLATION

Surface mount unit on wall using N° 10 self tapping screws (by others) through holes provided in mounting plates into suitable prepared mountings (by others) or other suitable mounting hardware (by others) to suit wall conditions. Hang post and flange assemblies on mounting plates with bar captured and tighten setscrews to lock unit to plates. For compliance with ICC/ANSI A-117.1-2003 and ADA Accessibility Guidelines install unit with top of towel rod 48" (1219mm) maximum above finished floor (MAX AFF) if clear floor forward reach or if clear floor side reach access only is provided or 46" (1168mm) MAX AFF if side reach access over an obstruction (e.g. vanity) with reach depth greater than 10" (254mm) and less than 25" (635mm) is only provided or 44" (1118mm) MAX AFF if forward reach over an obstruction (e.g. commode) with reach depth greater than 20" (508mm) and less than 25" (635mm) is only provided. For general utility install towel rod with centerline of mounting plates at 55" (1397mm) AFF.

LENGTHS AND FINISHES x MODEL N°		
LENGTH	MODEL N°	
	Bright	Satin
18" (457mm)	7360-B18	7360-S18
24" (610mm)	7360-B24	7360-S24
30" (762mm)	7360-B30	7360-S30

Accessory Specialties

AMERICAN DISPENSER

Desert Ray Products

WATROUS inc.

THIS MANUFACTURER RESERVES THE RIGHT TO MAKE CHANGES IN DESIGN OR DIMENSIONS WITHOUT FORMAL NOTICE